

T304 Black Plastic Handle Butterfly Valve



Multiple Positions, EPDM Seat, GREAT PRICE, Repair Kits

Features of the Black Plastic Handle Clamp Butterfly Valve:

T304

Polish to 32Ra

Heat Number

100% Hydraulic Pressure Test

Interchangeable Handle to either side

Operating Temperature: 15°F to 195°F

EPDM Standard-- Other Seats: Silicone or Viton®

Maximum Operating Pressure: 85 psi.

No special Tools/Field Serviceable

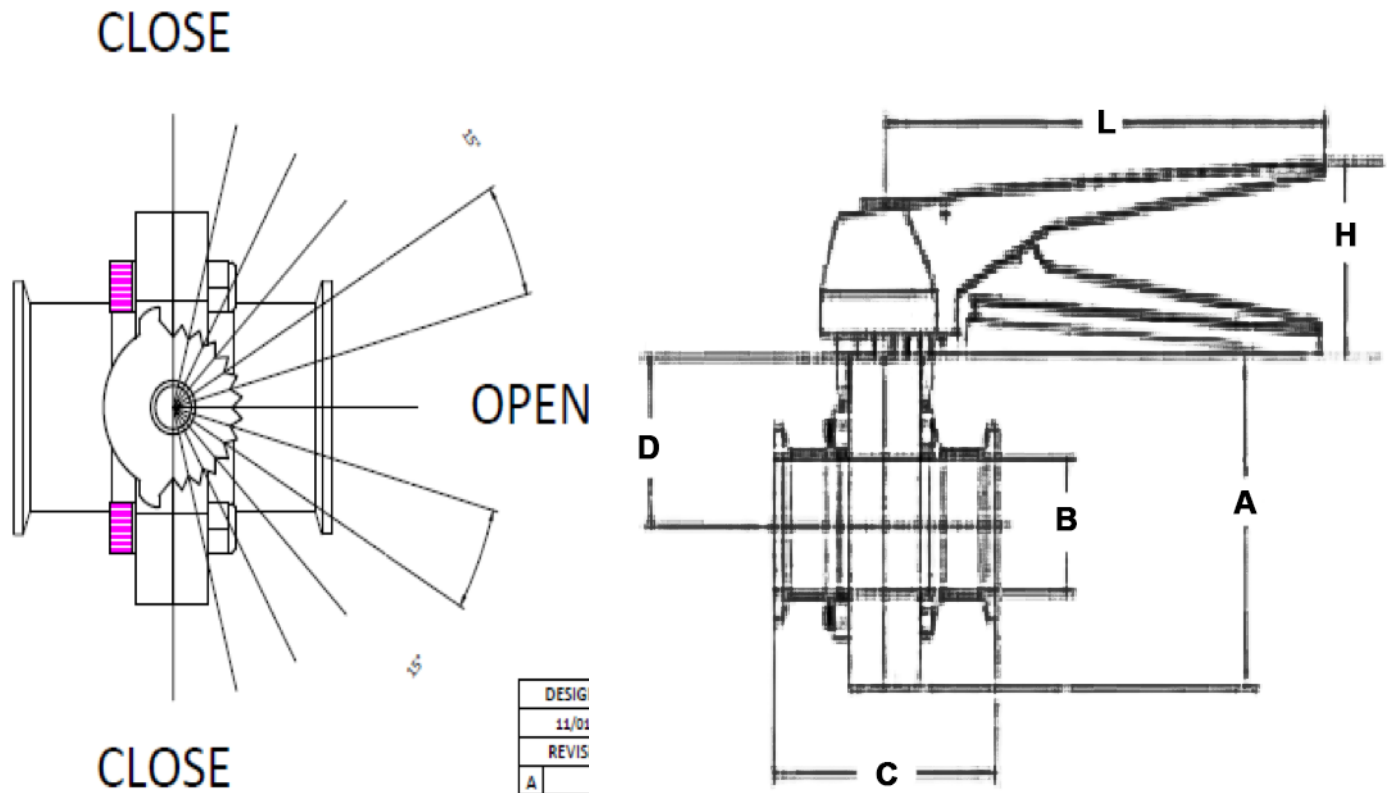
Repair Kits: Seat & Bushings (in stock)

www.sanitarysolutions.com

Sanitary Solutions Inc. 1-888-909-3569 or 1-855-640-7871

Prices are subject to change without notice; please call before you quote

T304 Black Plastic Handle Butterfly Valve Dimensions



| <u>Size</u> | <u>A</u> | <u>B</u> | <u>C</u> | <u>D</u> | <u>H</u> | <u>L</u> | <u>Torque In lbs.</u> | <u>PSI</u> | <u>Weight</u> |
|-------------|----------|----------|----------|----------|----------|----------|---------------------------|------------|---------------|
| 1" | 3.500 | 1.000 | 3.500 | 1.750 | 2.165 | 6.102 | 75 | 140 | 2.50 |
| 1.5" | 3.750 | 1.500 | 3.500 | 1.750 | 2.165 | 6.102 | 130 | 140 | 1.70 |
| 2" | 4.370 | 2.000 | 3.688 | 1.940 | 2.165 | 6.102 | 165 | 140 | 3.20 |
| 2.5" | 4.750 | 2.500 | 3.750 | 1.875 | 2.165 | 6.102 | 210 | 110 | 4.60 |
| 3" | 5.250 | 3.000 | 4.067 | 2.034 | 2.165 | 6.102 | 350 | 110 | 5.80 |
| 4" | 6.380 | 4.000 | 4.750 | 2.375 | 2.165 | 6.102 | 540 | 85 | 10.10 |

T304 Black Plastic Handle Butterfly Valve Part Number:

SSBFVPE-SIZE-T304

www.sanitarysolutions.com

Sanitary Solutions Inc. 1-888-909-3569 or 1-855-640-7871

Prices are subject to change without notice; please call before you quote