

Four Position Clamp Butterfly Valve

T316L, 1"—8" Sizes in Stock

**Four Positions for throttling
and lesser wear on seat**



Features of the Four Position Clamp Butterfly Valve:

Sizes: 1"—8" (in stock)

Operating temperature: 15°F to 195°F

100% Hydraulic Pressure Tested

Seat: EPDM(Standard) Silicone, Viton®

Polish: 32Ra or better on wet surfaces

Field Serviceable

Repair Kits in STOCK

www.sanitarysolutions.com

Sanitary Solutions Inc. 1-888-909-3569 or 1-855-640-7871

Prices are subject to change without notice; please call before you quote

Four Position Clamp Butterfly Valve Dimensions:

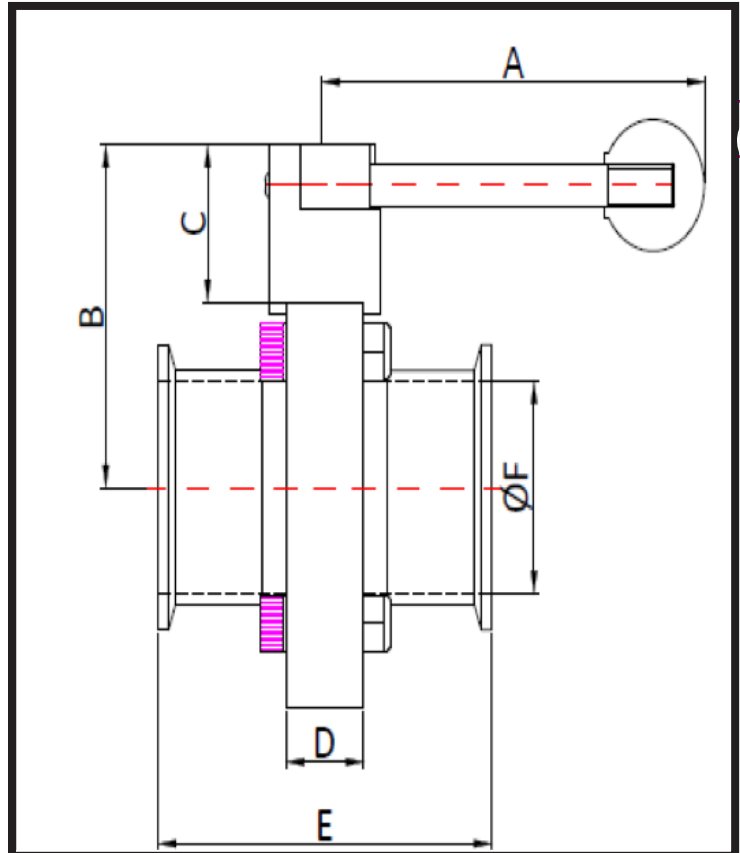
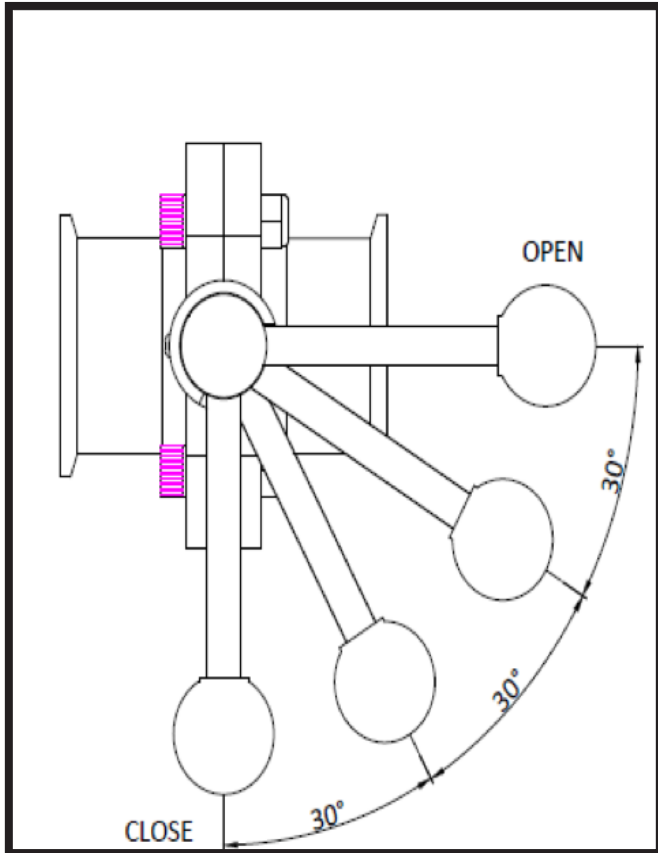


Chart below is based on 68°F Ambient Temperature

Size	A	B	C	D	E	F	Torque in-lbs	PSI	Weight
1"	4.409	2.799	1.358	0.866	3.512	0.874	20	140	3.90
1.5"	4.409	2.799	1.358	0.866	3.512	1.370	40	140	3.20
2"	4.409	3.098	1.358	0.866	3.700	1.870	55	140	4.30
2.5"	4.409	3.500	1.358	0.866	3.825	2.370	70	110	6.30
3"	6.221	3.799	1.339	1.181	4.050	2.866	165	110	6.70
4"	6.221	4.500	1.339	1.181	4.819	3.830	350	85	10.80
6"	11.02	5.382	1.406	1.181	5.512	5.780	700	60	18.00
8"	18.307	8.299	1.406	1.181	3.545	7.780	N/A	60	27.5

Four Position Butter ly Part Number Example:

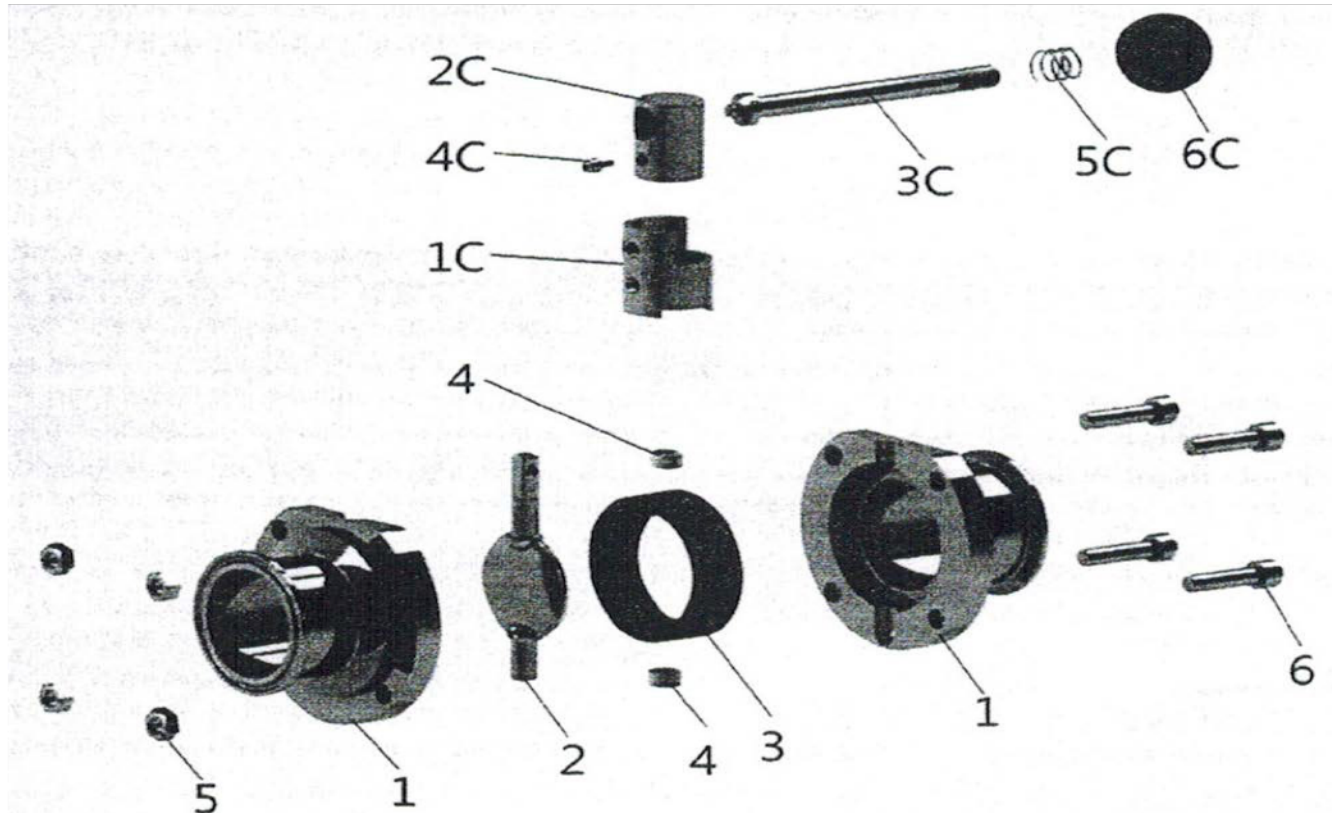
SSBFVF-SIZE-316L

www.sanitarysolutions.com

Sanitary Solutions Inc. 1-888-909-3569 or 1-855-640-7871

Prices are subject to change without notice; please call before you quote

Four Position Clamp Butterfly Valve Material List



Item	Description	Material	Quantity
Pull Handle			
1C	hub housing	CF8	1
2C	hub	CF8	1
3C	handle shaft	304	1
4C	hex socket screw	304	1
5C	spring	304	1
6C	knob	polymer	1
Valve			
1	body	316L	2
2	disc	316L	1
3	seat	silicone	1
		EPDM	
		FKM	
4	bushing	polyacetal	2
5	hex nut	304	4
6	bolt	304	4
6W	optional wing nut	304	4

www.sanitarysolutions.com

Sanitary Solutions Inc. 1-888-909-3569 or 1-855-640-7871

Prices are subject to change without notice; please call before you quote