

# Bar-ette™ Basket Strainer

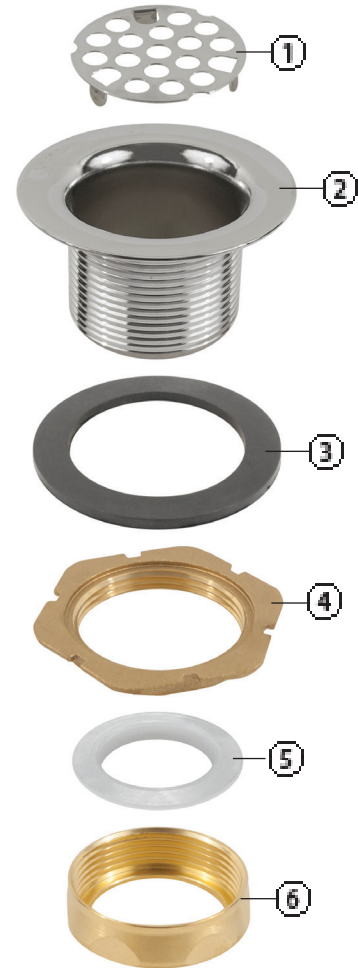
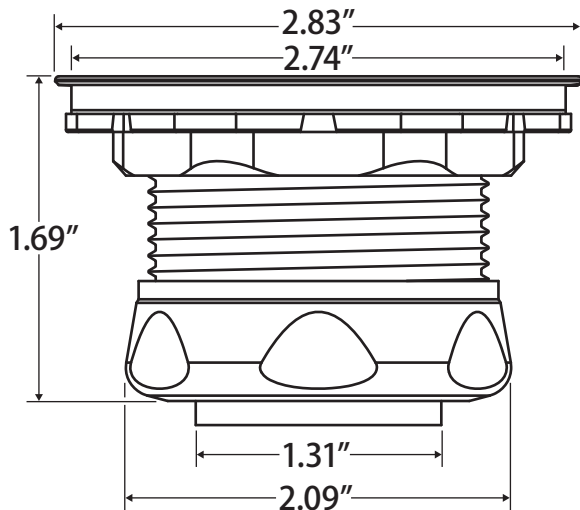
## Chrome Plated Brass Bar Sink Strainer



**SS-310**

To prevent unwanted clogs and blockages, the Bar-ette™ strainer features a stainless steel grill. Models come in either a chrome plated brass or brushed stainless steel finish with a standard brass tail nut. This strainer fits most standard bar sinks openings.

Fits sinks which have a thickness between 1/16" and 3/4"



No.	Materials	
	300-102	300-020CLAM*
1 Strainer	Chrome Plated SS304	Brushed SS304
2 Body	Chrome Plated Brass	Brushed SS304
3 Rubber Washer	BUNA-N	
4 Lock Nut	Brass	
5 Seal Ring	Polyethylene	
6 Tail Nut	Brass	

\*Sold in a clamshell package shown above  
Note: All models include friction ring



**WARNING:** This product can expose you to chemicals including lead, which is known to the State of California to cause cancer, and lead, which is known to the State of California to cause birth defects or other reproductive harm. For more information go to [www.P65Warnings.ca.gov](http://www.P65Warnings.ca.gov).