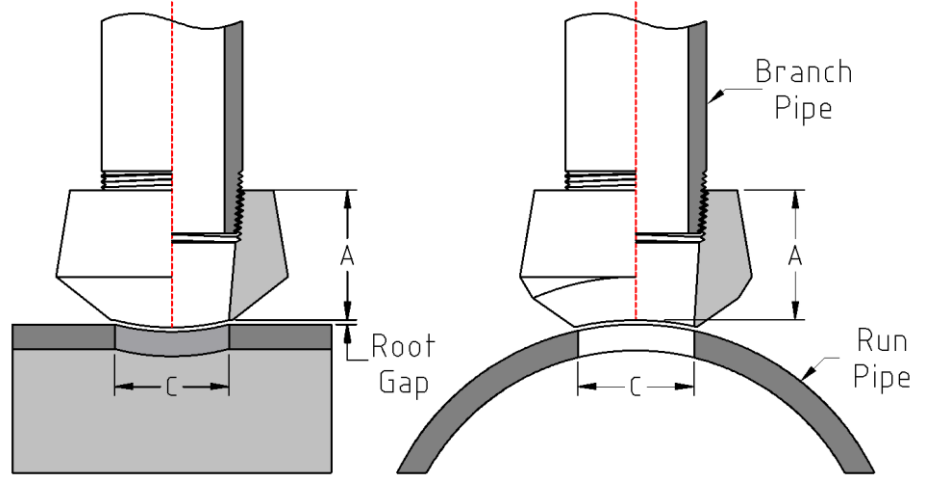




Threaded Outlets
Forged Steel
Inches / Pounds



| Outlet Size (NPS) | Dimensions | | | | | |
|-------------------|------------|-------|--------------|------------|-------|--------------|
| | Class 3000 | | | Class 6000 | | |
| | A | C | Weight (lbs) | A | C | Weight (lbs) |
| 1/8 | 3/4 | 0.328 | 0.07 | 1-1/8 | 0.157 | 0.15 |
| 1/4 | 3/4 | 0.438 | 0.12 | 1-1/8 | 0.250 | 0.30 |
| 3/8 | 13/16 | 0.563 | 0.16 | 1-1/8 | 0.359 | 0.30 |
| 1/2 | 1 | 0.703 | 0.21 | 1-1/4 | 0.464 | 0.42 |
| 3/4 | 1-1/16 | 0.906 | 0.36 | 1-7/16 | 0.612 | 0.71 |
| 1 | 1-5/16 | 1.141 | 0.59 | 1-9/16 | 0.815 | 1.25 |
| 1 1/4 | 1-5/16 | 1.469 | 0.84 | 1-5/8 | 1.160 | 1.53 |
| 1 1/2 | 1-3/8 | 1.688 | 1.00 | 1-11/16 | 1.338 | 1.91 |
| 2 | 1-1/2 | 2.188 | 1.72 | 2-1/16 | 1.687 | 4.83 |
| 2 1/2 | 1-13/16 | 2.563 | 2.90 | 2-11/16 | 2.125 | 6.19 |
| 3 | 2 | 3.188 | 4.24 | 2-11/16 | 2.624 | 7.36 |
| 3 1/2 | 2-1/8 | 3.688 | 4.40 | — | — | — |
| 4 | 2-1/4 | 4.188 | 6.91 | 3-5/16 | 3.438 | 14.02 |
| 5 | 2-5/8 | 5.275 | 9.46 | 3-11/16 | 4.313 | 20.03 |
| 6 | 2-11/16 | 6.313 | 14.03 | 4-1/8 | 5.187 | 29.36 |

* Dimensions conform to ASME B31.1 and MSS-SP-97.