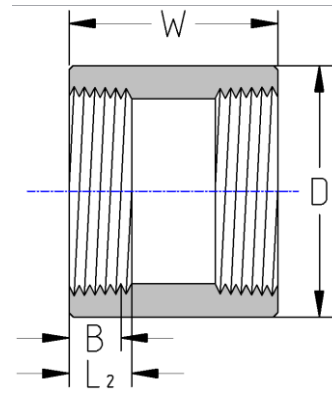




Threaded Full Coupling  
**6000# Forged Steel**  
Inches / Pounds



Size	D	W	B**	L <sub>2</sub> **	Approximate Weight (in Pounds)
1/8	0.88	1.25	0.25	0.2639	0.18
1/4	1.00	1.38	0.32	0.4018	0.23
3/8	1.25	1.50	0.36	0.4078	0.40
1/2	1.50	1.88	0.43	0.5337	0.69
3/4	1.75	2.00	0.50	0.5457	0.95
1	2.25	2.8	0.58	0.6828	1.92
1 1/4	2.50	2.62	0.67	0.7068	2.30
1 1/2	3.00	3.12	0.70	0.7235	3.75
2	3.62	3.38	0.75	0.7565	5.37

**\*ASME B16.11**

**\*\*Dimension B is minimum length of perfect thread. The length of useful thread (B plus threads with fully formed roots and flat crests) shall not be less than L<sub>2</sub> (effective length of external thread) required by ASME B1.20.1**