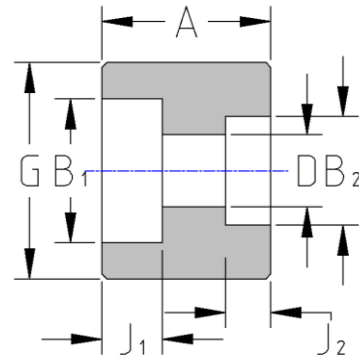




Socket Weld Reducing Coupling  
**6000# Forged Steel**  
Inches / Pounds



Size	A	G	Approximate Weight (in Pounds)
1/2 x 1/4	1.88	1.00	
1/2 x 3/8	1.88	1.25	
3/4 x 1/8	2.00	0.88	0.56
3/4 x 1/4	2.00	1.00	0.56
3/4 x 3/8	2.00	1.25	0.56
3/4 x 1/2	2.00	1.50	0.56
1 x 1/4	2.80	1.00	1.0
1 x 3/8	2.80	1.25	1.0
1 x 1/2	2.80	1.50	1.0
1 x 3/4	2.80	1.75	1.0
1 1/4 x 1/2	2.62	1.50	1.5
1 1/4 x 3/4	2.62	1.75	1.5
1 1/4 x 1	2.62	2.25	1.5
1 1/2 x 1/4	3.12	1.00	2.0
1 1/2 x 3/8	3.12	1.25	2.0
1 1/2 x 1/2	3.12	1.50	2.0
1 1/2 x 3/4	3.12	1.75	2.0
1 1/2 x 1	3.12	2.25	2.0
1 1/2 x 1 1/4	3.12	2.50	2.0
2 x 1/2	3.38	1.50	3.88
2 x 3/4	3.38	1.75	3.88
2 x 1	3.38	2.25	3.88
2 x 1 1/4	3.38	2.50	3.88
2 x 1 1/2	3.38	3.00	3.88

**\*ASME B16.11**

**\*\*Dimensions B, J are in accordance with ASME B16.11 with respect to the size. Dimension D is in accordance with ASME B16.11 with respect to the smaller end.**