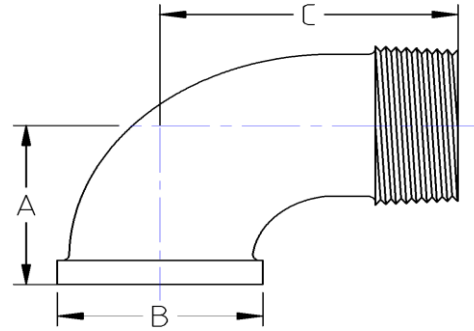




Threaded Street 90° Elbow  
Std Pattern  
**150# Cast Stainless Steel**  
Inches / Pounds



Nominal Pipe Size	Center to End (A)	Outside Diameter (B)	Center to End (C)	Approx. Weight (in Pounds)
1/8"	0.67	0.63	1.02	0.04
1/4"	0.75	0.75	1.16	0.07
3/8"	0.90	0.89	1.56	0.11
1/2"	1.12	1.11	1.68	0.19
3/4"	1.20	1.38	1.83	0.29
1"	1.44	1.69	2.09	0.51
1-1/4"	1.70	2.04	2.50	0.73
1-1/2"	1.89	2.32	2.72	1.03
2"	2.22	2.82	3.35	1.75
2-1/2"	2.64	3.55	4.13	2.8
3"	3.01	4.19	4.43	4.0
4"	3.73	5.27	5.01	6.0

***\*The material composition and quality comply with ASTM A351/A351M "Standard Specification for Castings, Austenitic, for Pressure-Containing Parts"***

***\*NPT Threads on all fittings conform to ASME B1.20.1***