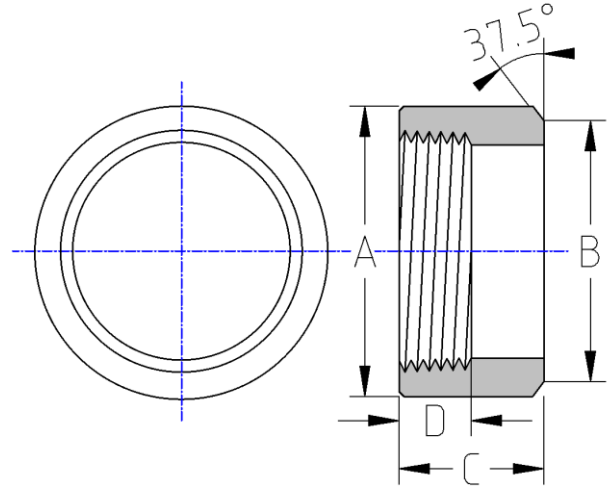




Threaded Half Coupling
Std Pattern
150# Cast Stainless Steel
Inches / Pounds



Nominal Pipe Size	Outside Diameter (A)	Diameter of Bevel (B)	End to End (C)	Internal Thread Length (D)	Approx. Weight (in Pounds)
1/8"	0.55	0.45	0.50	0.31	0.03
1/4"	0.73	0.61	0.50	0.39	0.05
3/8"	0.85	0.75	0.56	0.43	0.07
1/2"	1.05	0.91	0.69	0.57	0.13
3/4"	1.25	1.10	0.75	0.59	0.17
1"	1.56	1.40	0.81	0.67	0.27
1-1/4"	1.91	1.73	1.00	0.83	0.42
1-1/2"	2.17	1.99	1.06	0.83	0.53
2"	2.62	2.40	1.25	0.94	0.80
2-1/2"	3.33	2.99	1.44	1.18	1.69
3"	3.96	3.60	1.59	1.22	2.3
4"	5.10	4.72	1.84	1.42	4.0

****The material composition and quality comply with ASTM A351/A351M "Standard Specification for Castings, Austenitic, for Pressure-Containing Parts"***

****NPT Threads on all fittings conform to ASME B1.20.1***