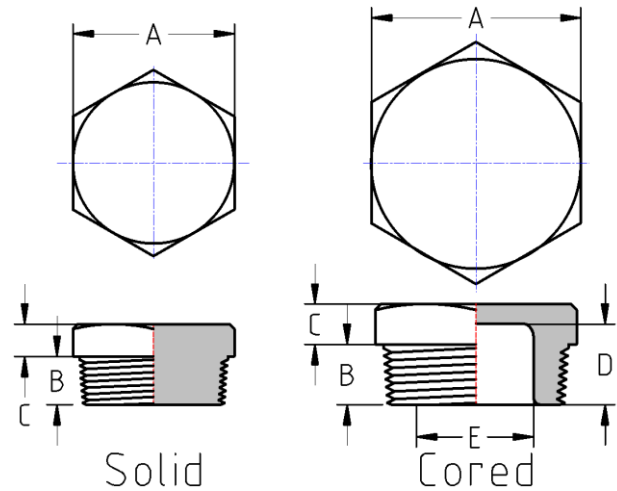




Threaded Hex Head Plug
Std Pattern
150# Cast Stainless Steel
Inches / Pounds



Nominal Pipe Size	Head Shape	Nominal Width Across Flats (A)	Thread Length Min. (B)	Height of Head (C)	Height of Core (D)	Diameter of Core (E)	Approx. Weight (in Pounds)
1/8"	Hex	0.54	0.46	0.25	Solid		0.03
1/4"	Hex	0.64	0.66	0.25	Solid		0.06
3/8"	Hex	0.82	0.69	0.24	0.79	0.37	0.08
1/2"	Hex	1.02	0.79	0.27	0.92	0.58	0.11
3/4"	Hex	1.26	0.80	0.28	0.99	0.72	0.17
1"	Hex	1.50	1.00	0.34	1.24	1.05	0.24
1-1/4"	Hex	1.81	1.02	0.37	1.28	1.41	0.34
1-1/2"	Hex	2.03	1.02	0.4	1.33	1.57	0.48
2"	Hex	2.56	1.00	0.46	1.35	2.01	0.72
2-1/2"	Octagonal	3.15	1.43	0.48	1.77	2.36	1.35
3"	Octagonal	3.74	1.48	0.51	1.77	3.01	1.92
4"	Octagonal	4.76	1.46	0.57	1.79	4.00	2.7

****The material composition and quality comply with ASTM A351/A351M "Standard Specification for Castings, Austenitic, for Pressure-Containing Parts"***

****NPT Threads on all fittings conform to ASME B1.20.1***