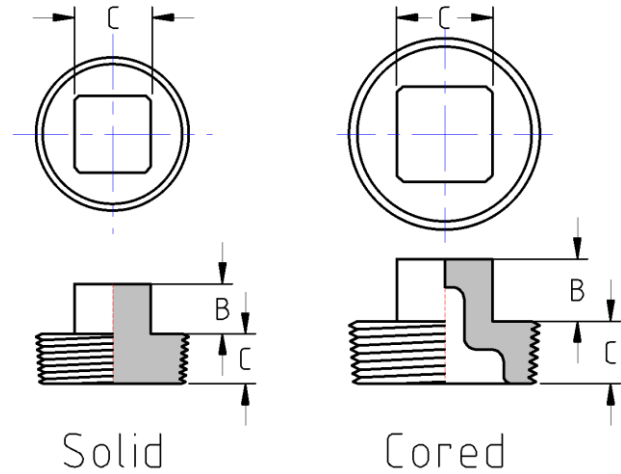




Threaded Square Head Plug
MSS SP-114 Pattern
150# Cast Stainless Steel
Inches / Pounds



Nominal Pipe Size	Thread Length Min. (A)	Height of Square Min. (B)	Nominal Width Across Flats (C)	Nominal Metal Thickness (D)**	Approx. Weight (in Pounds)
1/8"	0.37	0.24	9/32	Solid	0.02
1/4"	0.44	0.28	3/8	Solid	0.05
3/8"	0.48	0.31	7/16	Solid	0.06
1/2"	0.56	0.38	9/16	0.16	0.11
3/4"	0.63	0.44	5/8	0.18	0.18
1"	0.75	0.50	13/16	0.20	0.31
1-1/4"	0.80	0.56	15/16	0.22	0.50
1-1/2"	0.83	0.62	1-1/8	0.24	0.67
2"	0.88	0.68	1-5/16	0.26	1.03
2-1/2"	1.07	0.74	1-1/2	0.29	1.88
3"	1.13	0.80	1-11/16	0.31	2.41
4"	1.22	1.00	2-1/4	0.38	4.45

***The material composition and quality comply with ASTM A351/A351M "Standard Specification for Castings, Austenitic, for Pressure-Containing Parts"**

***NPT Threads on all fittings conform to ASME B1.20.1**

***Dimensions comply with MSS SP-114**

**** Patterns shall be designed to produce castings of metal thickness given in table. Metal thickness at no point shall be less than 90% of the nominal metal thickness value.**



SERVICE METAL
Trust In Every Connection

MASTER DISTRIBUTOR OF
PIPE FITTINGS & VALVES

