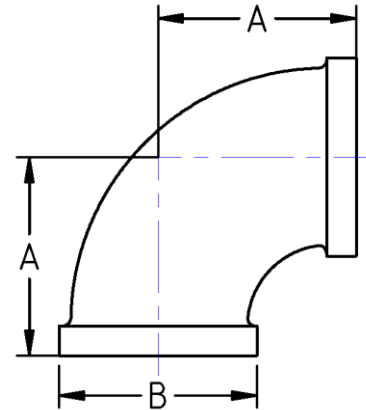




Threaded 90° Elbow
MSS SP-114 Pattern
150# Cast Stainless Steel
Inches / Pounds



Nominal Pipe Size	Center to End (A)	Outside Diameter (B)	Nominal Metal Thickness**	Approx. Weight (in Pounds)
1/8"	0.81	0.75	0.09	0.08
1/4"	0.81	0.84	0.09	0.11
3/8"	0.93	1.02	0.10	0.15
1/2"	1.12	1.21	0.10	0.27
3/4"	1.31	1.46	0.12	0.43
1"	1.50	1.77	0.13	0.71
1-1/4"	1.75	2.15	0.14	1.09
1-1/2"	1.93	2.43	0.15	1.49
2"	2.25	2.96	0.17	2.33
2-1/2"	2.68	3.31	0.21	3.95
3"	3.06	4.00	0.23	5.87
4"	3.81	5.06	0.26	10.30

****The material composition and quality comply with ASTM A351/A351M "Standard Specification for Castings, Austenitic, for Pressure-Containing Parts"***

****NPT Threads on all fittings conform to ASME B1.20.1***

****Dimensions comply with MSS SP-114***

***** Patterns shall be designed to produce castings of metal thickness given in table. Metal thickness at no point shall be less than 90% of the nominal metal thickness value.***