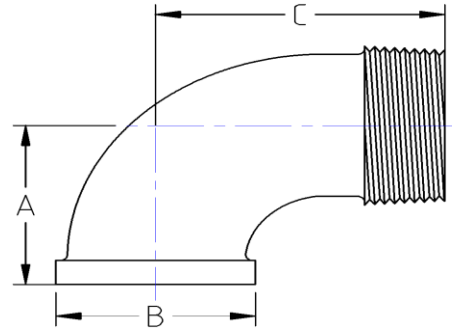




Threaded Street 90° Elbow
MSS SP-114 Pattern
150# Cast Stainless Steel
Inches / Pounds



Nominal Pipe Size	Center to End (A)	Outside Diameter (B)	Center to End (C)	Nominal Metal Thickness**	Approx. Weight (in Pounds)
1/8"	0.81	0.77	1.06	0.09	0.06
1/4"	0.81	0.85	1.18	0.09	0.11
3/8"	0.93	1.02	1.43	0.10	0.13
1/2"	1.12	1.21	1.62	0.10	0.24
3/4"	1.31	1.47	1.87	0.12	0.40
1"	1.50	1.79	2.12	0.13	0.67
1-1/4"	1.75	2.16	2.50	0.14	1.05
1-1/2"	1.93	2.44	2.75	0.15	1.37
2"	2.25	2.99	3.25	0.17	2.31
2-1/2"	2.68	3.34	3.87	0.21	4.23
3"	3.06	4.01	4.50	0.23	6.34
4"	3.81	5.09	5.68	0.26	11.54

****The material composition and quality comply with ASTM A351/A351M "Standard Specification for Castings, Austenitic, for Pressure-Containing Parts"***

****NPT Threads on all fittings conform to ASME B1.20.1***

****Dimensions comply with MSS SP-114***

***** Patterns shall be designed to produce castings of metal thickness given in table. Metal thickness at no point shall be less than 90% of the nominal metal thickness value.***