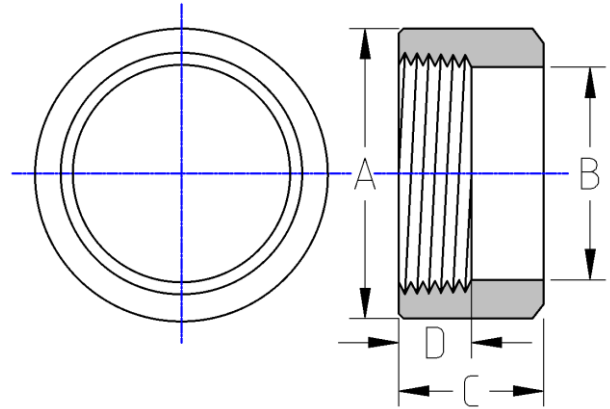




Threaded Half Coupling
MSS SP-114 Pattern
150# Cast Stainless Steel
Inches / Pounds



Nominal Pipe Size	Outside Diameter Min. (A)	Inside Diameter (B)	End to End (C)	Internal Thread Length Min. (D)	Nominal Metal Thickness**	Approx. Weight (in Pounds)
1/8"	0.75	0.34	0.51	0.26	0.09	0.05
1/4"	0.85	0.45	0.51	0.33	0.09	0.06
3/8"	1.02	0.58	0.59	0.37	0.10	0.09
1/2"	1.21	0.72	0.71	0.44	0.10	0.15
3/4"	1.47	0.93	0.77	0.51	0.12	0.21
1"	1.78	1.17	0.83	0.59	0.13	0.32
1-1/4"	2.16	1.52	1.02	0.68	0.14	0.50
1-1/2"	2.44	1.75	1.08	0.71	0.15	0.66
2"	2.97	2.23	1.28	0.76	0.17	1.09
2-1/2"	3.27	2.66	1.46	0.94	0.21	1.19
3"	4.01	3.29	1.61	0.99	0.23	1.79
4"	5.09	4.29	1.85	1.09	0.26	2.90

***The material composition and quality comply with ASTM A351/A351M "Standard Specification for Castings, Austenitic, for Pressure-Containing Parts"**

***NPT Threads on all fittings conform to ASME B1.20.1**

***Dimensions comply with MSS SP-114**

**** Patterns shall be designed to produce castings of metal thickness given in table. Metal thickness at no point shall be less than 90% of the nominal metal thickness value.**