



300# CS OS&Y FLANGED GATE VALVE

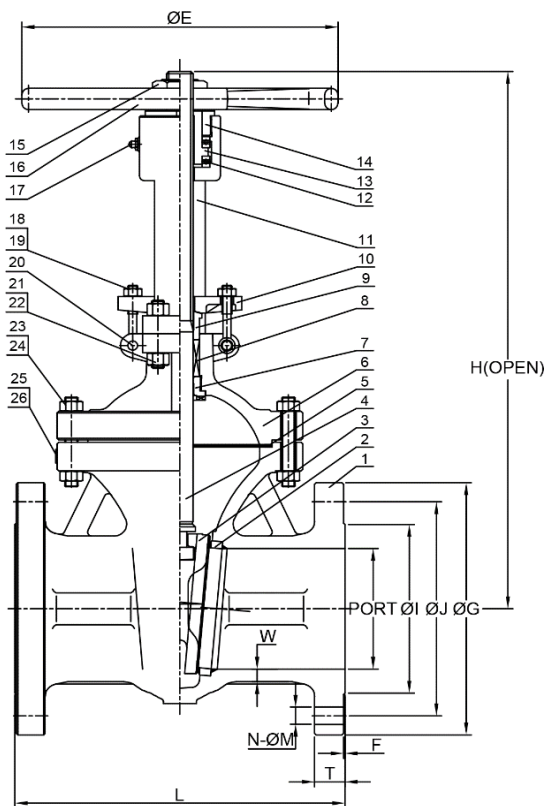
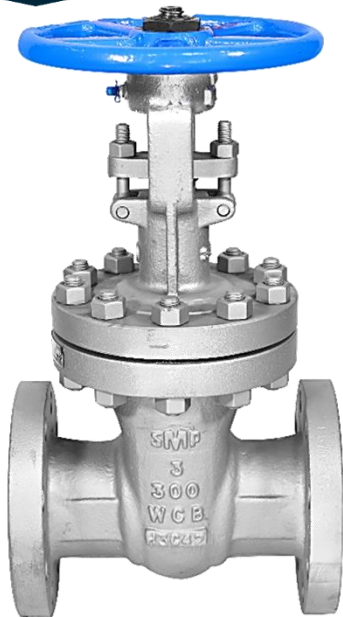
SM300GVO

FEATURES

- Class 300
- Flanged Ends
- OS&Y
- Rising Stem
- Bolted Bonnet
- Flexible Wedge
- Full Port
- API Trim 8
- Maximum Pressure 285 PSI
- Temperature Range: -20 to 797

APPLICABLE STANDARDS

- Design API 600
- Face to Face Dimension Conforms to ANSI B16.10
- Raised Face Flanged Ends Conforms to ANSI
- Tested According to API 598



Materials of Construction

Item	Part	ASTM
1	Body	A216 WCB
2	Seat Ring	A105+CoCr-A
3	Wedge	A216 Gr. WCB+410
4	Stem	A182 Gr. F6a
5	Gasket	316SS+ Graphite SW
6	Bonnet	A216 WCB
7	Backseat Bushing	A276 Gr. 410
8	Packing	API 622 Graphite (Low E)
9	Packing Gland	A276 Gr. 410
10	Gland Flange	A216 WCB
11	Yoke	A216 Gr. WCB
12	Bearing	A295 Gr. 52100
13	Stem Nut	A439 Gr. D-2
14	Gland Nut	A29 Gr. 1035
15	Handwheel Nut	A29 Gr. 1035
16	Handwheel	A536 Gr. 65-45-12
17	Grease Injector	A570 Gr. A
18	Packing Bolt	A193 Gr. B7M
19	Packing Nut	A194 Gr. 2HM
20	Packing Bolt Pin	A29 Gr. 1020
21	Bonnet/Yoke Bolt	A193 Gr. B7M
22	Bonnet/Yoke Nut	A194 Gr. 2hm
23	Body/Bonnet Bolt	A193 Gr. B7M
24	Body/Bonnet Nut	A194 Gr. 2HM
25	Rivet	AISI 304
26	Nameplate	AISI 304

Dimensions (Inches)

Size	L	ØI	ØJ	ØG	T	N-ØM	F	H	ØE	Weight (lbs)
12"	19.75	15.00	17.75	20.50	2.00	16-Ø1.250	0.06	55.31	19.69	1,028.60

The information presented on this sheet is correct at the time of publication. Service Metal reserves the right to change, and/or material specifications without notice.

