

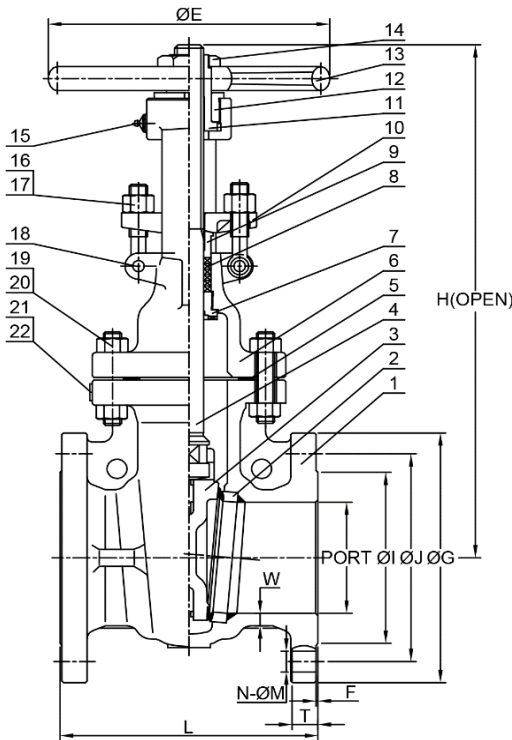


FEATURES

- Class 150
- OS&Y
- Flanged Ends
- Bolted Bonnet
- API Trim 8
- Maximum Pressure 285 PSI
- Temperature Range: -20 to 797

APPLICABLE STANDARDS

- Design API 623
- Face to Face Dimension Conforms to ANSI B16.10
- Raised Face Flanged Ends Conforms to ANSI B16.5
- Tested According to API 598



Materials of Construction

Item	Part	ASTM
1	Body	A216 WCB
2	Seat Ring	A105+CoCr-A
3	Disc	A105+410
4	Disc Cover	A276 Gr. 410
5	Stem	A182 Gr. F6a
6	Name Plate	AISI 304
7	Rivet	AISI 304
8	Gasket	316 SS+Graphite SW
9	Bonnet	A216 WCB
10	Body/Bonnet Bolt	A193 Gr. B7M
11	Body/Bonnet Nut	A194 Gr. 2HM
12	Packing Bolt Pin	A29 Gr. 1020
13	Gland Flange	A216 WCB
14	Gland Bolt	A193 Gr. B7M
15	Gland Nut	A194 Gr. 2HM
16	Stem Nut	A439 GR. D-2
17	Washer	A29 GR. 1020
18	Handle Nut	A194 Gr. 2HM
19	Handwheel	A536 Gr. 65-45-12
20	Screw	A29 Gr. 1020
21	Gland	A276 Gr. 410
22	Packing	API 622 Graphite ( Low E )
23	Backseat Bushing	A276 Gr. 410

Dimensions (Inches)

Size	L	ØI	ØJ	ØG	T	N-ØM	F	H	ØE	Weight (lbs)
2"	8.00	3.62	4.75	6.00	0.63	4-Ø0.75	0.06	13.86	7.87	58.40
2-1/2"	8.50	4.12	5.50	7.00	0.69	4-Ø0.75	0.06	14.65	9.84	75.60
3"	9.50	5.00	6.00	7.50	0.75	4-Ø0.75	0.06	15.04	9.84	84.80
4"	11.50	6.19	7.50	9.00	0.94	8-Ø0.75	0.06	19.02	11.81	131.20
6"	16.00	8.50	9.50	11.00	1.00	8-Ø0.875	0.06	20.91	13.78	227.40

The information presented on this sheet is correct at the time of publication. Service Metal reserves the right to change, and/or material specifications without notice.