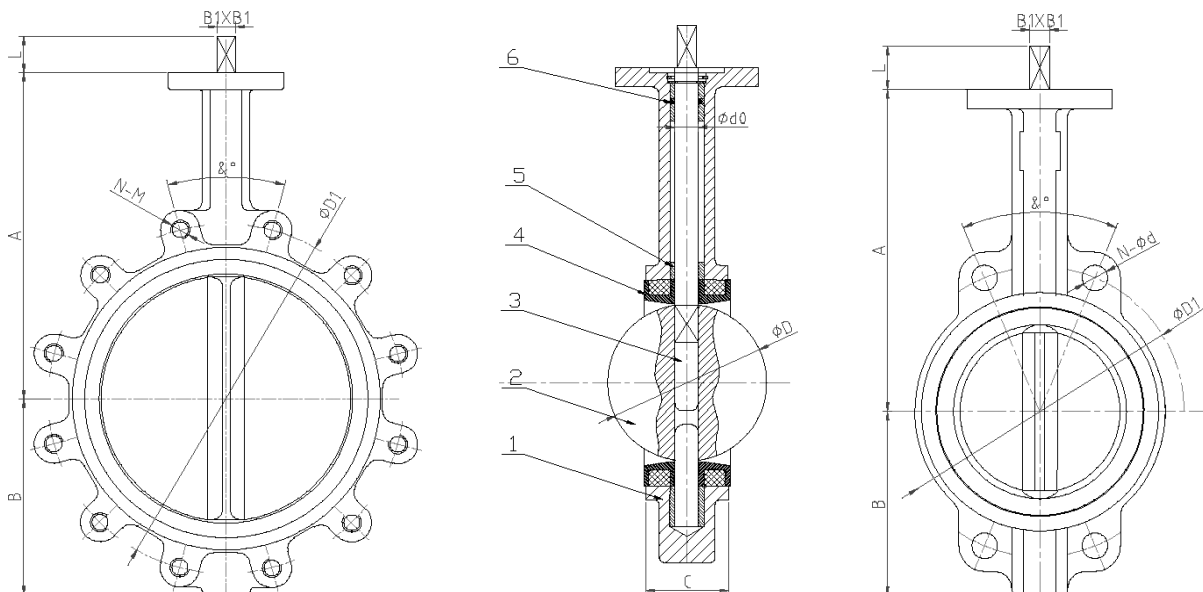




- SM500 (Lug)
- SM550 (Wafer)
- 200 PSI 2" - 14"
- 150 PSI 16" - 24"

Applicable Standards

- Valve Design Conforms to API 609 Class A
- Mounting Pad Conforms to ISO 5211
- Ends Conforms to ASME B16.1 and B16.5
- Inspected & Tested According to API 598



Materials of Construction

Item	Part	Material	ASTM
1	Body	Ductile Iron	A536
2	Disc	Aluminum Bronze, 316 SS	B505 C95400, CF8M
3	Shaft	410 SS	410 SS
4	Seat	EPDM, BUNA (NBR)	N/A
5	Bushing	PTFE	N/A
6	O-Ring	BUNA (NBR)	N/A
7	Lever	Ductile Iron	A536
8	Indicator	Carbon Steel	201 SS
9	Handwheel	Cast Iron	A126 B
10	Gear	Cast Iron	A536

Dimensions (Inches)

Size	A	B	C	D	d0	B1	L	D1	N-M	N - ϕ d	$\&^\circ$	Weight (Lbs)	
												Wafer	Lug
2"	6.34	3.15	1.65	2.09	0.50	0.43	1.02	4.74	4-0.63	4-0.75	90°	5.29	6.61
2-1/2"	6.89	3.50	1.76	2.56	0.50	0.43	1.02	5.49	4-0.63	4-0.75	90°	6.39	7.94
3"	7.13	3.74	1.81	3.11	0.50	0.43	1.02	6.00	4-0.63	4-0.75	90°	7.83	8.27
4"	7.87	4.49	2.05	4.09	0.62	0.43	1.10	7.50	8-0.63	4-0.75	45°	10.14	15.21
5"	8.39	5.00	2.14	4.85	0.74	0.55	1.10	8.50	8-0.75	4-0.89	45°	14.55	20.28
6"	8.90	5.47	2.20	6.12	0.74	0.55	1.10	9.51	8-0.75	4-0.89	45°	15.21	24.14
8"	10.24	6.89	2.39	7.97	0.87	0.67	1.50	11.75	8-0.75	4-0.89	45°	26.01	35.38
10"	11.50	7.99	2.58	9.86	1.12	0.87	1.50	14.25	12-0.88	4-1.00	30°	42.77	64.37
12"	13.27	9.53	3.03	11.87	1.24	0.87	1.57	17.01	12-0.88	4-1.00	30°	66.36	92.37
14"	14.49	10.51	3.01	13.12	1.24	0.87	1.65	18.76	12-1.00	4-1.12	30°	84.11	106.70
16"	15.75	12.17	4.02	15.34	1.31	1.06	1.97	21.26	16-1.00	4-1.12	22.5°	130.07	174.16
18"	16.61	13.39	4.49	17.34	1.49	1.06	1.97	22.76	16-1.12	4-1.26	22.5°	178.57	262.35
20"	18.90	14.21	5.00	19.35	1.62	1.42	2.36	25.00	20-1.12	20-1.26	18°	220.46	317.47
24"	22.13	18.07	5.98	23.33	1.99	1.42	2.36	29.51	20-1.2	20-1.38	18°	434.31	440.92

The information presented on this sheet is correct at the time of publication. Service Metal reserves the right to change design, and/or material specifications without notice.

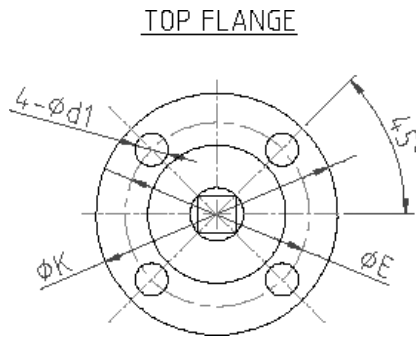


LUG/WAFER STYLE BUTTERFLY VALVE

SM500/SM550

Mounting Pad (Inches)

Size	ISO 5211	Ø K	Ø E	4 - Ø d1
2"	F07	3.54	2.76	4-0.39
2-1/2"	F07	3.54	2.76	4-0.39
3"	F07	3.54	2.76	4-0.39
4"	F07	3.54	2.76	4-0.39
5"	F07	3.54	2.76	4-0.39
6"	F07	3.54	2.76	4-0.39
8"	F10	4.92	4.02	4-0.47
10"	F10	4.92	4.02	4-0.47
12"	F10	4.92	4.02	4-0.47
14"	F10	4.92	4.02	4-0.47
16"	F14	6.89	5.51	4-0.71
18"	F14	6.89	5.51	4-0.71
20"	F14	6.89	5.51	4-0.71
24"	F16	8.27	6.50	4-0.91

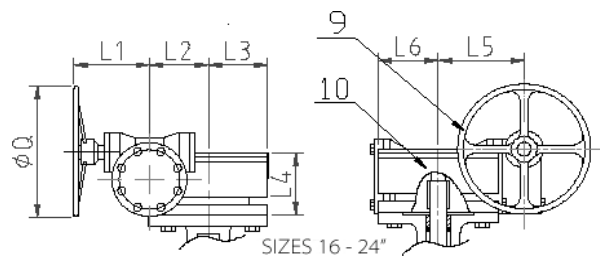
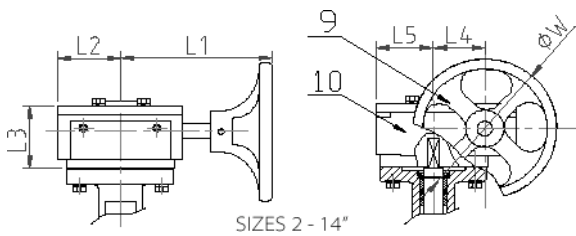


Torque (In-Lbs)

Size	200 PSI	150 PSI
2"	133.6	124
2-1/2"	152.2	142
3"	204	195
4"	354	327
5"	549	513
6"	903	832
8"	1,699	1531
10"	2,859	2531
12"	4,337	3717
14"	5,532	4868
16"	N/A	8364
18"	N/A	11196
20"	N/A	14940
24"	N/A	23357

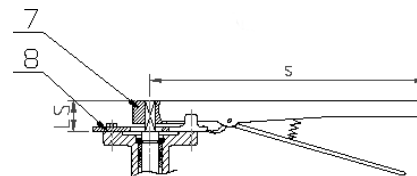
Gear Operator (Inches)

Size	Ø W	Ø Q	L1	L2	L3	L4	L5	L6	Weight
2" - 6"	5.91	N/A	5.98	2.05	2.95	1.77	2.05	N/A	8.38
8" - 10"	11.42	N/A	9.84	2.95	3.39	2.48	2.95	N/A	17.64
12" - 14"	11.42	N/A	8.94	3.19	3.27	3.19	3.19	N/A	21.83
16" - 20"	N/A	11.80	6.30	3.70	4.07	4.33	7.13	4.07	57.32
24"	N/A	15.74	6.93	4.92	5.16	5.04	7.85	5.16	57.32



Lever (Inches)

Size	S	LS	Weight
2" - 3"	8.66	1.02	1.02
4" - 6"	10.24	1.10	1.98
8" - 10"	13.98	1.50	4.30
12"	19.88	1.57	5.07



The information presented on this sheet is correct at the time of publication. Service Metal reserves the right to change design, and/or material specifications without notice.