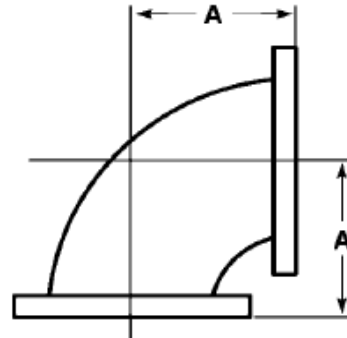




Flanged 90° Elbow
125# Cast Iron
150# Ductile Iron
Inches / Pounds



Size	A	Approximate Weight (in Pounds)
2	4.50	13
2 ½	5.00	18
3	5.50	26
4	6.50	41
5	7.50	52
6	8.00	71
8	9.00	112
10	11.00	175
12	12.00	250
14	14.00	290
16	15.00	370
18	16.50	450
20	18.00	580
24	22.00	900
30	25.00	1430
36	28.00	2135

**Sizes up to 6" are Ductile Iron, Meet ASTM A395, ANSI/AWWA C110/A21.10, ANSI B16.42*

**Sizes 8" and Larger are Cast Iron, Meet ASTM A126, ANSI/AWWA C110/A21.10, ANSI B16.1*

**All Fittings are Asphalt Coated as Standard, Hot Dip Galvanizing Available*