



3-PC. SOCKET WELD END BALL VALVE

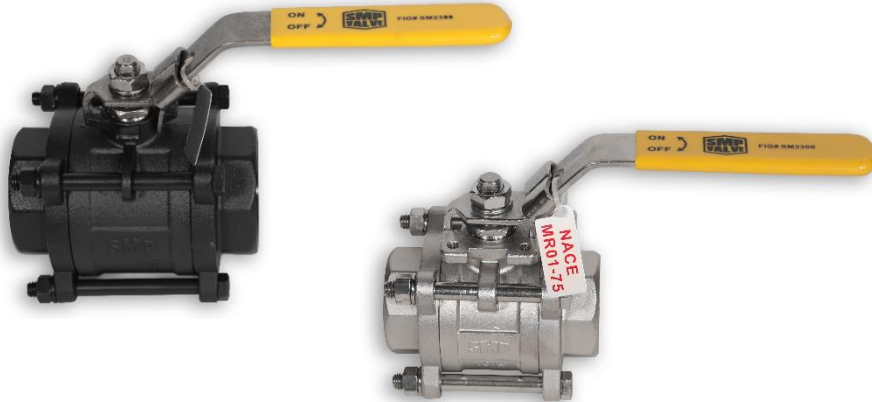
SM2300CS/SM3300SS

FEATURES

- Full Port 1/4" through 4"
- Working Pressure 1000 WOG
- Working Temperature -4° F through 392°F
- Blow-out Proof Stem
- Locking Device
- SM2300CS: A216-WCB • SM3300SS: A351-CF8M

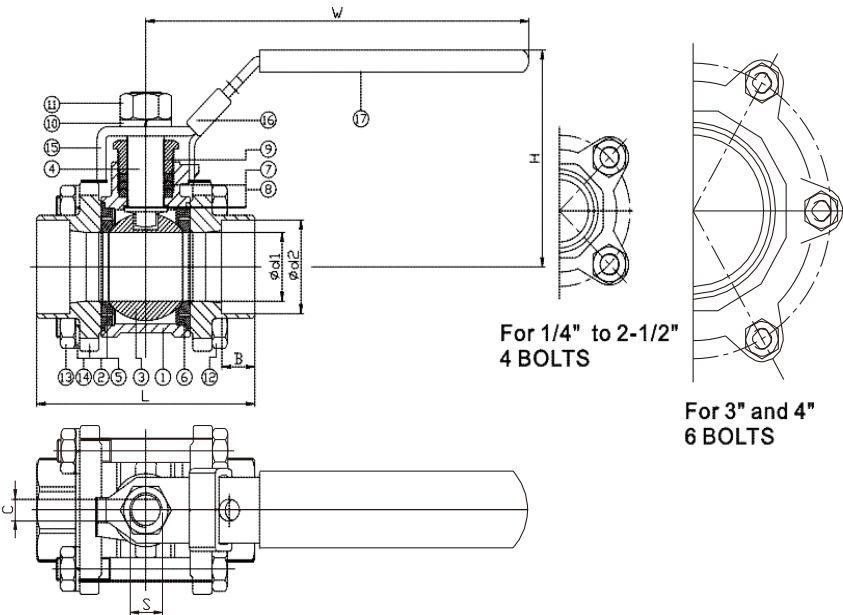
SPECIFICATIONS

- Socket Weld Ends Conform to ASME/ANSI B16.11
- API-598
- NACE MR-0175 STANDARD



Materials of Construction

Item	Part	Material Spec	
1	Body	ASTM A216-WCB	ASTM A351-CF8M
2	Cap		
3	Ball	ASTM A351-CF8M	
4	Stem	ASTM A276-316	
5	Seat	RTFE	
6	Seal	GRAPHITE	
7	Packing	GRAPHITE	
8	Thrust Washer	CTFE	
9	Gland Nut	AISI 304	
10	Spring Washer		
11	Stem Nut		
12	Bolt		
13	Nut		
14	Spring Washer		
15	Handle	Stainless Steel	
16	Locking Device	Stainless Steel	
17	Handle Sleeve	PVC	



Dimensions (Inches)

NPS	d1	d2	B	L	H	W	C	S	Torque (in-lb)	Weight (lb)
1/4"	0.46	0.57	0.39	2.56	2.30	3.94	0.20	3/8"-24UNF	31.00	0.80
3/8"	0.49	0.71	0.39	2.56	2.30	3.94	0.20	3/8"-24UNF	35.40	0.80
1/2"	0.59	0.87	0.39	2.56	2.44	3.94	0.20	3/8"-24UNF	48.70	1.10
3/4"	0.79	1.08	0.51	2.95	2.44	4.92	0.26	7/16"-20UNF	66.40	1.50
1"	0.98	1.34	0.51	3.35	3.03	5.87	0.31	7/16"-20UNF	97.40	2.20
1-1/4"	1.26	1.69	0.51	3.98	3.23	5.87	0.31	7/16"-20UNF	132.80	3.50
1-1/2"	1.50	1.93	0.51	4.41	3.94	7.48	0.39	1/2"-20UNF	177.00	5.50
2"	1.97	2.40	0.63	5.12	4.25	7.48	0.39	1/2"-20UNF	354.00	7.70
2-1/2"	2.48	2.91	0.63	6.38	5.39	9.84	0.47	3/4"-10UNC	531.00	14.80
3"	2.99	3.54	0.63	7.40	5.71	9.84	0.47	3/4"-10UNC	752.30	20.90
4"	3.78	4.55	0.79	8.82	7.05	12.72	0.63	1"-8UNC	1,327.60	42.10

The information presented on this sheet is correct at the time of publication. Service Metal reserves the right to change design, and/or material specifications without notice.

PRESSURE-TEMPERATURE RATING

TEMPERATURE °C

