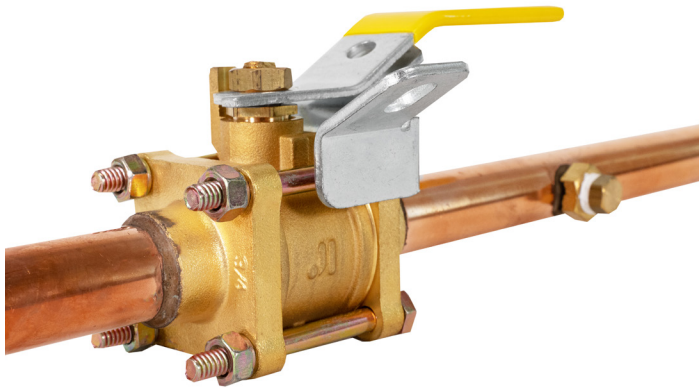


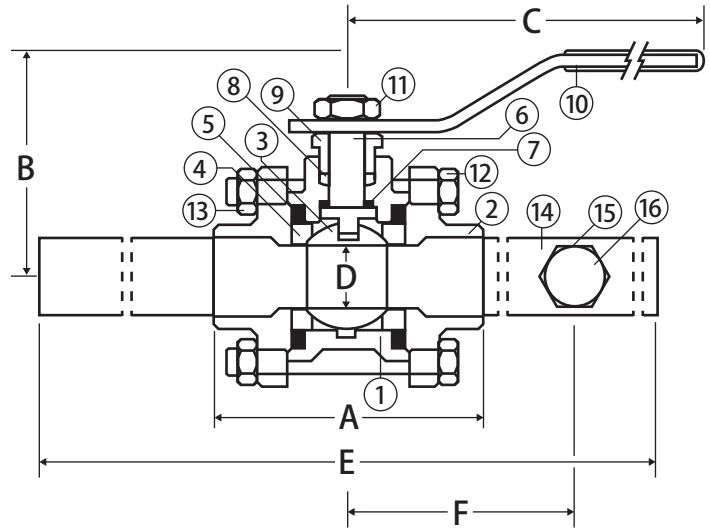
Medical Gas Ball Valve



**3 Piece 4 Bolt • Oxygen Cleaned for Medical Gas •
Copper Stub Connection • with Single Gauge Port • 600 WOG**



S-675-GP-4B



Features

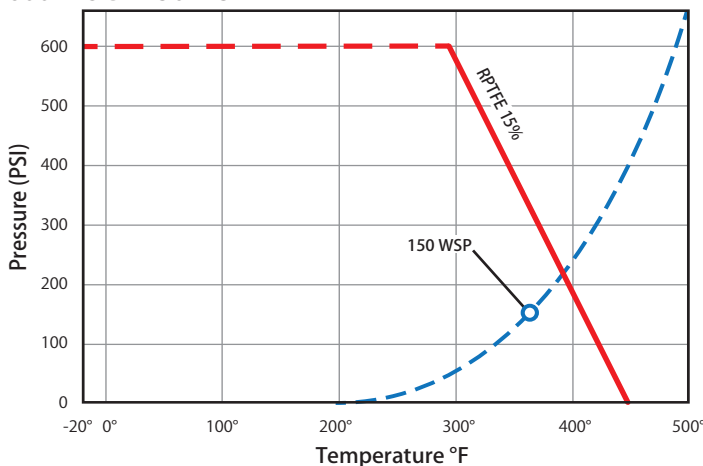
- NFPA-99C standard
- One 1/8" gauge purge port
- "K" copper tubing extensions silver brazed
- Latch lock handle is standard
- Oxygen cleaned
- 100% leak tested
- 29 in-Hg vacuum rating

Approvals

- MSS SP-110

Valve Seat Rating

600 WOG - 150 WSP



Material Specifications

No.	Part	Materials
1	Body	Brass
2	End Cap (2)	Brass
3	Ball**	Chrome Plated Brass
4	Seat (2)	RPTFE - 15%
5	Body O-ring (2)	Viton®
6	Stem***	Brass
7	Stem Seal	RPTFE - 15%
8	Packing	RPTFE - 15%
9	Packing Gland	Brass
10	Handle	Steel - Nickel Plated
11	Handle Nut	Steel - Nickel Plated
12	Body Bolt (4)	Steel - Nickel Plated
13	Body Nut (4)	Steel - Nickel Plated
14	Extension (2)	Copper
15	Port Housing	Brass
16	Purge Port	Brass
17	Locking Device*	Steel - Nickel Plated
18	End Plug*	Plastic

* Not shown in drawing

** Material is Stainless Steel 304 for 1-1/4" through 2"

*** Material is Stainless Steel 304 for 1" through 2"

Dimensions

Part No.	Size	A	B	C	D	E	F	Torque (in. lbs.)
500-823	1/2	2.64	1.81	2.87	0.59	17.50	5.00	89-106
500-824	3/4	2.95	2.44	4.67	0.79	17.50	5.00	89-106



WARNING: This product can expose you to chemicals including lead, which is known to the State of California to cause cancer, and lead, which is known to the State of California to cause birth defects or other reproductive harm. For more information go to www.P65Warnings.ca.gov.