

Class 125 Iron Body Gate Valves

Bolted Bonnet • Outside Screw and Yoke • Solid Wedge • Bronze Mounted • Stem Pack Ring Material Options

200 PSI/13.8 bar non-shock cold working pressure to -20°F to 150°F/-29°C to 66°Ct

Maximum working temperature 450°F/232°C at 125 PSI/8.6 bar

125 PSI/8.6 bar saturated steam to 353°F/178°C

CONFORMS TO MSS SP-70

MATERIAL LIST

PART	SPECIFICATION
1. Stem	Copper Alloy, ASTM B16 C36000
2. Nut, Handwheel	Cast Copper Alloy, ASTM B584 C84400
3. Nameplate, I.D.	Aluminum
4. Handwheel, Blue	Cast Iron, ASTM A126-B
5. Bushing, Yoke	Cast Copper Alloy, ASTM B584 C84400
6. Screw, Hex - Bonnet Cap	Steel, ASTM A307 / SAE J429
7. Cap, Bonnet	Ductile Iron, ASTM A536
8. Nut, Square - Bonnet Cap	Steel, ASTM A563
9. Bonnet ¹	Cast Iron, ASTM A126-B
10. Nut, Heavy Hex - GLD Follow	Steel, ASTM A563
11. Gland Follower	Ductile Iron, ASTM A536
12. Pack Gland	Powdered Metal, ASTM B783
13. Pack Ring	F617-O: Aramid Fibers/Graphite F617-OTP: Synthetic Fibers/PTFE
14. Bolt, SQ Head - GLD Follow	Steel, ASTM A307 / SAE J429
15. Screw, Hex - Body	Steel, ASTM A307 / SAE J429
16. Gasket, Body	Graphite/SST
17. Nut, Hex - Body	Steel, ASTM A563
18. Collar, Stem	Copper Alloy, ASTM B16 C36000
19. Pin, Wedge	Copper Alloy, ASTM B140 C31600
20. Ring, Seat - Wedge	Cast Copper Alloy, ASTM B584 C84400
21. Wedge ²	Cast Iron, ASTM A126-B
22. Ring, Seat - Body	Cast Copper Alloy, ASTM B584 C84400
23. Body	Cast Iron, ASTM A126-B

¹ Sizes thru 8", Yoke and Bonnet are intergral. 10" and 12" sizes separate. Yoke is bolted to Bonnet.

² Sizes 2" thru 6" have Cast Copper Alloy Wedges. Sizes 8" thru 12" made with Cast Iron Wedge with Cast Copper Alloy Face Rings.

NOTE: 1. F-617-O available 2"-24". F-617-OTP available 2"-12".

2. NIBCO may substitute Ductile Iron ASTM A395 (60-40-18) for ASTM A126 Class B Cast Iron for the Body, Bonnet, Wedge, or Disc. NIBCO may substitute Ductile Iron ASTM A395 (60-40-18) or ASTM A536 (65-45-12) for all other ASTM A126 Class B Cast Iron components.

DIMENSIONS—WEIGHTS—QUANTITIES

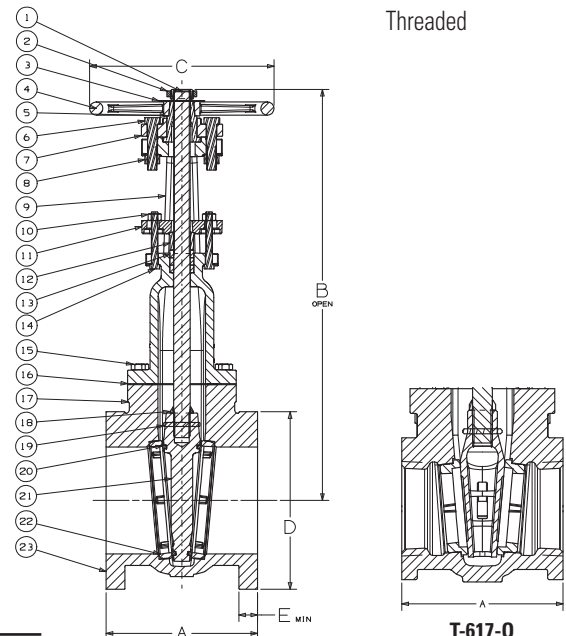
		Dimensions															
		F-617-O/OTP		T-617-O		B		C		D		E		F-617-O/OTP		T-617-O	
Size		A	A	B	C	D	E	F-617-O/OTP	T-617-O	Lbs.	Kg.	Lbs.	Kg.				
In.	mm.	In.	mm.	In.	mm.	In.	mm.	In.	mm.	In.	mm.	In.	mm.				
2	50	7.00	178	5.63	143	16.26	413	8.00	203	6.00	152	0.62	16	41	19	30	14
2½	65	7.50	191	5.88	149	17.26	438	8.00	203	7.00	178	0.69	18	55	25	39	18
3	80	8.00	203	6.13	156	19.44	494	8.00	203	7.50	114	0.75	19	67	30	47	21
4	100	9.00	229	6.50	165	23.54	598	10.25	260	9.00	229	0.94	24	107	49	77	35
5	125	10.00	254	—	—	27.01	686	10.25	260	10.00	254	0.94	24	145	66	—	—
6	150	10.50	267	—	—	30.73	781	12.00	305	11.00	279	1.00	25	178	81	—	—
8	200	11.50	292	—	—	40.29	1023	14.00	356	13.50	343	1.12	28	309	140	—	—
10	250	13.00	330	—	—	48.45	1231	16.25	413	16.00	406	1.19	30	481	219	—	—
12	300	14.00	356	—	—	56.26	1429	18.00	457	19.00	483	1.25	32	706	321	—	—



F-617-O
F-617-OTP
Flanged



T-617-O
Threaded



F-617-O
F-617-OTP
Flg x Flg

T-617-O
NPT x NPT

FREEZING WEATHER PRECAUTION: Subsequent to testing a piping system, valves should be left in an open position to allow complete drainage.

◆ For detailed Operating Pressure, refer to Pressure Temperature Chart on page 116.



WARNING: This product can expose you to chemicals including lead, which is known to the State of California to cause cancer and birth defects or other reproductive harm. For more information go to www.P65Warnings.ca.gov.

Visit our website for the most current information.