



StainlessPress®

IsoTubi-USA, By Merit Brass Co.



Innovative Solutions Driven to Provide Value to Your System

**MERIT
BRASS**
DIRECTING THE FLOW OF *Quality*



From Planning to Projects to Training Through to Distribution
Innovative Solutions Driven to Provide Value

➤ **Streamlining Project Planning & Execution**

Owner

Engineering

General Contractor

➤ **Innovation with Design in Mind to Save Time, Money & Labor**

Mechanical
Contractor

Plumbing
Contractor

Project
Management

Project Takeoffs
& Design

➤ **Training at Every Stage of the Process with Your Success in Mind**

➤ **Supporting Distribution Growth Strategies Through Vertical
Market Relationship Building**

BENEFITS & FEATURES

➤ **4 Path* Leak Before Press (LBP) System**

FIRST TO MARKET

➤ **VIPR®**

Visual Indicator Press Ring®

➤ **50-Year Limited Warranty**

➤ **IPS (Iron Pipe Size)**

➤ **Box, Bag & Ring**

Are Color-Coordinated to the Sealing Element

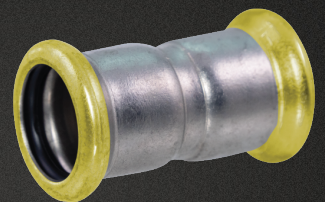
➤ **Mates with S5 & S10, 304 & 316
Stainless Steel Pipe**

➤ Origin: **Barcelona, Spain**

➤ **Buy American Act**

➤ **316 Stainless Steel** ASTM Spec

VIPR®
Visual Indicator Press Ring®
TECHNOLOGY



HNBR



EPDM



StainlessPress® Product Offering

ISOtubi-USA, By Merit Brass Co.

Description	Size Range for All Sealing Element Materials
316 StainlessPress® Coupling with Stop	1/2" - 2"
316 StainlessPress® Coupling without Stop	1/2" - 2"
316 StainlessPress® 90° Elbow	1/2" - 2"
316 StainlessPress® 90° Street Elbow	1/2" - 2"
316 StainlessPress® 45° Elbow	1/2" - 2"
316 StainlessPress® 45° Street Elbow	1/2" - 2"
316 StainlessPress® Tee P x P x FPT	1/2" - 2"
316 StainlessPress® Tee P x P x P	1/2" - 2"
316 StainlessPress® Reducing Tee P x P x FPT	3/4" - 2"
316 StainlessPress® Reducing Tee P x P x P	3/4" - 2"
316 StainlessPress® Bushing Reducer	3/4" - 2"
316 StainlessPress® Female Adapter	1/2" - 2"
316 StainlessPress® Male Adapter	1/2" - 2"
316 StainlessPress® Flange Adapter	1/2" - 2"
316 StainlessPress® Cap	1/2" - 2"
316 StainlessPress® Union	1/2" - 2"
316 StainlessPress® Ball Valve	1/2" - 2"
316 StainlessPress® Transition Adapter	3/4" - 2"
316 StainlessPress® Van Stone Flange Adapter	1/2" - 2"
316 StainlessPress® Weld Adapter	1/2" - 2"

Chemical Compatibility Chart

	CHEMICAL	CHEMICAL FORMULAS	316 SS	SEALING ELEMENT			VALVE SEAT
				EPDM	HNBR	FKM	PTFE
ACIDS	Acetic Acid 5%	C ₂ H ₄ O ₂	A	A	B	A	A
	Acetic Acid 10%	C ₂ H ₄ O ₂	A	A	C	B	A
	Acetic Acid Glacial	C ₂ H ₄ O ₂	A	A	B	D	A
	Boric Acid 20%	H ₃ BO ₃	A	A	A	A	A
	Nitric Acid 20°C	HNO ₃	A	D	D	B	A
BASES	Ammonium Hydroxide Concentrated	NH ₄ OH	A	A	D	B	A
	Potassium Hydroxide 50% 20°C	KOH	A	A	B	D	A
GASES	Acetylene	C ₂ H ₂	A	A	A	A	A
	Air	-	A	A	A	A	A
	Argon	Ar	A	A	A	A	A
	Butane	C ₄ H ₁₀	A	D	A	A	A
	Carbon Dioxide	CO ₂	A	A	A	A	A
	Carbon Monoxide	CO	A	A	A	A	A
	Ethyl Chloride (no moisture)	C ₂ H ₅ Cl	A	B	A	A	A
	Helium	He	A	A	A	A	A
	Hydrogen	H ₂	A	A	A	A	A
	Hydrogen Sulfide	H ₂ S	A	A	A	D	A
	Methane	CH ₄	A	D	A	A	A
	Neon	Ne	A	A	A	A	A
	Nitrogen	N	A	A	A	A	A
	Propane	C ₃ H ₈	A	D	A	A	A
Xenon	Xe	A	A	A	A	A	
ALCOHOLS	Amyl Alcohol	C ₅ H ₁₁ OH	A	A	B	B	A
	Butyl Alcohol (Butanol)	C ₄ H ₁₀ O	A	B	A	A	A
	Ethyl Alcohol < 80%	C ₂ H ₆ O	A	A	A	B	A
	Ethyl Alcohol > 80%	C ₂ H ₆ O	A	A	A	B	A
	Glycerine (Glycerol)	C ₃ H ₅ (OH) ₃	A	A	A	A	A
	Isopropyl Alcohol	C ₃ H ₈ O	A	A	B	A	A
	Methanol	CH ₃ OH	A	A	A	D	A

Recommendations shown above are general in nature. Product service life for a given application is dependent on actual media mixture, pressure, temperature and operational (cycling) parameters. Contact sales@meritbrass.com if you have questions or wish to inquire about compatibility with chemicals not shown in the chart.

Tools, Kits, Jaws & Rings

Milwaukee Part #	Tooling Name
2773-20L	M18 Force Logic Long Throw Press Tool (Use M18 Jaws)
2773-22L	M18 Force Logic Long Throw Press Tool Kit (With 1/2" - 1" Jaws)
49-16-2650S	M18 1/2" IPS-IA Jaw
49-16-2651S	M18 3/4" IPS-IA Jaw
49-16-2652S	M18 1" IPS-IA Jaw
49-16-2653S	M18 1-1/4" IPS-IA Jaw
49-16-2654S	M18 1-1/2" IPS-IA Jaw
49-16-2655S	M18 2" IPS-IA Jaw
49-16-2659	Ring Jaw 1 (2-1/2" - 4")
49-16-2659S	Ring Jaw 2 (1-1/2" - 2")
49-16-2691S	M18 Force Logic Long Throw IPS-IA Press Ring Kit (1-1/4" - 2")

Certifications



StainlessPress® Fittings North American Certifications

- **IAPMO PS 117** - Press Connections
- **NFS/ANSI/CAN 61** - Drinking Water System Components - Health Effects (EPDM Only)
- **NFS/ANSI/CAN 372** - Drinking Water System Components - Lead Content (EPDM Only)
- **FM 1920** - Pipe Couplings and Fittings for Above Ground Fire Protection Systems
- **American Bureau of Shipping** - Product Design Assessment (PDA) Certificate 1 5-PR1438892-PDA, Piping System and Couplings



StainlessPress® Valves With Press Connection Ends

- **IAPMO Z1157** - Ball Valves
- **NFS/ANSI/CAN 61** - Drinking Water System Components - Health Effects (EPDM Only)
- **NFS/ANSI/CAN 372** - Drinking Water System Components - Lead Content (EPDM Only)



StainlessPress® Fittings Global Certifications

- **CSTB** (France) Distribution and Water Drainage Pipes and Fittings
- **BSI** (UK) EN 10352:2010 Stainless Steel Plumbing Fittings - Fittings with Press Ends for Metallic Tubes for Gas
- **Lloyd's Register** (UK & global) - Stainless Steel Welded Pipe System with Couplings for use in Class III Systems where no Fire Endurance Test is Required and in Domestic and Sanitary Systems
- **WRAS** (UK) Section 1180 - Fittings for use with Tube and Pipe
- **CSIRO** (Australia) Fire Sprinkler Systems - Piping/Water Supply - Metallic Fittings and End Connectors/Plumbing and Drainage Products - Stainless Steel Pipes and Tubes for Pressure Applications
- **ÖVGW** (Austria) Stainless Steel Pipes (Material 1.4404) as well as System Connectors as Press Connector Made of 1.4404 for the Drinking Water Installation for Hot and Cold Water Installation
- **SGWA** (Switzerland) Pipes and Fittings (1.4404) Drinking Water Distribution Systems
- **DNV GL** (Norway) Steel Pipes and Fittings. Products approved by this certificate are accepted for installation on vessels classed by DNV GL.
- **ETA** (Denmark) Pipe System Consisting of Stainless Steel Pipes and Press Fittings for Domestic and Ground Water Installations (1.4404)



StainlessPress®

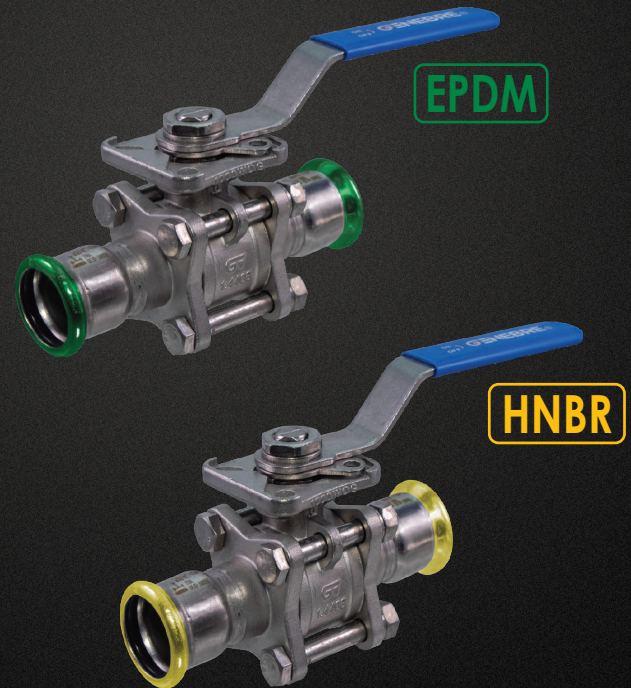
IsoTubi-USA, By Merit Brass Co.

Three Piece Ball Valve

Sizes: 1/2" - 2"

APPLICABLE STANDARDS

- In compliance with the Buy American Act
- **IAPMO Z1157:** Ball Valves
- **NSF/ANSI/CAN 61:** Drinking Water System Components - Health Effects (EPDM only)
- **NSF/ANSI/CAN 372:** Drinking Water System Components - Lead Content (EPDM only)



Design Features

- **VIPR® (Visual Indicator Press Ring®)** - facilitates immediate identification of un-pressed connections
- **Leak Before Press** - in addition to the VIPR®, valve incorporates four path LBP technology, guaranteeing a visual indication if not pressed
- **50-Year Limited Warranty**
- **IPS (Iron Pipe Size)** used with schedule 5 or 10 stainless steel pipe
- **Full Port Quarter-Turn Valve**
- **Latch-Lock Handle** - facilitates locking in the open and closed positions
- **Maximum Working Pressure:** 300 psi
- **Temperature Range (EPDM):** -4°F to 230°F
- **Temperature Range (HNBR):** -13°F to 248°F

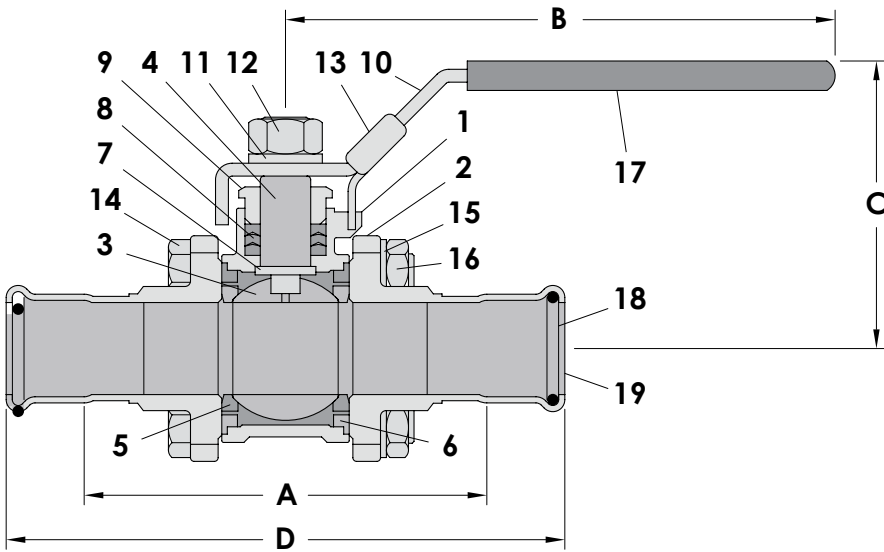


StainlessPress®

IsoTubi-USA, By Merit Brass Co.

Three Piece Ball Valve

Sizes: 1/2" - 2"



NO.	PART NAME	QTY	MATERIAL
1	Body	1	ASTM A351-CF8M
2	Cap	1	ASTM A351-CF8M
3	Ball	1	ASTM A351-CF8M
4	Stem	1	ASTM A276-316
5	Ball Seat	1	RPTFE
6	Body Seal	1	Graphite-Filled PTFE
7	Thrust Washer	1	Graphite-Filled PTFE
8	Stem Packing	1	PTFE
9	Gland Nut	1	AISI 304
10	Handle	1	AISI 304
11	Spring Washer	1	AISI 304
12	Nut	1	AISI 304
13	Latch Lock	1	AISI 304
14	Bolt	1	AISI 304
15	Spring Washer	1	AISI 304
16	Nut	1	AISI 304
17	Handle Sleeve	1	PVC
18	Sealing Element	1	EPDM, Nitrile, Fluoroelastomer*
19	StainlessPress Ends	1	316L

*For more information on Fluoroelastomer Sealing Elements, please contact Merit

Part Number*		Inches	Dimensions (in)				Weight (lbs)
EPDM	HNBR	Nominal	A	B	C	D	
MBF311/26GE	MBF311/26GEH	1/2	2.82	4.26	2.44	4.49	1.24
MBF313/46GE	MBF313/46GEH	3/4	3.50	5.31	2.68	5.39	1.73
MBF3116GE	MBF3116GEH	1	3.86	5.30	2.75	5.90	2.46
MBF3111/46GE	MBF3111/46GEH	1-1/4	4.17	6.30	3.35	6.53	5.90
MBF3111/26GE	MBF3111/26GEH	1-1/2	4.72	7.87	3.54	7.13	5.93
MBF3126GE	MBF3126GEH	2	5.35	8.27	3.94	8.89	8.48

*For more information on Fluoroelastomer Sealing Elements, please contact Merit

Contact Us

Cleveland Headquarters

One Merit Drive/PO Box 43127
Cleveland, OH 44143

Dallas Distribution Center

10614 King William Drive
Dallas, TX 75220

Birmingham Distribution Center

220 Oxmoor Court
Birmingham, AL 35209

Sparks Distribution Center

200 Vista Boulevard Suite #106
Sparks, NV 89434

800.726.9800

contactus@meritbrass.com



www.meritbrass.com

www.mbwebxpress.com

MERIT BRASS

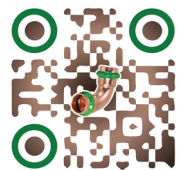
DIRECTING THE FLOW OF *Quality*

Find us in

MasterSpec[®]

Powered by Deltek Specpoint[®]

LEARN MORE



Revised October 2022

©2022 Merit Brass Company. All Rights Reserved.