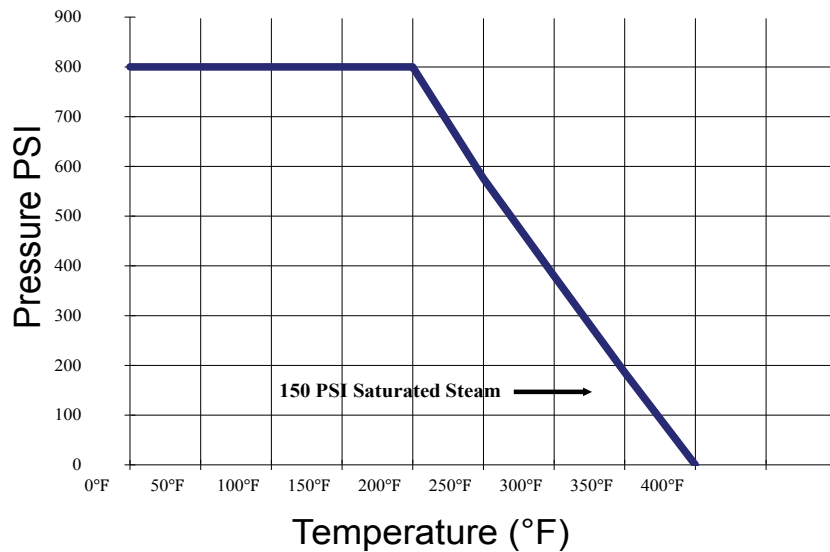


DESIGN FEATURES:

- Blow-out Proof Stem
- Pressure Balance Hole Ball Slot
- Reduced Port
- Various Threaded Standards Available
- Locking Device is Available Upon Request

APPLICABLE STANDARDS:

- Design: ASME/ANSI B16.34 EN12516
- Wall Thickness: ASME/ANSI B16.34 EN12516
- Pipe Thread: ASME/ANSI B1.20.1
- Inspection & Testing: ASME/ANSI B16.34 EN12266



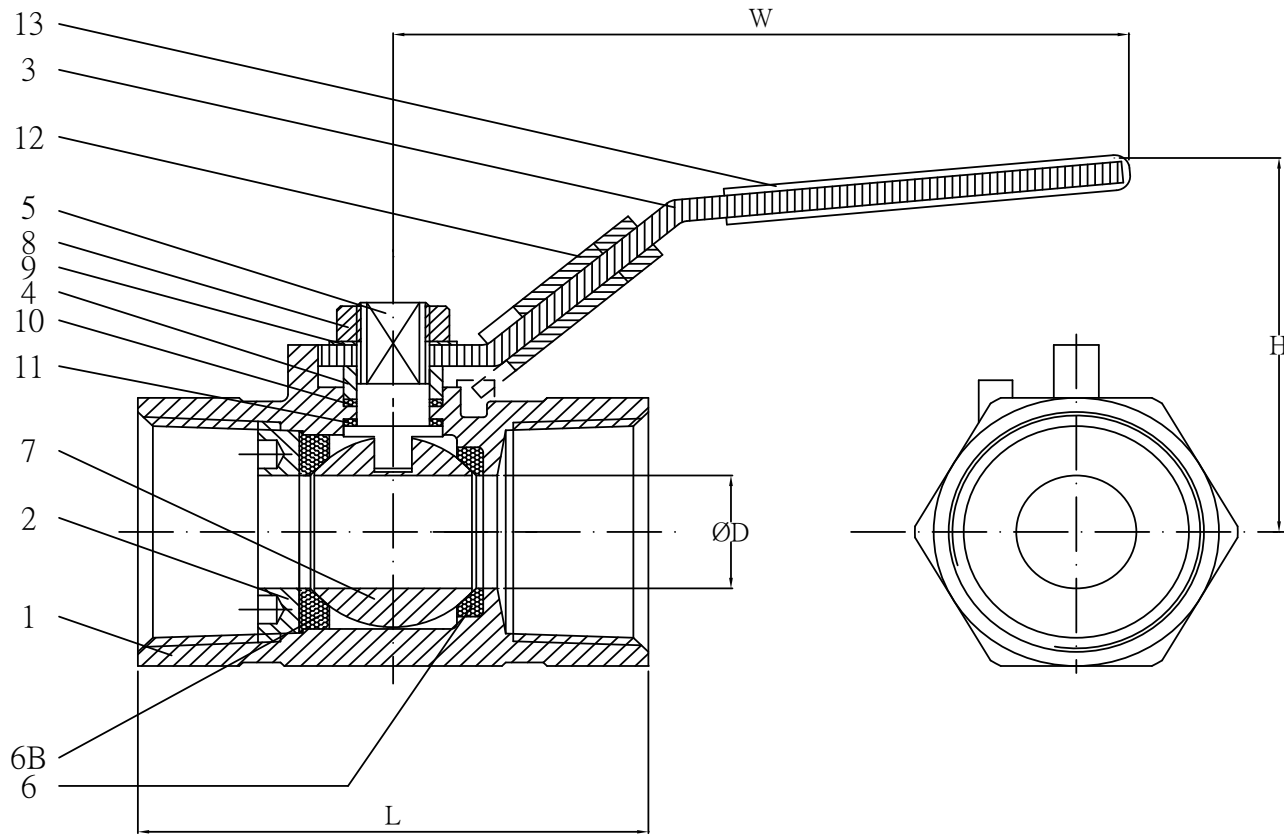
Cv, Weights & Port

Size	Cv	Wt (Lbs)	Port
1/4"	4	0.19	0.20
3/8"	4	0.24	0.32
1/2"	4.5	0.34	0.35
3/4"	9	0.53	0.49
1"	16	0.77	0.63
1-1/4"	24	1.54	0.79
1-1/2"	37	1.77	0.98
2"	68	2.79	1.26

Torques(in-lbs)

Size	Torque
1/4"	12
3/8"	12
1/2"	12
3/4"	20
1"	35
1-1/4"	55
1-1/2"	65
2"	80

Headquarters:
 One Merit Drive
 PO Box 43127
 Cleveland, OH 44143
 Tel: 216.261.9800
 Toll Free Tel: 800.726.9800
 Toll Free Fax: 855.MBFAXIT (623.2948)
 Email: mbsales@meritbrass.com
 Websites: www.meritbrass.com
 www.MBWebXpress.com



NO.	PART NAME	QTY	MATERIAL
1	BODY	1	ASTM A351 CF8M
2	INSERT	1	SUS316
3	HANDLE	1	SUS304
4	GLAND	1	SUS304
5	STEM	1	SUS316
6	SEAT RING	1	TEFLON
6B	SEAT RING	1	TEFLON

NO.	PART NAME	QTY	MATERIAL
7	BALL	1	SUS316
8	HANDLE NUT	1	SUS304
9	SPRING WASHER	1	SUS304
10	THRUST WASHER	1	TEFLON
11	THRUST WASHER	1	TEFLON
12	LOCKING DEVICE	1	SUS304
13	HANDLE COVER	1	PLASTIC

Unit: Inch

Size	D Port	L	H	W
1/4"	0.20	1.61	1.50	3.23
3/8"	0.32	1.73	1.57	3.23
1/2"	0.35	2.09	1.69	3.23
3/4"	0.49	2.36	1.97	3.94
1"	0.63	2.80	2.09	3.94
1-1/4"	0.79	3.23	2.60	5.91
1-1/2"	0.98	3.47	2.76	5.91
2"	1.26	4.09	2.95	5.91