

SIZE	A	B	C	E-øF	G1	G2	J1 (SQ.)	øK	øL	øM	N	ISO 5211	WEIGHT (lbs)	Cv	WET TORQUE (in-lbf)
2"	1.18 (30)	4.74 (120)	1.81 (46)	4-5/8"-11	6.38 (162)	2.99 (76)	0.35 (9)	0.43 (11)	2.76 (70)	3.54 (90)	10.35 (263)	F07	9	113	128
2-1/2"	1.18 (30)	5.49 (140)	1.93 (49)	4-5/8"-11	6.89 (175)	3.15 (80)	0.35 (9)	0.43 (11)	2.76 (70)	3.54 (90)	10.35 (263)	F07	10	192	142
3"	1.18 (30)	6.00 (153)	1.93 (49)	4-5/8"-11	7.13 (181)	3.74 (95)	0.35 (9)	0.43 (11)	2.76 (70)	3.54 (90)	10.35 (263)	F07	11	296	196
4"	1.18 (30)	7.50 (190)	2.17 (55)	8-5/8"-11	7.87 (200)	4.49 (114)	0.43 (11)	0.43 (11)	2.76 (70)	3.54 (90)	10.35 (263)	F07	16	588	338
5"	1.18 (30)	8.50 (216)	2.30 (59)	8-3/4"-10	8.39 (213)	5.00 (127)	0.55 (14)	0.43 (11)	2.76 (70)	3.54 (90)	10.35 (263)	F07	21	1001	526
6"	1.18 (30)	9.50 (242)	2.30 (59)	8-3/4"-10	8.86 (225)	5.51 (140)	0.55 (14)	0.43 (11)	2.76 (70)	3.54 (90)	10.35 (263)	F07	24	1548	867
8"	1.42 (36)	11.75 (299)	2.52 (64)	8-3/4"-10	10.24 (260)	6.81 (173)	0.67 (17)	0.51 (13)	4.02 (102)	4.92 (125)	14.02 (356)	F10	39	3075	1614
10"	1.42 (36)	14.25 (362)	2.82 (72)	12-7/8"-9	11.50 (292)	7.99 (203)	0.87 (22)	0.51 (13)	4.02 (102)	4.92 (125)	14.02 (356)	F10	58	5235	2658
12"	1.42 (36)	17.00 (432)	3.19 (81)	12-7/8"-9	13.27 (337)	9.33 (237)	0.87 (22)	0.51 (13)	4.02 (102)	4.92 (125)	14.02 (356)	F10	80	8085	4033

**PRODUCT INFORMATION:**  
 1. SEAT MATERIAL AVAILABLE IN: BUNA, EPDM, VITON  
 2. TEN POSITION LEVER HANDLE  
 3. GEAR OP AVAILABLE  
 4. DESIGNED FOR DEAD END SERVICE  
 5. COMPLETE BUTTERFLY VALVE AUTOMATION

**APPLICABLE STANDARDS:**  
 1. API 609: DESIGN CODE/ FACE TO FACE  
 2. ISO 5211: MOUNTING  
 3. API 598: INSPECTION AND TEST  
 4. ANSI 150LB: END STANDARD

ITEM NO.	DESCRIPTION	MATERIALS	QTY.
1	BODY	A536	1
2	DISC	A351-CF8M	1
3	SEAT	BUNA EPDM VITON	1
4	SHAFT	410 STAINLESS STEEL	1
5	BUSHING	PTFE	4
6	O-RING	BUNA EPDM VITON	1
7	BOLT	304 STAINLESS STEEL	2
8	INDICATOR	GALVANIZED STEEL	1
9	HANDLE LEVER	MALLEABLE IRON	1
10	NUT	304 STAINLESS STEEL	2
11	PIN QTY.: 2"-5": 1, 6"-12": 2	316 STAINLESS STEEL	-
12	FIX SCREW QTY.: 2"-3": 2, 4"-8": 4, 10"-12": 6	CARBON STEEL	-
13	SCREW CAP QTY.: 2"-3": 2, 4"-8": 4, 10"-12": 6	COMPOSITES	-

DRAWN BY C.L.	DATE 03/30/2021
CHECKED BY C.L.	DATE 03/30/2021
APPROVED BY J.S. <small>(FOR REF ONLY IF NOT APPROVED)</small>	DATE 03/30/2021

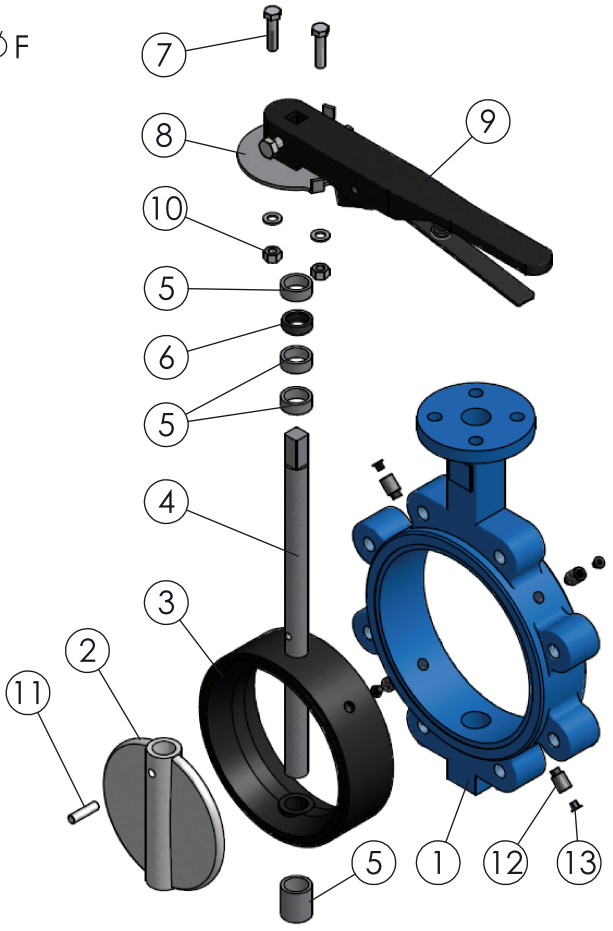
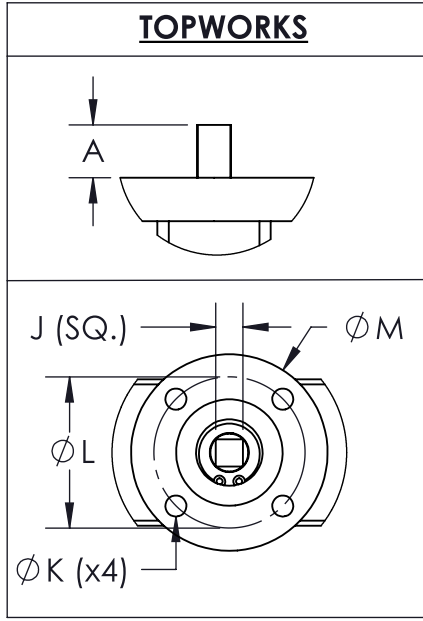
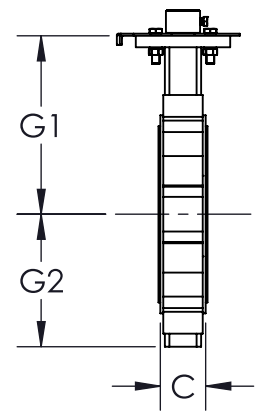
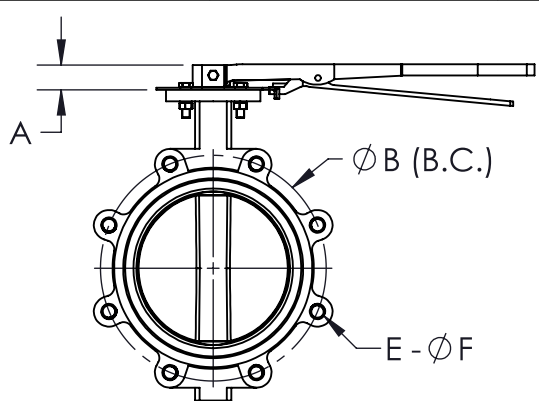
THE INFORMATION CONTAINED IN THIS DRAWING IS THE SOLE PROPERTY OF SVF FLOW CONTROLS, INC. ANY REPRODUCTION IN PART OR IN WHOLE WITHOUT THE WRITTEN CONSENT OF SVF FLOW CONTROLS, INC. IS PROHIBITED.

PROJECTION THIRD ANGLE

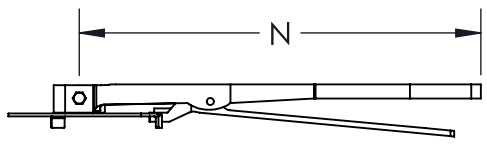
**OSVF**  
FLOW CONTROLS

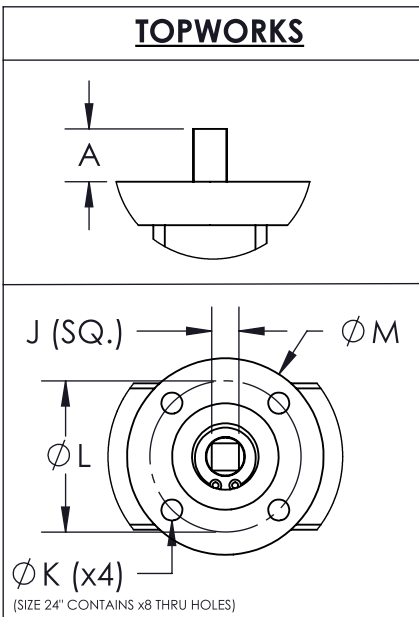
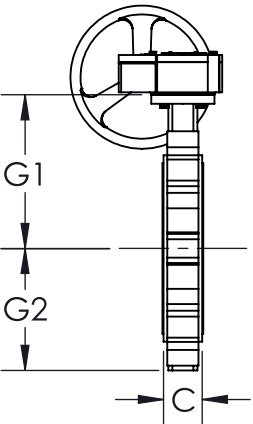
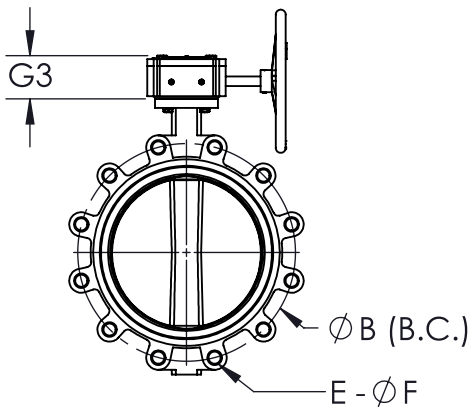
DESCRIPTION:  
2" - 12" STREAMLINE SLB LUG BUTTERFLY VALVE

UNITS: INCH (MILLIMETERS)    DATE: 03/30/2021    REV: A



**MALLEABLE LEVERS:**





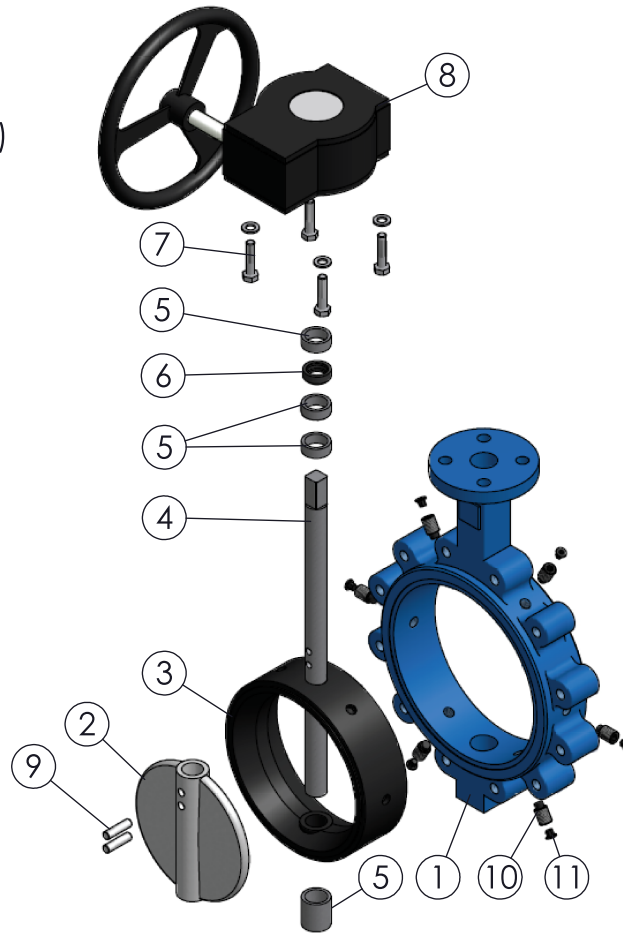
SIZE	A	B	C	E-øF	G1	G2	G3	J1 (SQ.)	øK	øL	øM	N1	N2	øW	ISO 5211	WEIGHT (lbs)	Cv	WET TORQUE (in-lbf)
14"	1.77 (45)	18.74 (476)	3.19 (81)	12-1"-8	14.49 (368)	11.02 (280)	3.35 (85)	0.87 (22)	0.51 (13)	4.02 (102)	4.92 (125)	3.19 (81)	9.02 (229)	11.81 (300)	F10	137	11680	4867
16"	2.01 (51)	21.24 (540)	3.54 (90)	16-1"-8	15.75 (400)	11.97 (304)	4.53 (115)	1.06 (27)	0.71 (18)	5.51 (140)	6.89 (175)	7.48 (190)	8.19 (208)	11.81 (300)	F14	242	16062	6681
18"	2.01 (51)	22.76 (578)	4.29 (109)	16-1-1/8"-7	16.73 (425)	14.25 (362)	4.53 (115)	1.18 (30)	0.71 (18)	5.51 (140)	6.89 (175)	7.48 (190)	8.19 (208)	11.81 (300)	F14	302	21275	8956
20"	2.52 (64)	25.00 (635)	5.31 (135)	20-1-1/8"-7	18.90 (480)	14.49 (368)	5.20 (132)	1.26 (32)	0.71 (18)	5.51 (140)	6.89 (175)	9.25 (235)	8.46 (215)	14.96 (380)	F14	428	27355	11947
24"	2.76 (70)	29.51 (750)	6.18 (157)	20-1-1/4"-7	22.13 (562)	17.48 (444)	5.47 (139)	1.57 (40)	0.71 (18)	10.00 (254)	11.81 (300)	12.80 (325)	8.39 (213)	14.96 (380)	F25	716	42254	18681

**PRODUCT INFORMATION:**

1. SEAT MATERIAL AVAILABLE IN: BUNA, EPDM, VITON
2. GEAR OP STANDARD
3. DESIGNED FOR DEAD END SERVICE
4. COMPLETE BUTTERFLY VALVE AUTOMATION

**APPLICABLE STANDARDS:**

1. API 609: DESIGN CODE/ FACE TO FACE
2. ISO 5211: MOUNTING
3. API 598: INSPECTION AND TEST
4. ANSI 150LB: END STANDARD



ITEM NO.	DESCRIPTION	MATERIALS	QTY.
1	BODY	A536	1
2	DISC	A351-CF8M	1
3	SEAT	BUNA EPDM VITON	1
4	SHAFT	410 STAINLESS STEEL	1
5	BUSHING	PTFE	4
6	O-RING	BUNA EPDM VITON	1
7	BOLT	304 STAINLESS STEEL	4
8	GEAR OPERATOR	CAST IRON	1
9	PIN	316 STAINLESS STEEL	2
10	FIX SCREW QTY: 14"-18": 6, 20"-24": 8	CARBON STEEL	-
11	SCREW CAP QTY: 14"-18": 6, 20"-24": 8	COMPOSITES	-

DRAWN BY C.L.	DATE 03/30/2021
CHECKED BY C.L.	DATE 03/30/2021
APPROVED BY J.S. <small>(FOR REF ONLY IF NOT APPROVED)</small>	DATE 03/30/2021

THE INFORMATION CONTAINED IN THIS DRAWING IS THE SOLE PROPERTY OF SVF FLOW CONTROLS, INC. ANY REPRODUCTION IN PART OR IN WHOLE WITHOUT THE WRITTEN CONSENT OF SVF FLOW CONTROLS, INC. IS PROHIBITED.

PROJECTION THIRD ANGLE

		DESCRIPTION:	
		14" - 24" STREAMLINE SLB LUG BUTTERFLY VALVE	
UNITS: INCH (MILLIMETERS)	DATE: 03/30/2021	REV: A	