


Plumbing · Heating · Gas · Industrial · Actuation · Hydronics



JP-150G

Press Connection Ball Valve

- IAPMO  Certified - NSF-372
- Dezincification resistant brass
- 100% Tested
- Blow-out Proof Stem
- Gland Follower and Single O-Ring Stem Design
- 1/2",-2" Press x Press Connection

Now Available in XLC Sizes



www.jomarvalve.com

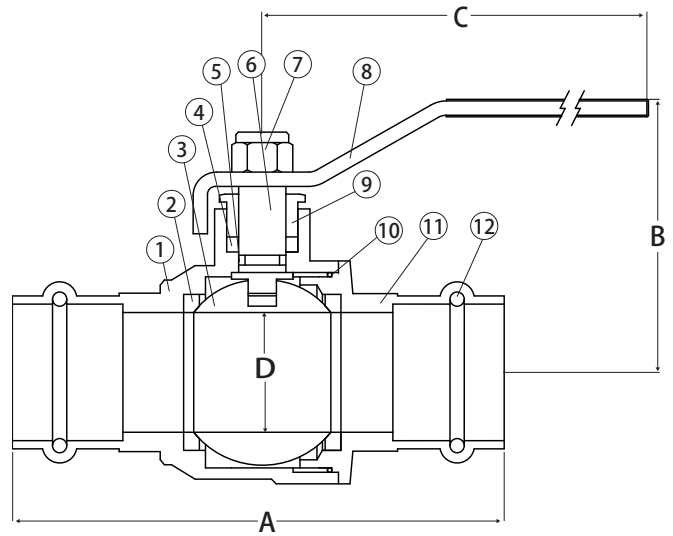
Lead Free Brass Ball Valve



2 Piece • Full Port • Press Connection • 250 WOG



JP-150G



Features

- Dezincification resistant brass
- Gland follower and single o-ring stem design
- Blow-out proof stem
- 100% leak tested
- Wetted surfaces contain less than .25% lead content

Approvals

- NSF 61-8
- NSF 372
- NSF 14
- Conforms to IAPMO PS 117

Pressure/Temperature Rating

- 250 WOG
- Max. 250° F

Material Specifications

No.	Part	Materials
1	Body	Lead Free Brass - C46500
2	Seat	PTFE
3	Ball	Lead Free Brass - C46500
4	Packing	PTFE
5	O-ring	Buna-N
6	Stem	Lead Free Brass - C46500
7	Handle Nut	Steel - Chrome Plated
8	Handle	Steel - Chrome Plated
9	Packing Nut	Brass - C37700
10	O-Ring	NBR
11	Cap	Lead Free Brass - C46500
12	O-Ring	EPDM

*Not shown

Dimensions

Part No.	Size	A	B	C	D
150-203G	1/2"	3.19	1.81	3.46	0.59
150-204G	3/4"	3.60	2.09	4.29	0.75
150-205G	1"	3.92	2.25	4.29	0.98
150-206G	1-1/4"	4.41	2.52	5.63	1.26
150-207G	1-1/2"	5.35	2.74	5.63	1.57
150-208G	2"	6.49	3.03	5.63	1.94

*Previously listed as JP-100G PxP