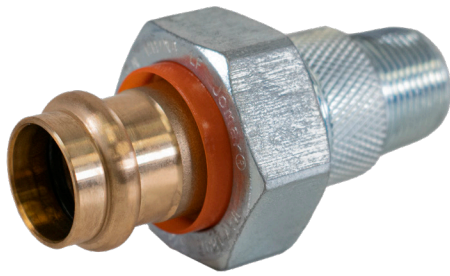
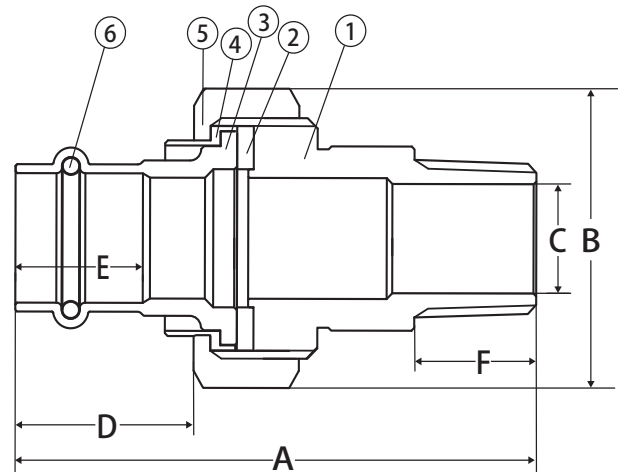


# Lead Free Dielectric Union

## Brass Press x Galvanized MIP • 250 PSI



**Brass Press x Galvanized MIP**



### Features

- Prevents accelerated corrosion
- -20°F to 180°F - EPDM gasket
- Wetted surfaces contain less than .25% lead content

### Approvals



- Conforms to IAPMO PS117
- Conforms to ANSI B1.20.1
- IAPMO Certified
  - NSF 61-8
  - NSF 372
  - Uniform plumbing code (cUPC)
    - IAPMO/ANSI Z1157-2014
    - NSF/ANSI 14-2014

### Pressure Rating

- 250 PSI

### Material Specifications

No.	Part	Materials
1	Female Fitting	Zinc-Plated Steel
2	Gasket	EPDM
3	Press Fitting	Brass C46500
4	Ring	Polyethylene
5	Nut	Zinc-Plated Steel
6	O-Ring	EPDM

### Dimensions

Part No.	Size	A	B	C	D	E	F
701-803G	1/2"	3.36	1.57	0.55	1.15	0.71	0.81
701-804G	3/4"	3.70	1.81	0.75	1.26	0.93	0.87



**WARNING:** This product can expose you to chemicals including lead, which is known to the State of California to cause cancer, and lead, which is known to the State of California to cause birth defects or other reproductive harm. For more information go to [www.P65Warnings.ca.gov](http://www.P65Warnings.ca.gov).