

Brass Ball Valve

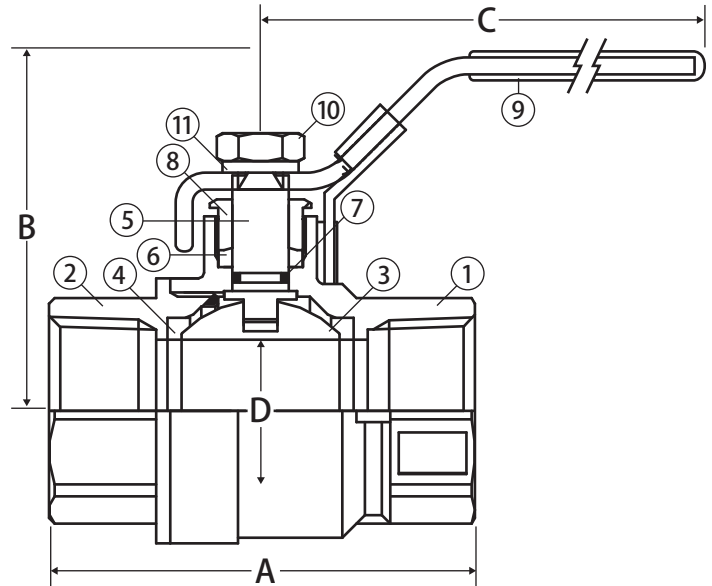


2 Piece • Full Port • Threaded Connection • 600 WOG •
with Latch Lock Handle



JF-100T-LH

CRN# OC16654.5



Features

- Gland follower and single o-ring stem design
- Blow-out proof stem
- Latch lock handle
- 100% leak tested

Approvals

- UL Listed up to 600 PSIG (1/4" - 1"), 300 PSIG (1-1/4" - 2"), 250 PSIG (2-1/2" - 4")
 - MHKZ - Manual valves
 - YRPV - Gas shut-off valves
 - YQNZ - Compressed gas shut-off valves
 - YRBX - Flammable liquid shut-off valves
 - YSDT - LP gas shut-off valves
- CSA Certified
 - CGA 3.16 (125 PSIG)
 - ANSI Z21.15 (.5 PSIG)
 - CGA CR91 (5 PSIG)
 - ASME B16.44 (5 PSIG)
 - ASME B16.33 (1/2" - 2")
 - ASME B16.38 (2-1/2" - 3")
- FM Approval (1/4" - 2")
- MSS SP-110
- ANSI B1.20.1

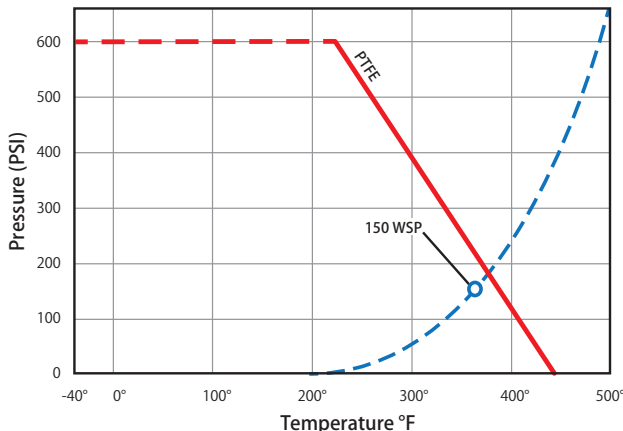
Material Specifications

No.	Part	Materials
1	Body	Brass - C37700
2	End Connection	Brass - C37700
3	Ball	Chrome Plated Brass - C37700
4	Seat (2)	PTFE
5	Stem	Brass - C37700
6	Packing	PTFE
7	Stem O-ring	Buna-N
8	Packing Gland	Brass - C37700
9	Handle	Steel - Chrome Plated
10	Handle Nut	Steel - Chrome Plated
11	Lock Washer	Steel - Chrome Plated

Dimensions

Part No.	Size	A	B	C	D	Cv
100-101LH	1/4"	1.73	2.63	4.49	0.39	7.7
100-102LH	3/8"	1.73	2.63	4.49	0.39	7.8
100-103LH	1/2"	2.28	2.69	4.49	0.59	16.8
100-104LH	3/4"	2.52	2.91	4.86	0.75	34.8
100-105LH	1"	2.97	3.22	4.86	0.98	52.2
100-106LH	1-1/4"	3.44	3.45	5.59	1.26	112.5
100-107LH	1-1/2"	3.88	3.59	5.59	1.57	174.0
100-108LH	2"	4.29	3.97	5.59	1.97	255.2
100-109LH	2-1/2"	5.59	4.88	7.35	2.52	350.3
100-110LH	3"	6.34	5.25	7.35	2.95	563.7
100-111LH	4"	7.83	6.10	8.55	3.90	879.3

Valve Seat Rating 600 WOG - 150 WSP



WARNING: This product can expose you to chemicals including lead, which is known to the State of California to cause cancer, and lead, which is known to the State of California to cause birth defects or other reproductive harm. For more information go to www.P65Warnings.ca.gov.