

**GroovJoint™**

**2021 Sales Catalog**



# About GroovJoint

Since 2003, GroovJoint has been providing quality stainless steel piping products in a wide range of applications.

Located in the heart of the Midwestern United States, GroovJoint utilizes skilled craftsmen and quality raw materials to produce exceptional products right here in the USA.

Our innovative design team can customize our offerings to meet your toughest needs.

The GroovJoint product line includes the following products:

**GroovJoint Grooved Fittings** are produced in Sch. 10 and Sch. 40 pipe thicknesses. The size range for Sch. 10 stainless steel is 1" - 24" roll grooved in both 304L and 316L grades. In Sch. 40 stainless steel, the range is 1" - 12" in both 304L and 316L. The Sch. 40 product line includes both roll grooved and cut grooved ends. The product line also includes stainless steel Flanged Adaptors in Sch. 10 and Sch. 40 material in 304L and 316L grades.

**PressJoint** press end fittings are offered in a wide range of sizes and configurations (1/2" - 2") compatible with both Sch. 5 and Sch. 10S stainless steel pipe. The PressJoint fitting method allows easier installation than traditional welded or threaded piping methods. It can be used in a wide range of applications.

All of the products listed above are used in the following industries:

- Mining
- Pulp and Paper
- HVAC
- Mechanical
- Plumbing
- Fire Protection
- Process Piping
- Marine
- Oil and Gas

**Let GroovJoint handle your piping needs.**



**GroovJoint fittings installed**



# Table of Contents

About GroovJoint		inside front cover
Company Profile		page 2
Approvals/Certification		page 3
GroovJoint Stainless Steel Grooved Fittings Product Line		pages 4-28
Duplex Heavy-Duty Flexible Coupling	page 6	
Rigid Couplings	page 7	
Flexible Couplings	page 8	
Galvanized Rigid Couplings	page 9	
90° Elbows	page 10	
45° Elbows	page 11	
Tees	page 12	
Reducing Tees	pages 13-14	
Grooved by Press Reducing Tees	page 15	
Concentric Reducers	pages 16-17	
Eccentric Reducers	pages 18-19	
1 1/4° Elbows	page 20	
22 1/2° Elbows	page 21	
45° Laterals	page 22	
45° Reducing Laterals	pages 23	
316 Stainless Steel Butterfly Valve	page 24	
End Caps, Flange Adaptors	page 25	
316 Stainless Steel Cast Flange Adaptors	page 26	
Schedule 40 Stainless Steel Fittings		page 27
Fabrication		page 28
Grooved Piping General Specifications		pages 29-31
Roll Groove Specifications	page 30	
Cut Groove Specifications	page 31	
PressJoint Stainless Steel Press Style Fittings Product Line		pages 32-46
Couplings, Slip Couplings, 316 SS 90° Elbows	page 34	
316 SS 90° Street Elbows, 316 SS 45° Elbows,		
316 SS 45° Street Elbows	page 35	
316 SS Reducing Tee w/FPT Branch	page 36	
316 SS Fitting by Press Reducer	page 37	
316 SS Reducing Tees	page 38	
316 SS Tees	page 39	
316 SS Female Adaptors	page 40	
316 SS Male Adaptors	page 41	
316 SS Flange Adaptors Press x Flg,		
316 SS End Caps, 316 SS Unions Press x Press	page 42	
316 SS Van Stone Flg Adaptors,	page 43	
316 SS Weld Adaptors		
3 PCS SS Ball Valve Press x Presses,	page 44	
Actuation		
Main Pressfitting Tools	pages 45-46	
TUF-LUBE™ Grooved Coupling Gasket Grease		page 47
Notes	pages 48	
Data Sheets; Terms & Conditions of Sale		inside back cover

# Company Profile

## SINCE 2003: A COMMITMENT TO COMPLETE CUSTOMER SATISFACTION

In the ever-changing world of construction management, there are always new and exciting companies that come to market in order to help reduce the contractors costs and improve the time it takes to complete a project safely and under budget.

With that premise in mind. GroovJoint LLC was founded as a company that could deliver a complete combination of value, products, services, and personal performances. Due to a strong commitment to this critical and core belief, this has been our business philosophy since day one.

Headquartered in Chicago, Illinois, is our global sales office. The midwestern United States is home to some of the hardest working people in the United States that we draw our talent from. We also rely on many other manufacturing companies throughout the United States to provide us with quality raw materials and services.

We are a company that has experienced year over year growth during a global construction downturn during the past five-plus years. That in itself is a testament to our business model. As a manufacturing company that competes on a global scale, we must constantly seek ways to produce our product in a manner that is lean, equitable and empowered.

**Lean** with regard to our manufacturing philosophy.

**Equitable** in our commitment to balance people and profit.

**Empowered** by building a work force that is committed to quality.

Our management team has over 100+ years in the piping industry. Because our only product is stainless steel piping components, it allows us to be experts at what we do best. We constantly measure our performance and look for new ways to improve our product through collaboration with our suppliers.

Our company and our employees all believe in a few basic principles;

1. Our primary mission is to serve our customer.
2. We are to provide quality products to the construction industry.
3. All of our products must be priced competitively.
4. Service is what sets us apart from the competition.

These basic principles are the foundation of our company.

Those basic principles are what makes us a company that you can rely on to help complete your construction projects on time.

# Approvals/Certification

GroovJoint fittings undergo rigorous testing before going to market. All fittings must pass dimensional and chemical analysis prior to shipping.





# Stainless Steel Grooved Fittings



# GroovJoint Stainless Steel Grooved Fittings Product Line

GroovJoint Stainless Steel Grooved Pipe Fittings are designed to reduce labor costs in the field by using the grooved method for the installation of piping systems.

GroovJoint grooved pipe fittings are full-flow design in both 304L and 316L grades of stainless steel, conforming to ASTM A403 in sizes 1" - 12".

For product ranging from 1" - 12", fittings are offered in both Sch. 10 and Sch. 40 wall thicknesses. Sch. 40 fittings can be roll grooved or cut grooved depending on the customer's requirements.

14" - 24" roll grooved fittings are manufactured from material conforming to:

90° Elbows: A403WPW/A774

45° Elbows: A403WPW/A774

Tees: A403CR

Reducing Tees: A403CR

Concentric Reducers: A403CR

Laterals: A774/ASTM774



Certified to NSF/ANSI 61



Certified to NSF/ANSI 61-G





# STAINLESS STEEL SYSTEMS

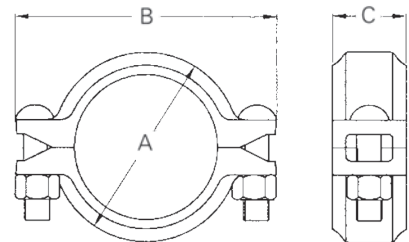
## Duplex Heavy-Duty Flexible Coupling Model 76DU CD3MN-2205

### Heavy-Duty Flexible Coupling with "C" Style EPDM Gasket

Maximum cold working pressure (CWP) is based on the following criteria:

2" - 6" Sch. 40 pipe with cut grooves      1200 psi  
2" - 6" Sch. 80 pipe with cut grooves      1200 psi

The Model 76DU is available in Duplex CD3MN (2205) and is used in corrosive applications at higher pressures. The couplings are supplied with an EPDM C style gasket and 316 Bolts and 316 Teflon dipped Nuts (to eliminate galling).



Pipe Size		Nominal Dimensions			Bolt Sizes		Max. Pressure <i>psi</i>	Degress per Coupling	Inches per 20' Pipe Length Inches <i>mm</i>
Nominal Size Inches <i>DN</i>	O.D. Inches <i>mm</i>	A MM	B MM	C MM	NO.	Size Lengths Inches			
<b>2</b>	<b>2.375</b>	130	85	45	2	3/8*2	1200	2°-20'	<b>9.7</b>
50	60.3								246.4
<b>2-1/2</b>	<b>2.875</b>	150	96	45	2	1/2*2-1/2	1200	2°-10'	<b>9.0</b>
65A	73.0								228.6
<b>3</b>	<b>3.500</b>	163	113	45	2	1/2*2-3/4	1200	1°-47'	<b>7.4</b>
80	88.9								188.0
<b>4</b>	<b>4.500</b>	202	144	50	2	5/8*3-1/4	1200	3°-0'	<b>12.6</b>
100	114.3								320.0
<b>6</b>	<b>6.625</b>	279	202	52	2	3/4*4-1/4	1200	2°-22'	<b>9.9</b>
150A	168.3								251.5



# STAINLESS STEEL SYSTEMS

## Rigid Couplings part #24

### Standard Weight Rigid Coupling with "C" Gasket

Maximum working pressure depending on schedule of pipe:

- 1-1/2"-12" Sch.10 stainless steel pipe 300psi (20.7bar)
- 1-1/2"-12" Sch. 40 stainless steel pipe 600psi (41.1bar)

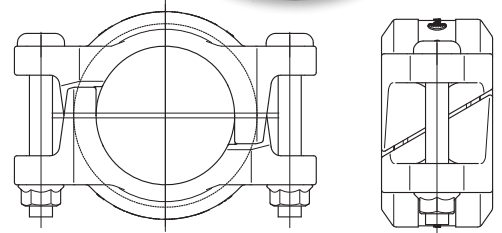
Gasket Grade E-EPDM (green stripe) -30F to 230F Gasket Grade T-Nitrile (orange stripe) -20F to 180F

UL 213 Tested and Approved and NSF 61 Approved  
Viton gaskets

316 Stainless Steel Couplings conform to ASTM A743/A743M

Bolts conform to ASTM A193M Class 2, Type 304 B8M

Stainless Steel Nuts are hex nuts conform to ASTM A 194M Type 304



Pipe Size		Max. † Pressures psi (bar)	Nominal Dimensions			Coupling Bolts	
Nominal ANSI Inches DN	O.D. Inches mm		A Inches mm	B Inches mm	C Inches mm	Qty.	Size** Inches
<b>1-1/2</b>	<b>1.900</b>	<b>600</b>	<b>2.83</b>	<b>4.29</b>	<b>1.81</b>	<b>2</b>	<b>3/8</b>
DN40	(48.3)	(42.0)	(72.0)	(109.0)	(46.0)		
<b>2</b>	<b>2.375</b>	<b>600</b>	<b>3.41</b>	<b>5.12</b>	<b>1.88</b>	<b>2</b>	<b>3/8</b>
DN50	(60.3)	(41.4)	(86.6)	(130.0)	(47.8)		
<b>2-1/2</b>	<b>2.875</b>	<b>600</b>	<b>3.91</b>	<b>5.63</b>	<b>1.88</b>	<b>2</b>	<b>3/8</b>
DN65	(73.0)	(41.4)	(99.3)	(143.0)	(47.8)		
<b>3</b>	<b>3.500</b>	<b>600</b>	<b>4.63</b>	<b>6.25</b>	<b>1.88</b>	<b>2</b>	<b>3/8</b>
DN80	(88.9)	(41.4)	(117.6)	(158.8)	(47.8)		
<b>4</b>	<b>4.500</b>	<b>600</b>	<b>5.81</b>	<b>7.50</b>	<b>1.97</b>	<b>2</b>	<b>3/8</b>
DN100	(114.3)	(41.4)	(147.6)	(190.5)	(50.0)		
<b>5</b>	<b>5.563</b>	<b>600</b>	<b>7.09</b>	<b>9.71</b>	<b>2.04</b>	<b>2</b>	<b>1/2</b>
DN125	(141.3)	(41.4)	(180.1)	(246.6)	(51.8)		
<b>6</b>	<b>6.625</b>	<b>600</b>	<b>8.09</b>	<b>10.53</b>	<b>2.13</b>	<b>2</b>	<b>1/2</b>
DN150	(168.3)	(41.4)	(205.5)	(267.5)	(54.1)		
<b>8</b>	<b>8.625</b>	<b>600</b>	<b>10.56</b>	<b>13.56</b>	<b>2.62</b>	<b>2</b>	<b>5/8</b>
DN200	(219.1)	(41.4)	(268.2)	(344.4)	(66.5)		
<b>10</b>	<b>10.750</b>	<b>600</b>	<b>12.84</b>	<b>16.41</b>	<b>2.62</b>	<b>2</b>	<b>7/8</b>
DN250	(273.0)	(41.4)	(326.1)	(416.8)	(66.5)		
<b>12</b>	<b>12.750</b>	<b>600</b>	<b>15.41</b>	<b>18.84</b>	<b>2.62</b>	<b>2</b>	<b>7/8</b>
DN300	(323.9)	(41.4)	(391.4)	(478.5)	(66.5)		



Other Gasket styles are available upon request.



Tested and Certified to  
UL 213 Standards



Certified to  
NSF/ANSI 61-G

GroovJoint reserves the right to change the contents without notice.

# STAINLESS STEEL SYSTEMS

## Flexible Couplings model #15

### Standard Weight Flexible Coupling with "C" Gasket

Maximum working pressure depending on schedule of pipe:

1"-8" Sch.10 pipe 300psi (20.7 bar)

1"-8" Sch. 40 pipe 600psi (41.1 bar)

NSF61 Approved

Gasket Grade E – EPDM (green stripe) -30°F to +230°F

Gasket Grade T – Nitrile (orange stripe) -20°F to +180°F

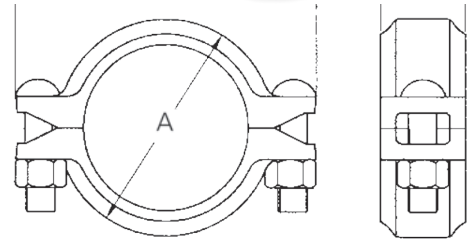
316 Stainless Steel Couplings conform to ASTM A743/A743M

Bolts conform to ASTM A193M Class 2,

Type 304 Grade B8M

Stainless Steel Nuts are hex nuts conforming to

ASTM A 194M Type 304, Grade 8M



Pipe Size		Max. Working Pressure (CWP) psi (bar)	Nominal Dimensions			Coupling Bolt Size Inches	Weight Lbs Kgs
Nominal Size Inches DN	O.D. Inches mm		A Inches mm	B Inches mm	C Inches mm		
<b>1</b>	<b>1.315</b>	<b>600</b>	<b>2.19</b>	<b>3.45</b>	<b>1.73</b>	<b>3/8</b>	<b>1.1</b>
25	33.4	41.1	55.7	87.5	44.0		0.5
<b>1-1/4</b>	<b>1.660</b>	<b>600</b>	<b>2.54</b>	<b>3.85</b>	<b>1.73</b>	<b>5/16</b>	<b>1.1</b>
32	42.2	35	64.6	97.8	44.0		0.5
<b>1-1/2</b>	<b>1.900</b>	<b>600</b>	<b>2.79</b>	<b>4.14</b>	<b>1.73</b>	<b>3/8</b>	<b>1.1</b>
40	48.3	41.1	70.8	105.1	44.0		0.5
<b>2</b>	<b>2.375</b>	<b>600</b>	<b>3.28</b>	<b>4.88</b>	<b>1.73</b>	<b>3/8</b>	<b>1.5</b>
50	60.3	41.1	83.0	124.0	44.0		0.7
<b>2-1/2</b>	<b>2.875</b>	<b>600</b>	<b>3.875</b>	<b>5.55</b>	<b>1.73</b>	<b>3/8</b>	<b>1.8</b>
65	73.0	41.1	98.4	141.0	45.0		.82
<b>3</b>	<b>3.500</b>	<b>600</b>	<b>4.39</b>	<b>6.18</b>	<b>1.73</b>	<b>3/8</b>	<b>2.2</b>
80	88.9	41.1	111.0	157.0	44.0		1.0
<b>4</b>	<b>4.500</b>	<b>600</b>	<b>5.62</b>	<b>7.87</b>	<b>1.97</b>	<b>3/8</b>	<b>3.7</b>
100	114.3	41.1	143.0	200.0	50.0		1.7
<b>6</b>	<b>6.625</b>	<b>600</b>	<b>7.80</b>	<b>9.96</b>	<b>2.09</b>	<b>1/2</b>	<b>6.4</b>
150	168.3	41.1	198.0	253.1	53.0		2.9
<b>8</b>	<b>8.625</b>	<b>600</b>	<b>10.04</b>	<b>13.27</b>	<b>2.44</b>	<b>5/8</b>	<b>14.1</b>
200	219.1	41.1	255.0	337.0	62.0		6.4



Certified to  
NSF/ANSI 61-G

# STAINLESS STEEL SYSTEMS

## Galvanized Rigid Couplings

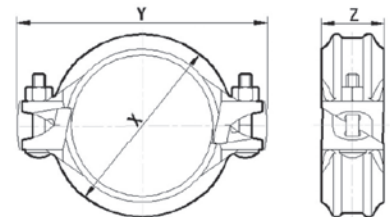
### Ducco GT 4020

- 60° angle pad design
- Resists flexural and torsion load
- Listed pressure is maximum working pressure; for the fire protection application, approved pressure by related authorities should be used

**UL/ULC: 300PSI**

**FM: 300PSI**

- Couplings come with EPDM Gaskets as standard; nitrile gaskets are available upon request
- Manufactured by DUCCO Industries; sold by GroovJoint

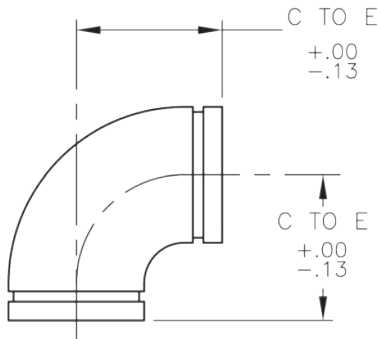


Pipe Size Inches mm	Coupling Dimensions			No.	Bolt Size x Length Inches mm	Max. Working Pressure psi	Approx. Weight each lbs/kgs	Allowable Pipe End Separation Inches mm
	X Inches mm	Y Inches mm	Z Inches mm					
<b>1</b>	<b>2.17</b>	<b>3.86</b>	<b>1.77</b>	<b>2</b>	<b>3/8 x 2</b>	<b>750</b>	<b>1.3</b>	<b>0.09</b>
25	55	98	45		M10x50		0.6	2.20
<b>1-1/4</b>	<b>2.36</b>	<b>4.21</b>	<b>1.77</b>	<b>2</b>	<b>3/8 x 2</b>	<b>750</b>	<b>1.3</b>	<b>0.09</b>
32	60	107	45		M10x50		0.6	2.20
<b>1-1/2</b>	<b>2.80</b>	<b>4.49</b>	<b>1.77</b>	<b>2</b>	<b>3/8 x 2</b>	<b>750</b>	<b>1.4</b>	<b>0.09</b>
40	71	114	45		M10x50		0.7	2.20
<b>2</b>	<b>3.35</b>	<b>5.04</b>	<b>1.77</b>	<b>2</b>	<b>3/8 x 2</b>	<b>750</b>	<b>1.8</b>	<b>0.09</b>
50	85	128	45		M10x50		0.8	2.20
<b>2-1/2</b>	<b>3.94</b>	<b>5.79</b>	<b>1.89</b>	<b>2</b>	<b>3/8 x 2-1/4</b>	<b>750</b>	<b>2.4</b>	<b>0.11</b>
65	100	147	48		M10x55		1.1	2.70
<b>3</b>	<b>4.45</b>	<b>6.34</b>	<b>1.89</b>	<b>2</b>	<b>3/8 x 2-1/4</b>	<b>750</b>	<b>2.6</b>	<b>0.11</b>
80	113	161	48		M10x55		1.2	2.70
<b>4</b>	<b>5.63</b>	<b>7.68</b>	<b>2.09</b>	<b>2</b>	<b>3/8 x 2-1/2</b>	<b>750</b>	<b>3.5</b>	<b>0.19</b>
100	143	195	53		M10x60		1.6	4.70
<b>5</b>	<b>6.77</b>	<b>9.06</b>	<b>2.09</b>	<b>2</b>	<b>1/2 x 3</b>	<b>750</b>	<b>5.1</b>	<b>0.19</b>
125	172	230	53		M12x75		2.3	4.70
<b>6</b>	<b>7.87</b>	<b>10.43</b>	<b>2.13</b>	<b>2</b>	<b>1/2 x 3</b>	<b>750</b>	<b>6.0</b>	<b>0.19</b>
150	200	265	54		M12x75		2.7	4.70
<b>8</b>	<b>10.24</b>	<b>13.94</b>	<b>2.32</b>	<b>2</b>	<b>3/4 x 4-1/4</b>	<b>600</b>	<b>10.4</b>	<b>0.23</b>
200	260	354	59		M20x110		4.7	5.90
<b>10</b>	<b>12.4</b>	<b>15.98</b>	<b>2.48</b>	<b>2</b>	<b>3/4 x 4-1/4</b>	<b>600</b>	<b>13.2</b>	<b>0.25</b>
250	315	406	63		M20x110		6.0	6.40
<b>12</b>	<b>14.49</b>	<b>18.19</b>	<b>2.52</b>	<b>2</b>	<b>3/4 x 4-1/4</b>	<b>600</b>	<b>17.6</b>	<b>0.25</b>
300	368	462	64		M20x110		8.0	6.40



# STAINLESS STEEL SYSTEMS

## 90° Elbows



part #469

### Sch. 10 Stainless Steel

Other options available:

- Grooved x Plain End
- Drain Elbows with/FPT attached

Pipe Size		C to E Inches mm	Approx. Weight Lbs. kg
Nominal Inches mm	O.D. Inches mm		
<b>1</b>	<b>1.315</b>	<b>2.88</b>	<b>1.0</b>
25	33.4	73.2	0.45
<b>1-1/4</b>	<b>1.660</b>	<b>3.13</b>	<b>1.0</b>
32	42.4	79.5	0.45
<b>1-1/2</b>	<b>1.900</b>	<b>3.50</b>	<b>1.0</b>
40	48.3	88.9	0.45
<b>2</b>	<b>2.375</b>	<b>4.50</b>	<b>1.1</b>
50	60.3	114.3	0.50
<b>2-1/2</b>	<b>2.875</b>	<b>5.00</b>	<b>1.7</b>
65	73.0	127.0	0.77
<b>3</b>	<b>3.500</b>	<b>4.50</b>	<b>2.6</b>
80	88.9	114.3	1.18
<b>4</b>	<b>4.500</b>	<b>6.00</b>	<b>4.7</b>
100	114.3	152.4	2.13
<b>5</b>	<b>5.563</b>	<b>7.50</b>	<b>8.4</b>
125	141.3	190.5	3.81
<b>6</b>	<b>6.625</b>	<b>9.00</b>	<b>10.3</b>
150	168.3	228.6	4.67
<b>8</b>	<b>8.625</b>	<b>12.00</b>	<b>17.6</b>
200	219.1	304.8	7.98
<b>10</b>	<b>10.750</b>	<b>15.00</b>	<b>49.2</b>
250	273.0	381.0	22.32
<b>12</b>	<b>12.750</b>	<b>18.00</b>	<b>78.4</b>
300	323.9	457.2	35.56
<b>14</b>	<b>14</b>	<b>21</b>	<b>80</b>
355	355	533	36
<b>16</b>	<b>16</b>	<b>24</b>	<b>104</b>
406	406	609	47
<b>18</b>	<b>18</b>	<b>27</b>	<b>133</b>
457	457	685	60
<b>20</b>	<b>20</b>	<b>30</b>	<b>189</b>
508	508	762	85
<b>24</b>	<b>24</b>	<b>36</b>	<b>315</b>
609	609	914	142



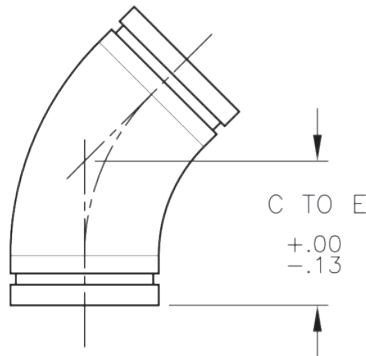
Certified to  
NSF/ANSI 61-G



**MAXIMUM WORKING PRESSURE** – See specific data sheet for rating of coupling in use.

# STAINLESS STEEL SYSTEMS

## 45° Elbows



part #464

Sch. 10 Stainless Steel

Pipe Size		C to E Inches mm	Approx. Weight Lbs. kg
Nominal Inches mm	O.D. Inches mm		
<b>1</b>	<b>1.315</b>	<b>2.00</b>	<b>0.6</b>
25	33.4	50.8	0.27
<b>1-1/4</b>	<b>1.660</b>	<b>2.00</b>	<b>0.8</b>
32	42.4	50.8	0.36
<b>1-1/2</b>	<b>1.900</b>	<b>2.25</b>	<b>1.0</b>
40	48.3	88.9	0.45
<b>2</b>	<b>2.375</b>	<b>2.75</b>	<b>1.2</b>
50	60.3	69.9	0.54
<b>2-1/2</b>	<b>2.875</b>	<b>2.81</b>	<b>1.7</b>
65	73.0	71.4	0.77
<b>3</b>	<b>3.500</b>	<b>2.00</b>	<b>1.3</b>
80	88.9	50.8	0.59
<b>4</b>	<b>4.500</b>	<b>2.50</b>	<b>2.3</b>
100	114.3	63.5	1.04
<b>5</b>	<b>5.563</b>	<b>3.13</b>	<b>4.2</b>
125	141.3	79.4	1.90
<b>6</b>	<b>6.625</b>	<b>3.75</b>	<b>5.1</b>
150	168.3	95.3	2.31
<b>8</b>	<b>8.625</b>	<b>5.00</b>	<b>13.8</b>
200	219.1	127.0	6.26
<b>10</b>	<b>10.750</b>	<b>6.25</b>	<b>24.6</b>
250	273.0	158.8	11.16
<b>12</b>	<b>12.750</b>	<b>7.50</b>	<b>39.2</b>
300	323.9	190.5	17.78
<b>14</b>	<b>14</b>	<b>8.8</b>	<b>40</b>
355	355	223.0	18
<b>16</b>	<b>16</b>	<b>10.0</b>	<b>52</b>
406	406	254.0	23
<b>18</b>	<b>18</b>	<b>11.3</b>	<b>67</b>
457	457	287.0	31
<b>20</b>	<b>20</b>	<b>12.5</b>	<b>95</b>
508	508	317.0	43
<b>24</b>	<b>24</b>	<b>15.0</b>	<b>158</b>
609	609	381.0	71



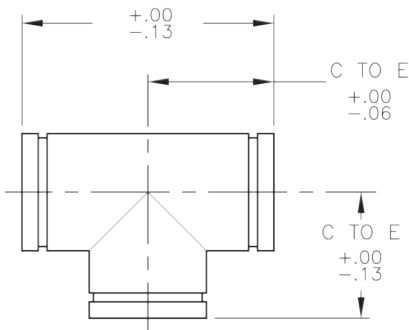
Certified to  
NSF/ANSI 61-G



**MAXIMUM WORKING PRESSURE** – See specific data sheet for rating of coupling in use.

# STAINLESS STEEL SYSTEMS

## Tees



part #46T

Sch. 10 Stainless Steel

Pipe Size		C to E Inches mm	Approx. Weight Lbs. kg
Nominal Inches mm	O.D. Inches mm		
<b>1</b>	<b>1.315</b>	<b>2.88</b>	<b>1.0</b>
25	33.4	73.2	0.45
<b>1-1/4</b>	<b>1.660</b>	<b>3.38</b>	<b>1.5</b>
32	42.4	85.9	0.68
<b>1-1/2</b>	<b>1.900</b>	<b>3.38</b>	<b>1.6</b>
40	48.3	85.9	0.73
<b>2</b>	<b>2.375</b>	<b>2.75</b>	<b>2.3</b>
50	60.3	69.9	1.04
<b>2-1/2</b>	<b>2.875</b>	<b>3.07</b>	<b>2.2</b>
65	73.0	78.0	1.00
<b>3</b>	<b>3.500</b>	<b>3.77</b>	<b>3.1</b>
80	88.9	95.8	1.41
<b>4</b>	<b>4.500</b>	<b>4.47</b>	<b>4.9</b>
100	114.3	113.5	2.22
<b>5</b>	<b>5.563</b>	<b>5.91</b>	<b>7.1</b>
125	141.3	150.1	3.49
<b>6</b>	<b>6.625</b>	<b>5.91</b>	<b>11.7</b>
150	168.3	150.1	5.31
<b>8</b>	<b>8.625</b>	<b>7.79</b>	<b>20.0</b>
200	219.1	197.9	9.07
<b>10</b>	<b>10.750</b>	<b>8.89</b>	<b>34.4</b>
250	273.0	225.8	15.60
<b>12</b>	<b>12.750</b>	<b>10.39</b>	<b>52.5</b>
300	323.9	263.9	23.81
<b>14</b>	<b>14</b>	<b>11</b>	<b>54</b>
355	355	279	24
<b>16</b>	<b>16</b>	<b>12</b>	<b>65</b>
406	406	300	29
<b>18</b>	<b>18</b>	<b>14</b>	<b>83</b>
457	457	355	37
<b>20</b>	<b>20</b>	<b>15</b>	<b>118</b>
508	508	381	53
<b>24</b>	<b>24</b>	<b>22</b>	<b>179</b>
609	609	558	81



Certified to  
NSF/ANSI 61-G

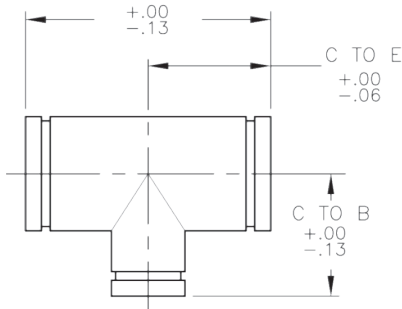


**MAXIMUM WORKING PRESSURE** – See specific data sheet for rating of coupling in use.



# STAINLESS STEEL SYSTEMS

## Reducing Tees



part #46RT

Sch. 10 Stainless Steel

Pipe Size		C to E Inches mm	C to B Inches mm	Approx. Weight Lbs. kg
Nominal Inches mm	O.D. Inches mm			
<b>1-1/2 x 1-1/2 x 1</b>	<b>1.900 x 1.900 x 1.315</b>	<b>2.75</b>	<b>2.75</b>	<b>1.6</b>
40 x 40 x 25	48.3 x 48.3 x 33.4	85.9	85.9	0.73
<b>1-1/2 x 1-1/2 x 1-1/4</b>	<b>1.900 x 1.900 x 1.660</b>	<b>2.75</b>	<b>2.75</b>	<b>1.6</b>
40 x 40 x 25	48.3 x 48.3 x 42.4	85.9	85.9	0.73
<b>2 x 2 x 1</b>	<b>2.375 x 2.375 x 1.315</b>	<b>3.25</b>	<b>3.25</b>	<b>2.2</b>
50 x 50 x 25	60.3 x 60.3 x 33.4	82.6	69.9	1.00
<b>2 x 2 x 1-1/4</b>	<b>2.375 x 2.375 x 1.660</b>	<b>3.25</b>	<b>3.25</b>	<b>2.4</b>
50 x 50 x 32	60.3 x 60.3 x 42.4	82.6	82.6	1.09
<b>2 x 2 x 1-1/2</b>	<b>2.375 x 2.375 x 1.900</b>	<b>2.75</b>	<b>2.75</b>	<b>2.4</b>
50 x 50 x 40	60.3 x 60.3 x 48.3	69.9	69.9	1.09
<b>2-1/2 x 2-1/2 x 1</b>	<b>2.375 x 2.375 x 1.315</b>	<b>3.75</b>	<b>3.75</b>	<b>3.1</b>
50 x 50 x 40	60.3 x 60.3 x 33.4	95.3	95.3	1.41
<b>2-1/2 x 2-1/2 x 1-1/2</b>	<b>2.375 x 2.375 x 1.900</b>	<b>3.75</b>	<b>3.75</b>	<b>3.4</b>
50 x 50 x 40	60.3 x 60.3 x 48.3	95.3	95.3	1.54
<b>2-1/2 x 2-1/2 x 2</b>	<b>2.375 x 2.375 x 2.375</b>	<b>3.07</b>	<b>3.07</b>	<b>3.6</b>
50 x 50 x 40	60.3 x 60.3 x 60.3	78.0	78.0	1.63
<b>3 x 3 x 1</b>	<b>3.500 x 3.500 x 1.315</b>	<b>4.25</b>	<b>4.25</b>	<b>4.3</b>
80 x 80 x 25	88.9 x 88.9 x 33.4	108.0	108.0	1.95
<b>3 x 3 x 1-1/4</b>	<b>3.500 x 3.500 x 1.660</b>	<b>4.25</b>	<b>4.25</b>	<b>4.3</b>
80 x 80 x 32	88.9 x 88.9 x 42.2	108.0	108.0	1.95
<b>3 x 3 x 1-1/2</b>	<b>3.500 x 3.500 x 1.900</b>	<b>4.25</b>	<b>4.25</b>	<b>4.4</b>
80 x 80 x 40	88.9 x 88.9 x 48.3	108.0	108.0	2.00
<b>3 x 3 x 2</b>	<b>3.500 x 3.500 x 2.375</b>	<b>3.77</b>	<b>3.23</b>	<b>4.4</b>
80 x 80 x 50	88.9 x 88.9 x 60.3	95.8	82.0	2.00
<b>3 x 3 x 2-1/2</b>	<b>3.500 x 3.500 x 2.875</b>	<b>3.77</b>	<b>3.23</b>	<b>4.4</b>
80 x 80 x 65	88.9 x 88.9 x 73.0	95.8	82.0	2.00
<b>4 x 4 x 2</b>	<b>4.500 x 4.500 x 2.375</b>	<b>4.47</b>	<b>3.82</b>	<b>4.4</b>
100 x 100 x 50	114.3 x 114.3 x 60.3	113.5	97.0	2.00
<b>4 x 4 x 2-1/2</b>	<b>4.500 x 4.500 x 2.875</b>	<b>4.47</b>	<b>3.82</b>	<b>4.4</b>
100 x 100 x 65	114.3 x 114.3 x 73.0	113.5	113.5	2.00
<b>4 x 4 x 3</b>	<b>4.500 x 4.500 x 3.500</b>	<b>4.47</b>	<b>3.88</b>	<b>4.9</b>
100 x 100 x 80	114.3 x 114.3 x 88.9	114.5	69.9	2.22



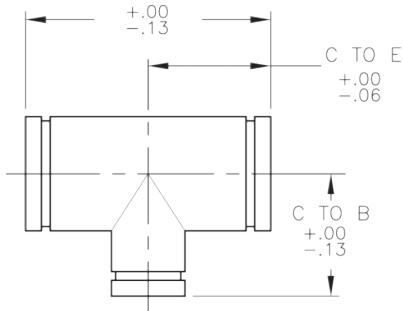
Certified to  
NSF/ANSI 61-G



**MAXIMUM WORKING PRESSURE** – See specific data sheet for rating of coupling in use.

# STAINLESS STEEL SYSTEMS

## Reducing Tees



part #46RT

Sch. 10 Stainless Steel

Pipe Size		C to E Inches mm	C to B Inches mm	Approx. Weight Lbs. kg
Nominal Inches mm	O.D. Inches mm			
<b>6 x 6 x 1-1/2</b>	<b>6.625 x 6.625 x 1.900</b>	<b>5.91</b>	<b>5.91</b>	<b>9.3</b>
150 x 150 x 40	168.3 x 168.3 x 48.3	150.1	150.1	4.22
<b>6 x 6 x 2</b>	<b>6.625 x 6.625 x 2.375</b>	<b>5.91</b>	<b>5.91</b>	<b>9.3</b>
150 x 150 x 50	168.3 x 168.3 x 88.9	150.1	150.1	4.22
<b>6 x 6 x 3</b>	<b>6.625 x 6.625 x 3.500</b>	<b>5.91</b>	<b>4.88</b>	<b>9.3</b>
150 x 150 x 80	168.3 x 168.3 x 60.3	150.1	124.0	4.22
<b>6 x 6 x 4</b>	<b>6.625 x 6.625 x 4.500</b>	<b>5.91</b>	<b>5.12</b>	<b>9.3</b>
150 x 150 x 100	168.3 x 168.3 x 114.3	150.1	130.0	4.22
<b>8 x 8 x 4</b>	<b>8.625 x 8.625 x 4.500</b>	<b>7.79</b>	<b>6.31</b>	<b>18.1</b>
200 x 200 x 100	219.1 x 219.1 x 114.1	197.9	160.3	8.21
<b>8 x 8 x 6</b>	<b>8.625 x 8.625 x 6.625</b>	<b>7.79</b>	<b>6.62</b>	<b>18.1</b>
200 x 200 x 150	219.1 x 219.1 x 168.3	197.9	168.1	8.21
<b>10 x 10 x 6</b>	<b>10.750 x 10.750 x 6.625</b>	<b>8.89</b>	<b>7.70</b>	<b>29.3</b>
250 x 250 x 200	273.0 x 273.0 x 168.3	225.8	195.6	13.29
<b>10 x 10 x 8</b>	<b>10.750 x 10.750 x 8.625</b>	<b>8.89</b>	<b>8.59</b>	<b>31.7</b>
250 x 250 x 200	273.0 x 273.0 x 219.1	225.8	218.2	14.38
<b>12 x 12 x 8</b>	<b>12.750 x 12.750 x 8.625</b>	<b>10.39</b>	<b>9.51</b>	<b>44</b>
300 x 300 x 200	323.9 x 323.9 x 219.1	263.9	242.0	19.96
<b>12 x 12 x 10</b>	<b>12.750 x 12.750 x 10.750</b>	<b>10.39</b>	<b>9.89</b>	<b>44</b>
300 x 300 x 250	323.9 x 323.9 x 273.0	263.9	251.2	19.96
<b>14 x 12</b>	<b>14 x 12</b>	<b>11</b>	<b>11</b>	<b>54</b>
355 x 300	355 x 323	279	279	24
<b>16 x 14</b>	<b>16 x 14</b>	<b>12</b>	<b>12</b>	<b>65</b>
406 x 355	406 x 355	300	300	29
<b>18 x 16</b>	<b>18 x 16</b>	<b>14</b>	<b>14</b>	<b>83</b>
457 x 406	457 x 406	355	355	37
<b>20 x 18</b>	<b>20 x 18</b>	<b>15</b>	<b>15</b>	<b>118</b>
508 x 457	508 x 457	381	381	53
<b>24 x 20</b>	<b>24 x 20</b>	<b>22</b>	<b>22</b>	<b>179</b>
609 x 508	609 x 508	558	558	81



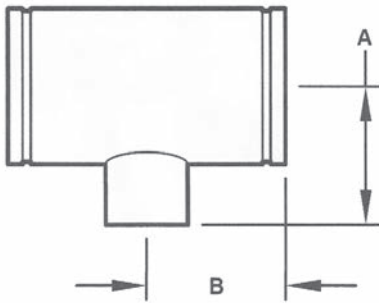
Certified to  
NSF/ANSI 61-G



**MAXIMUM WORKING PRESSURE** – See specific data sheet for rating of coupling in use.

# STAINLESS STEEL SYSTEMS

## Grooved by Press Reducing Tees



part #46RT

Sch. 10 Stainless Steel

Groove by Press Tees

This is an excellent transition for joining grooved and press fittings together. While the runs are roll grooved, the branch is a plain end finish allowing for a press fitting to be attached using the appropriate press tool.

Other sizes available upon request. Other branch configurations are available as well. Male thread or female thread are just a few options available.

Pipe Size		C to A Inches mm	C to B Inches mm	Approx. Weight Lbs. kg
Nominal Inches mm	O.D. Inches mm			
<b>2-1/2 x 2-1/2 x 1-1/2</b>	<b>2.875 x 1.900 x 2.875</b>	<b>3.75</b>	<b>4.10</b>	<b>3.40</b>
65 x 40 x 65	73.0 x 48.3 x 73.0	95.3	104.1	1.54
<b>2-1/2 x 2-1/2 x 2</b>	<b>2.875 x 2.375 x 2.875</b>	<b>3.75</b>	<b>4.60</b>	<b>3.60</b>
65 x 50 x 65	73.0 x 60.3 x 73.0	95.3	116.6	1.63
<b>3 x 3 x 1</b>	<b>3.500 x 1.315 x 3.500</b>	<b>4.25</b>	<b>4.20</b>	<b>4.30</b>
80 x 25 x 80	88.9 x 33.4 x 88.9	108.0	106.7	1.95
<b>3 x 3 x 1-1/2</b>	<b>3.500 x 1.900 x 3.500</b>	<b>4.25</b>	<b>4.50</b>	<b>4.40</b>
80 x 40 x 80	88.9 x 48.3 x 88.9	108.0	111.9	2.00
<b>3 x 3 x 2</b>	<b>3.500 x 3.500 x 2.375</b>	<b>4.25</b>	<b>5.00</b>	<b>4.40</b>
80 x 50 x 80	88.9 x 88.9 x 60.3	108.0	125.0	2.00
<b>4 x 4 x 1</b>	<b>4.500 x 4.500 x 1.315</b>	<b>4.47</b>	<b>5.50</b>	<b>4.50</b>
100 x 25 x 100	114.3 x 114.3 x 33.4	113.5	139.7	2.02
<b>4 x 4 x 2</b>	<b>4.500 x 2.375 x 4.500</b>	<b>4.47</b>	<b>5.50</b>	<b>4.50</b>
100 x 50 x 100	114.3 x 60.3 x 114.3	113.5	139.7	2.02
<b>6 x 6 x 1</b>	<b>6.625 x 6.625 x 1.315</b>	<b>5.91</b>	<b>6.00</b>	<b>9.20</b>
150 x 25 x 150	168.3 x 163.3 x 33.4	150.1	152.4	4.22
<b>6 x 6 x 1-1/2</b>	<b>6.625 x 1.900 x 6.625</b>	<b>5.91</b>	<b>6.00</b>	<b>9.20</b>
150 x 40 x 150	168.3 x 48.3 x 168.3	150.1	152.4	4.22
<b>6 x 6 x 2</b>	<b>6.625 x 2.375 x 6.625</b>	<b>5.91</b>	<b>6.50</b>	<b>9.40</b>
150 x 50 x 150	168.3 x 60.3 x 168.3	150.1	165.0	4.26



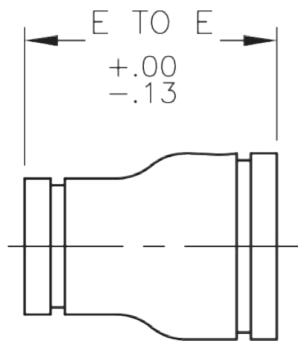
**MAXIMUM WORKING PRESSURE** – See specific data sheet for rating of coupling in use.

GroovJoint reserves the right to change the contents without notice.



# STAINLESS STEEL SYSTEMS

## Concentric Reducers



part #46C

Sch. 10 Stainless Steel

Pipe Size		E to E Inches mm	Approx. Weight Lbs. kg
Nominal Inches mm	O.D. Inches mm		
<b>1-1/2 x 1</b>	<b>1.900 x 1.315</b>	<b>3.75</b>	<b>1.4</b>
40 x 25	48.3 x 33.7	95.3	0.64
<b>1-1/2 x 1-1/4</b>	<b>1.900 x 1.660</b>	<b>3.75</b>	<b>1.4</b>
40 x 32	48.3 x 42.4	95.3	0.64
<b>2 x 1</b>	<b>2.375 x 1.315</b>	<b>3.75</b>	<b>1.5</b>
50 x 25	60.3 x 33.7	95.3	0.68
<b>2 x 1-1/4</b>	<b>2.375 x 1.660</b>	<b>3.75</b>	<b>2.5</b>
50 x 32	60.3 x 42.4	95.3	1.13
<b>2 x 1-1/2</b>	<b>2.375 x 1.900</b>	<b>5.00</b>	<b>2.5</b>
50 x 40	60.3 x 48.3	127.0	1.13
<b>2-1/2 x 1-1/2</b>	<b>2.875 x 1.900</b>	<b>5.00</b>	<b>3.5</b>
65 x 40	73.3 x 48.3	127.0	1.59
<b>2-1/2 x 2</b>	<b>2.875 x 2.375</b>	<b>5.00</b>	<b>3.5</b>
65 x 50	73.0 x 60.3	127.0	1.59
<b>3 x 1</b>	<b>3.500 x 1.315</b>	<b>5.00</b>	<b>4.0</b>
80 x 25	88.9 x 33.7	127.0	1.81
<b>3 x 1-1/4</b>	<b>3.500 x 1.660</b>	<b>5.00</b>	<b>4.3</b>
80 x 32	88.9 x 42.4	127.0	1.95
<b>3 x 1-1/2</b>	<b>3.500 x 1.900</b>	<b>5.00</b>	<b>4.4</b>
80 x 40	88.9 x 48.3	127.0	2.00
<b>3 x 2</b>	<b>3.500 x 2.375</b>	<b>5.00</b>	<b>4.8</b>
80 x 50	88.9 x 60.3	127.0	2.17
<b>3 x 2-1/2</b>	<b>3.500 x 2.875</b>	<b>5.00</b>	<b>4.8</b>
80 x 65	88.9 x 73.0	127.0	2.17
<b>4 x 2</b>	<b>4.500 x 2.375</b>	<b>5.00</b>	<b>4.8</b>
100 x 50	114.3 x 60.3	127.0	2.17
<b>4 x 2-1/2</b>	<b>4.500 x 2.875</b>	<b>5.00</b>	<b>4.8</b>
100 x 65	114.3 x 73.0	127.0	2.17
<b>4 x 3</b>	<b>4.500 x 3.500</b>	<b>5.00</b>	<b>5.0</b>
100 x 80	114.3 x 88.9	127.0	2.27
<b>5 x 3</b>	<b>5.563 x 3.500</b>	<b>9.00</b>	<b>7.0</b>
125 x 80	141.3 x 88.9	228.6	3.18
<b>5 x 4</b>	<b>5.563 x 4.500</b>	<b>9.00</b>	<b>7.0</b>
125 x 100	141.3 x 114.3	228.6	3.18



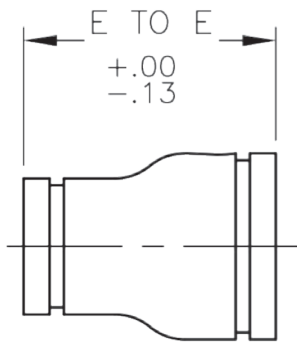
Certified to  
NSF/ANSI 61-G



**MAXIMUM WORKING PRESSURE** – See specific data sheet for rating of coupling in use.

# STAINLESS STEEL SYSTEMS

## Concentric Reducers



part #46C

Sch. 10 Stainless Steel

Pipe Size		E to E Inches mm	Approx. Weight Lbs. kg
Nominal Inches mm	O.D. Inches mm		
<b>6 x 2</b>	<b>6.625 x 2.375</b>	<b>5.50</b>	<b>7.0</b>
150 x 50	168.3 x 60.3	228.6	3.18
<b>6 x 2-1/2</b>	<b>6.625 x 2.875</b>	<b>5.50</b>	<b>7.0</b>
150 x 65	168.3 x 73.0	381.0	3.18
<b>6 x 3</b>	<b>6.625 x 3.500</b>	<b>5.50</b>	<b>6.9</b>
150 x 100	168.3 x 88.9	139.7	3.13
<b>6 x 4</b>	<b>6.625 x 4.500</b>	<b>5.50</b>	<b>7.0</b>
150 x 100	168.3 x 114.3	139.7	3.18
<b>6 x 5</b>	<b>6.625 x 5.500</b>	<b>5.50</b>	<b>7.0</b>
150 x 125	168.3 x 141.3	139.7	3.18
<b>8 x 4</b>	<b>8.625 x 4.500</b>	<b>6.00</b>	<b>9.6</b>
200 x 100	219.1 x 114.3	152.4	4.35
<b>8 x 6</b>	<b>8.625 x 6.626</b>	<b>6.00</b>	<b>9.6</b>
200 x 150	219.1 x 168.3	152.4	4.35
<b>10 x 4</b>	<b>10.750 x 4.500</b>	<b>10.00</b>	<b>12.4</b>
250 x 100	273.0 x 114.3	254.0	5.62
<b>10 x 6</b>	<b>10.750 x 6.625</b>	<b>7.00</b>	<b>12.4</b>
250 x 150	273.0 x 168.3	177.8	5.62
<b>10 x 8</b>	<b>10.750 x 8.625</b>	<b>7.00</b>	<b>14.9</b>
250 x 200	273.0 x 219.1	177.8	6.76
<b>12 x 6</b>	<b>12.750 x 6.625</b>	<b>8.00</b>	<b>22.0</b>
300 x 150	323.9 x 168.3	355.6	9.98
<b>12 x 8</b>	<b>12.750 x 8.625</b>	<b>8.00</b>	<b>22.0</b>
300 x 200	323.9 x 219.1	355.6	9.98
<b>12 x 10</b>	<b>12.750 x 10.750</b>	<b>8.00</b>	<b>26.0</b>
300 x 250	323.9 x 273.0	355.6	11.79
<b>14 x 12</b>	<b>14 x 12</b>	<b>17.00</b>	<b>39.0</b>
355 x 300	355 x 323	431	17
<b>16 x 14</b>	<b>16 x 14</b>	<b>18.00</b>	<b>47.0</b>
406 x 355	406 x 355	457	21
<b>18 x 16</b>	<b>18 x 16</b>	<b>19.00</b>	<b>83.0</b>
457 x 406	457 x 406	482	37
<b>20 x 18</b>	<b>20 x 18</b>	<b>24.00</b>	<b>121.0</b>
508 x 457	508 x 457	609	54
<b>24 x 20</b>	<b>24 x 20</b>	<b>24.00</b>	<b>156.0</b>
609 x 508	609 x 508	609	70



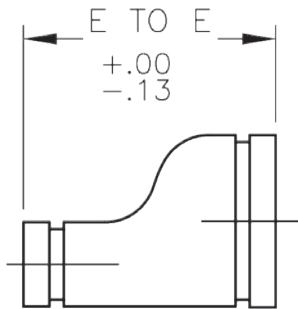
Certified to  
NSF/ANSI 61-G



**MAXIMUM WORKING PRESSURE** – See specific data sheet for rating of coupling in use.

# STAINLESS STEEL SYSTEMS

## Eccentric Reducers



part #46E

Sch. 10 Stainless Steel

Pipe Size		E to E Inches mm	Approx. Weight Lbs. kg
Nominal Inches mm	O.D. Inches mm		
<b>1-1/2 x 1</b>	<b>1.900 x 1.315</b>	<b>3.75</b>	<b>1.4</b>
40 x 25	48.3 x 33.7	95.3	0.64
<b>1-1/2 x 1-1/4</b>	<b>1.900 x 1.660</b>	<b>3.75</b>	<b>1.4</b>
40 x 32	48.3 x 42.4	95.3	0.64
<b>2 x 1</b>	<b>2.375 x 1.315</b>	<b>3.75</b>	<b>1.5</b>
50 x 25	60.3 x 33.7	95.3	0.68
<b>2 x 1-1/4</b>	<b>2.375 x 1.660</b>	<b>3.75</b>	<b>2.5</b>
50 x 32	60.3 x 42.4	95.3	1.13
<b>2 x 1-1/2</b>	<b>2.375 x 1.900</b>	<b>5.00</b>	<b>2.5</b>
50 x 40	60.3 x 48.3	127.0	1.13
<b>2-1/2 x 2</b>	<b>2.875 x 2.375</b>	<b>5.00</b>	<b>3.5</b>
65 x 50	73.0 x 60.3	127.0	1.59
<b>3 x 1</b>	<b>3.500 x 1.315</b>	<b>5.00</b>	<b>4.3</b>
80 x 25	88.9 x 33.7	127.0	1.95
<b>3 x 2</b>	<b>3.500 x 2.375</b>	<b>5.00</b>	<b>4.3</b>
80 x 50	88.9 x 60.3	127.0	1.95
<b>3 x 2-1/2</b>	<b>3.500 x 2.875</b>	<b>5.00</b>	<b>4.5</b>
80 x 65	88.9 x 73.0	127.0	1.95
<b>4 x 2</b>	<b>4.500 x 2.375</b>	<b>5.00</b>	<b>4.8</b>
100 x 50	114.3 x 60.3	127.0	2.18
<b>4 x 2-1/2</b>	<b>4.500 x 2.875</b>	<b>5.00</b>	<b>5.8</b>
100 x 65	114.3 x 73.0	127.0	2.63
<b>4 x 3</b>	<b>4.500 x 3.500</b>	<b>5.00</b>	<b>5.9</b>
100 x 80	114.3 x 88.9	127.0	2.68
<b>5 x 3</b>	<b>5.563 x 3.500</b>	<b>9.00</b>	<b>5.9</b>
125 x 80	141.3 x 88.9	228.6	2.68
<b>5 x 4</b>	<b>5.563 x 4.500</b>	<b>9.00</b>	<b>7.0</b>
125 x 100	141.3 x 114.3	228.6	3.18



Certified to  
NSF/ANSI 61-G

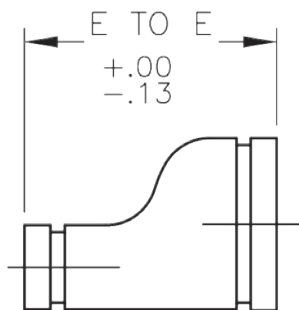


**MAXIMUM WORKING PRESSURE** – See specific data sheet for rating of coupling in use.



# STAINLESS STEEL SYSTEMS

## Eccentric Reducers



part #46E

Sch. 10 Stainless Steel

Pipe Size		E to E Inches mm	Approx. Weight Lbs. kg
Nominal Inches mm	O.D. Inches mm		
<b>6 x 2</b>	<b>6.625 x 2.375</b>	<b>9.00</b>	<b>7.0</b>
150 x 50	168.3 x 60.3	228.6	3.18
<b>6 x 2-1/2</b>	<b>6.625 x 2.875</b>	<b>9.00</b>	<b>7.0</b>
150 x 65	168.3 x 73.0	228.6	3.18
<b>6 x 3</b>	<b>6.625 x 3.500</b>	<b>9.00</b>	<b>7.0</b>
150 x 100	168.3 x 88.9	228.6	3.18
<b>6 x 4</b>	<b>6.625 x 4.500</b>	<b>9.00</b>	<b>7.0</b>
150 x 100	168.3 x 114.3	127.7	3.18
<b>8 x 3</b>	<b>8.625 x 3.500</b>	<b>10.00</b>	<b>9.3</b>
200 x 80	219.1 x 88.9	254.0	4.22
<b>8 x 4</b>	<b>8.625 x 4.500</b>	<b>12.00</b>	<b>9.3</b>
200 x 100	219.1 x 114.3	304.8	4.22
<b>8 x 6</b>	<b>8.625 x 6.625</b>	<b>8.00</b>	<b>7.0</b>
200 x 150	219.1 x 168.3	203.2	3.18
<b>10 x 6</b>	<b>10.750 x 6.625</b>	<b>13.00</b>	<b>12.4</b>
250 x 150	273.0 x 168.3	330.2	5.62
<b>10 x 8</b>	<b>10.750 x 8.625</b>	<b>13.00</b>	<b>11.5</b>
250 x 200	273.0 x 219.1	330.2	5.22
<b>12 x 6</b>	<b>12.750 x 6.625</b>	<b>14.00</b>	<b>21.1</b>
300 x 150	323.9 x 168.3	355.6	9.57
<b>12 x 8</b>	<b>12.750 x 8.625</b>	<b>14.00</b>	<b>21.1</b>
300 x 200	323.9 x 219.1	355.6	9.57
<b>12 x 10</b>	<b>12.750 x 10.750</b>	<b>14.00</b>	<b>21.1</b>
300 250	323.9 x 273.0	355.6	9.57



Certified to  
NSF/ANSI 61-G



**MAXIMUM WORKING PRESSURE** – See specific data sheet for rating of coupling in use.

# STAINLESS STEEL SYSTEMS

## 1 1/4° ELBOWS

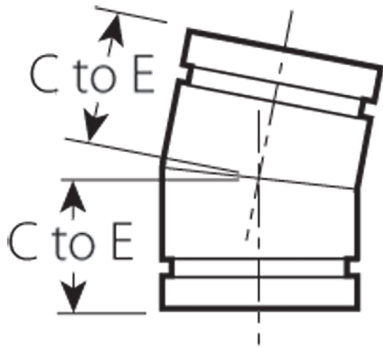


figure 461  
Sch. 10 Stainless Steel

Pipe Size		Figure 462 – Fabricated	
Nominal Inches mm	O.D. Inches mm	C to E Inches mm	Approx. Weight Lbs. kg
<b>1-1/2</b>	<b>1.90</b>	<b>1.38</b>	<b>.6</b>
40	48.3	35.1	.27
<b>2</b>	<b>2.38</b>	<b>1.38</b>	<b>.7</b>
50	60.3	35.1	.32
<b>2-1/2</b>	<b>2.88</b>	<b>1.50</b>	<b>.7</b>
65	73.0	38.1	.32
<b>3</b>	<b>3.50</b>	<b>1.50</b>	<b>1.2</b>
80	88.9	38.1	.54
<b>4</b>	<b>4.50</b>	<b>1.75</b>	<b>1.8</b>
100	114.3	44.5	.82
<b>5</b>	<b>5.56</b>	<b>2.00</b>	<b>2.1</b>
125	141.3	50.8	.95
<b>6</b>	<b>6.63</b>	<b>2.00</b>	<b>3.4</b>
150	168.3	50.8	1.54
<b>8</b>	<b>8.63</b>	<b>2.00</b>	<b>4.6</b>
200	219.1	50.8	2.1
<b>10</b>	<b>10.75</b>	<b>2.13</b>	<b>9.1</b>
250	273.0	54.1	4.1
<b>12</b>	<b>12.75</b>	<b>2.25</b>	<b>16.7</b>
300	323.9	57.2	7.6
<b>14</b>	<b>14.00</b>	<b>3.50</b>	<b>32.1</b>
350	355.6	88.9	14.6
<b>16</b>	<b>16.00</b>	<b>4.00</b>	<b>42.0</b>
400	406.4	101.6	19.1
<b>18</b>	<b>18.00</b>	<b>4.50</b>	<b>53.2</b>
450	457.2	114.3	24.2
<b>20</b>	<b>20.00</b>	<b>5.00</b>	<b>65.7</b>
500	508.0	127.0	29.8
<b>24</b>	<b>24.00</b>	<b>6.00</b>	<b>96.0</b>
600	609.6	152.4	43.5

**MAXIMUM WORKING PRESSURE** – See specific data sheet for rating of coupling in use.

# STAINLESS STEEL SYSTEMS

## 22½° ELBOWS

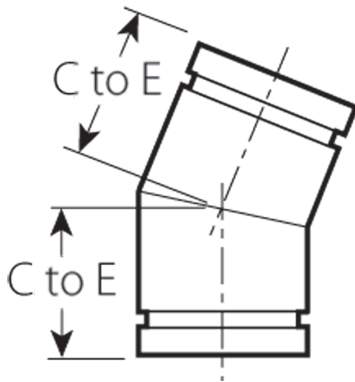


figure 462  
Sch. 10 Stainless Steel

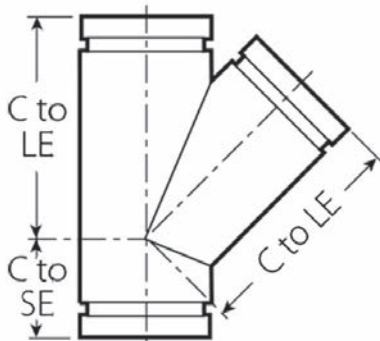
Pipe Size		Figure 462 – Fabricated	
Nominal Inches mm	O.D. Inches mm	C to E Inches mm	Approx. Weight Lbs. kg
<b>1-1/2</b>	<b>1.90</b>	<b>1.75</b>	<b>.6</b>
40	48.3	44.5	.27
<b>2</b>	<b>2.38</b>	<b>1.88</b>	<b>1.0</b>
50	60.3	47.8	.45
<b>2-1/2</b>	<b>2.88</b>	<b>2.00</b>	<b>1.4</b>
65	73.0	50.8	.64
<b>3</b>	<b>3.50</b>	<b>2.25</b>	<b>1.7</b>
80	88.9	57.2	.77
<b>4</b>	<b>4.50</b>	<b>2.63</b>	<b>2.8</b>
100	114.3	66.8	1.27
<b>5</b>	<b>5.56</b>	<b>2.88</b>	<b>4.2</b>
125	141.3	73.2	1.91
<b>6</b>	<b>6.63</b>	<b>3.13</b>	<b>5.8</b>
150	168.3	79.5	2.63
<b>8</b>	<b>8.63</b>	<b>3.88</b>	<b>9.2</b>
200	219.1	98.6	4.17
<b>10</b>	<b>10.75</b>	<b>4.38</b>	<b>14.0</b>
250	273.0	111.3	6.4
<b>12</b>	<b>12.75</b>	<b>4.88</b>	<b>22.0</b>
300	323.9	124.0	10.0
<b>14</b>	<b>14.00</b>	<b>5.00</b>	<b>46.0</b>
350	355.6	127.0	20.9
<b>16</b>	<b>16.00</b>	<b>5.00</b>	<b>52.2</b>
400	406.4	127.0	23.7
<b>18</b>	<b>18.00</b>	<b>5.50</b>	<b>65.0</b>
450	457.2	139.7	29.5
<b>20</b>	<b>20.00</b>	<b>6.00</b>	<b>80.0</b>
500	508.0	152.4	36.3
<b>24</b>	<b>24.00</b>	<b>7.00</b>	<b>112.0</b>
600	609.6	177.8	50.8

**MAXIMUM WORKING PRESSURE** – See specific data sheet for rating of coupling in use.



# STAINLESS STEEL SYSTEMS

## 45° Laterals



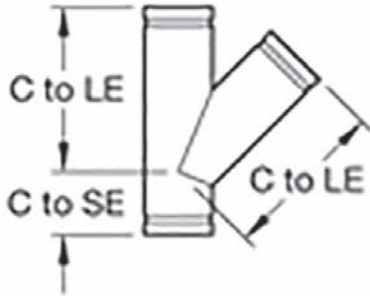
part #46LAT

Sch. 10 Stainless Steel

Pipe Size		45° Lateral		
Nominal Size Inches DN	O.D. Inches mm	C to LE Inches mm	C to SE Inches mm	Approx. Weight Ea Lbs. kg
<b>1</b>	<b>1.315</b>	<b>5.00</b>	<b>2.25</b>	<b>1.4</b>
25	33.7	127	57	0.6
<b>1-1/4</b>	<b>1.660</b>	<b>5.75</b>	<b>2.50</b>	<b>1.9</b>
32	42.4	146	64	0.9
<b>1-1/2</b>	<b>1.900</b>	<b>6.25</b>	<b>2.75</b>	<b>2.6</b>
40	48.3	159	70	1.2
<b>2</b>	<b>2.375</b>	<b>7.00</b>	<b>2.75</b>	<b>3.3</b>
50	60.3	178	70	1.5
<b>2-1/2</b>	<b>2.875</b>	<b>7.75</b>	<b>3.00</b>	<b>5.3</b>
65	73.0	197	76	2.4
<b>3</b>	<b>3.500</b>	<b>8.50</b>	<b>3.25</b>	<b>6.5</b>
80	88.9	216	836	2.9
<b>4</b>	<b>4.500</b>	<b>10.50</b>	<b>3.75</b>	<b>11.2</b>
100	114.3	267	95	5.1
<b>6</b>	<b>6.625</b>	<b>14.00</b>	<b>4.50</b>	<b>20.9</b>
150	168.3	356	114	9.5
<b>8</b>	<b>8.625</b>	<b>18.00</b>	<b>6.00</b>	<b>33.1</b>
200	219.1	457	152	15.0
<b>10</b>	<b>10.750</b>	<b>20.50</b>	<b>6.50</b>	<b>47.5</b>
250	273.0	521	165	21.5
<b>12</b>	<b>12.750</b>	<b>23.00</b>	<b>7.00</b>	<b>79.2</b>
300	323.9	584	178	35.9

# STAINLESS STEEL SYSTEMS

## 45° Reducing Laterals



part #46LAT

### Sch. 10 Stainless Steel

Reducing Laterals can be supplied w/MPT or FPT Branch or with a Plain End for Press Fittings

Other Reductions available upon request

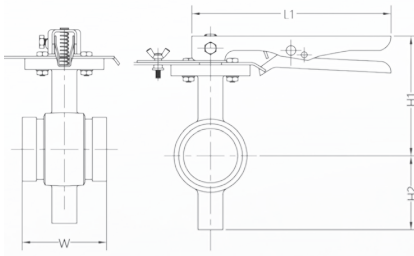
Nominal Pipe Size		C to LE Inches mm	C to SE Inches mm	Weight Lbs. kg
Nominal Inches mm	O.D. Inches mm			
<b>3 x 3 x 2</b>	<b>3.500 x 3.500 x 2.375</b>	<b>8.50</b>	<b>3.25</b>	<b>6.5</b>
80 x 80 x 50	88.9 x 88.9 x 60.3	215.9	82.6	4.1
<b>3 x 3 x 2-1/2</b>	<b>3.500 x 3.500 x 2.874</b>	<b>8.50</b>	<b>3.25</b>	<b>6.5</b>
80 x 80 x 85	88.9 x 88.9 x 73.0	215.9	82.6	4.5
<b>4 x 4 x 2</b>	<b>4.500 x 4.500 x 2.375</b>	<b>10.50</b>	<b>3.75</b>	<b>14.5</b>
100 x 100 x 50	114.3 x 114.3 x 60.3	266.7	95.3	6.6
<b>4 x 4 x 2-1/2</b>	<b>4.500 x 4.500 x 2.874</b>	<b>10.50</b>	<b>3.75</b>	<b>15.7</b>
100 x 100 x 65	114.3 x 114.3 x 73.0	266.7	95.3	7.1
<b>4 x 4 x 3</b>	<b>4.500 x 4.500 x 3.500</b>	<b>10.50</b>	<b>3.75</b>	<b>16.6</b>
100 x 100 x 80	114.3 x 114.3 x 88.9	266.7	95.3	7.5
<b>6 x 6 x 3</b>	<b>6.625 x 6.625 x 3.500</b>	<b>14.00</b>	<b>4.50</b>	<b>33.6</b>
150 x 150 x 80	168.3 x 168.3 x 88.9	355.6	114.3	15.2
<b>6 x 6 x 4</b>	<b>6.625 x 6.625 x 4.500</b>	<b>14.00</b>	<b>4.50</b>	<b>35.7</b>
150 x 150 x 100	168.3 x 168.3 x 114.3	355.6	114.3	16.2
<b>8 x 8 x 6</b>	<b>8.625 x 8.625 x 6.625</b>	<b>18.00</b>	<b>6.00</b>	<b>72.0</b>
200 x 200 x 150	219.1 x 219.1 x 168.3	457.2	152.4	32.6
<b>10 x 10 x 6</b>	<b>10.750 x 10.750 x 6.625</b>	<b>20.50</b>	<b>6.50</b>	<b>106.2</b>
250 x 250 x 150	273.0 x 273.0 x 168.3	520.7	165.1	48.2
<b>10 x 10 x 8</b>	<b>10.750 x 10.750 x 8.625</b>	<b>20.50</b>	<b>6.50</b>	<b>114.7</b>
250 x 250 x 200	273.0 x 273.0 x 219.1	520.7	165.1	52.0
<b>12 x 12 x 6</b>	<b>12.750 x 12.750 x 6.625</b>	<b>23.00</b>	<b>7.00</b>	<b>140.0</b>
300 x 300 x 150	323.9 x 323.9 x 168.3	584.2	177.8	63.5

# STAINLESS STEEL SYSTEMS

## 316 Stainless Steel Butterfly Valve



Size	L1		W		H1		H2	
	in	mm	in	mm	in	mm	in	mm
2	9.00	228.6	3.2	81.0	4.8	121	2.5	65
2-1/2	9.00	228.6	3.8	96.3	5.4	136.9	3.3	84.8
3	9.00	228.6	3.8	96.3	5.7	143.8	3.5	91.9
4	9.00	228.6	4.5	115.3	7.0	176.8	4.2	107.9
5	11.30	287.0	5.2	132.3	8.0	203.2	5.0	127.0
6	11.30	287.0	5.2	132.3	8.2	210.8	5.7	144.8
8	11.30	287.0	5.8	147.3	9.3	235.97	6.7	169.93



### Model 9200 with resilient seated disc

The GroovJoint Model 9200 stainless steel, grooved-end (ANSI/AWWA C-606) butterfly valve provides bubble-tight shut-off at full-rated working pressure. The 9200 is rated to 300 psi and bi-directional. It is available in sizes 2"-8".

The valve features a 10-position epoxy-coated lever handle with 10-position and infinitely-variable settings with memory-stop, making it suitable for both throttling and system balancing. The extended neck allows for up to 2 inches of insulation, and the ISO mounting pad allows easy installation of an optional gear-operator or pneumatic/electric actuators.

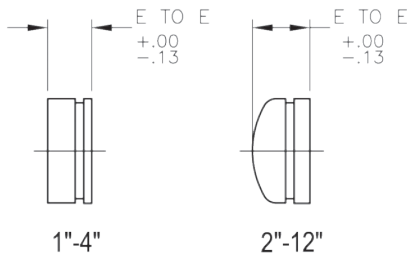
The 9200 butterfly valve is available with either an EPDM or NBR Encapsulated Disc. The max temperature is 230°F and rated for both indoor and outdoor applications.

A manufacturer's 2-year limited warranty applies.



# STAINLESS STEEL SYSTEMS

## End Caps



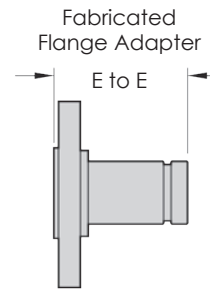
part #46CAP

\*Dished cap

### Sch. 10 Stainless Steel

Pipe Size		Nominal E to E Inches mm	Approx. Weight Lbs. kg
Nominal Inches mm	O.D. Inches mm		
<b>1</b>	<b>1.315</b>	<b>1.083</b>	<b>.2</b>
25	33.4	27.5	0.09
<b>1-1/4</b>	<b>1.660</b>	<b>1.083</b>	<b>.4</b>
32	42.4	27.5	0.09
<b>1-1/2</b>	<b>1.900</b>	<b>1.083</b>	<b>.5</b>
40	48.3	27.5	0.09
<b>2</b>	<b>2.375</b>	<b>1.083</b>	<b>.7</b>
50	60.3	27.5	0.09
<b>2-1/2</b>	<b>2.875</b>	<b>1.083</b>	<b>1.0</b>
65	73.0	27.5	0.45
<b>3</b>	<b>3.500</b>	<b>1.083</b>	<b>2.0</b>
80	88.9	27.5	0.91
<b>4</b>	<b>4.500</b>	<b>1.25</b>	<b>3.1</b>
100	114.3	28.7	1.41
<b>5</b>	<b>5.563</b>	<b>3.00*</b>	<b>1.5</b>
125	141.3	76.2	0.68
<b>6</b>	<b>6.625</b>	<b>3.50*</b>	<b>1.5</b>
150	168.3	88.9	0.68
<b>8</b>	<b>8.625</b>	<b>4.00*</b>	<b>3.1</b>
200	219.1	101.6	1.41
<b>10</b>	<b>10.750</b>	<b>5.00*</b>	<b>6.0</b>
250	273.0	127.0	2.72
<b>12</b>	<b>12.750</b>	<b>6.00*</b>	<b>7.8</b>
300	323.9	152.4	3.54

## Flange Adaptors



Flange adaptors are available in both ANSI dimensions as well as PN10 and PN16

part #46F

### Sch. 10 Stainless Steel

Pipe Size		E to E Inches mm	Mating Flange Bolt Qty.	Approx. Weight Lbs. kg
Nominal Inches mm	O.D. Inches mm			
<b>1</b>	<b>1.315</b>	<b>3.00</b>	<b>4</b>	<b>2.5</b>
25	33.4	76.2		1.1
<b>1-1/4</b>	<b>1.660</b>	<b>4.00</b>	<b>4</b>	<b>3.8</b>
32	42.4	101.6		1.7
<b>1-1/2</b>	<b>1.900</b>	<b>4.00</b>	<b>4</b>	<b>4.1</b>
40	48.3	101.6		1.9
<b>2</b>	<b>2.375</b>	<b>4.00</b>	<b>4</b>	<b>6.0</b>
50	60.3	101.6		2.7
<b>2-1/2</b>	<b>2.875</b>	<b>4.00</b>	<b>4</b>	<b>9.2</b>
65	73.0	101.6		4.2
<b>3</b>	<b>3.500</b>	<b>4.00</b>	<b>4</b>	<b>10.4</b>
80	88.9	101.6		4.7
<b>4</b>	<b>4.500</b>	<b>6.00</b>	<b>8</b>	<b>19.1</b>
100	114.3	152.2		8.7
<b>5</b>	<b>5.563</b>	<b>6.00</b>	<b>8</b>	<b>23.0</b>
125	141.3	152.2		10.4
<b>6</b>	<b>6.625</b>	<b>6.00</b>	<b>8</b>	<b>29.5</b>
150	168.3	152.2		13.4
<b>8</b>	<b>8.625</b>	<b>6.00</b>	<b>8</b>	<b>43.5</b>
200	219.1	152.2		19.7
<b>10</b>	<b>10.750</b>	<b>8.00</b>	<b>12</b>	<b>68.2</b>
250	273.0	203.2		30.9
<b>12</b>	<b>12.750</b>	<b>8.00</b>	<b>12</b>	<b>96.1</b>
300	323.9	203.2		43.6

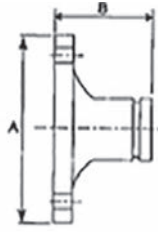


**MAXIMUM WORKING PRESSURE** – See specific data sheet for rating of coupling in use.

GroovJoint reserves the right to change the contents without notice.

# STAINLESS STEEL SYSTEMS

## 316 Stainless Steel Cast Flange Adaptors



part #46FC

Sch. 10 Stainless Steel

Pipe Size		Flange Dimension		Max. Working Pressure PSI	Bolt Dia.	No. of Bolt Holes (Elongation)
Nominal Inches mm	O.D. Inches mm	A Inches mm	B Inches mm			
<b>2</b>	<b>2.375</b>	<b>6.30</b>	<b>2.375</b>	300	5/8	4
50	60.3	160	60.3			
<b>2-1/2</b>	<b>3.000</b>	<b>7.125</b>	<b>2.375</b>	300	5/8	4
65	76.2	181	60.3			
<b>2-1/2</b>	<b>2.875</b>	<b>7.125</b>	<b>2.375</b>	300	5/8	4
65A	73	181	60.3			
<b>3</b>	<b>3.500</b>	<b>7.625</b>	<b>2.375</b>	300	5/8	8
80	88.9	194	60.3			
<b>4</b>	<b>4.500</b>	<b>8.625</b>	<b>2.375</b>	300	5/8	8
100	114.3	219	60.3			
<b>5</b>	<b>5.563</b>	<b>9.840</b>	<b>2.563</b>	300	3/4	8
125	141.3	250	65.1			
<b>6</b>	<b>6.500</b>	<b>11.10</b>	<b>2.563</b>	300	3/4	8
150	165.1	282	65.1			
<b>6</b>	<b>6.625</b>	<b>11.10</b>	<b>2.563</b>	300	3/4	8
150A	168.3	282	65.1			
<b>8</b>	<b>8.625</b>	<b>13.30</b>	<b>3.000</b>	300	3/4	8
200	219.1	338	76.2			

Standard ANSI 150, J1S, 10K, PN16.



Certified to  
NSF/ANSI 61-G

**MAXIMUM WORKING PRESSURE** – See specific data sheet for rating of coupling in use.

*GroovJoint reserves the right to change the contents without notice.*

# STAINLESS STEEL SYSTEMS

## Schedule 40 Stainless Steel Fittings

As part of our product offering, GroovJoint stocks Schedule 40 Stainless Steel Fittings in both 304L and 316L grades.

Sizes range from 1-1/2"-12".

All Sch. 40 fittings are designed to be as close to the Sch. 10 dimensions where possible. All dimensions are available on request.

Most products can be offered in either a roll grooved end or a cut grooved end (depending on the customer's needs).

We also fabricate Sch. 40 fittings.

Some of those fittings include:

- Grooved and Thread Nipples
- Flange Adaptors
- Laterals
- True Wye's
- Crosses
- Transition Fittings
- 22-1/2° Elbows
- 11-1/4° Elbows

Model 15 Flexible Couplings and Model 24 Rigid Couplings may be used with Schedule 40 fittings and pipes.





# STAINLESS STEEL SYSTEMS

## Fabrication

GroovJoint manufactures a variety of stainless steel customer fabrications and specialty fittings designed to the customer's needs.

Specialty products include (but are not limited to):

- Grooved Laterals & Wyes
- Large Diameter Grooved Reducing Tees
- 3D Grooved Elbows
- Grooved Spool Pieces
- Grooved to Press and Grooved to Threaded Fittings
- Duplex and Super Duplex

**Grooved fittings are available in other alloys such as Titanium, AL6XN, and Hastalloy grades.**

Capabilities include:

- CNC 2 and 4 axis turning centers
- CNC horizontal and vertical machining centers
- Pickling /passivating capabilities
- Automatic Pipe Cutoff Machine
- Shotblasters
- MIG and TIG welding equipment
- Vibratory finishers
- Electropolishing



**Header Construction**



**Stainless Steel Mixing Stations awaiting pressure testing**

# Grooved Piping General Specifications

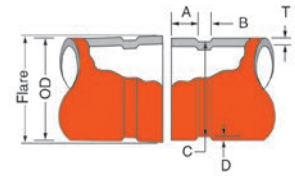




# ROLL GROOVE SPECIFICATIONS

## GROOVJOINT STANDARD ROLL GROOVE SPECIFICATION FOR STEEL & OTHER IPS OR ISO SIZE PIPE

-1- Nominal Pipe Size	-2- O.D.		-3- "A" ±0.030/ ±0.76	-4- "B" ±0.030/ ±0.76	-5- "C" Actual "C" Tol. +0.000		-6- "D" (Ref. Only)	-7- "T" Min. Allow. Wall Thick	-8- Max. Flare Dia.	
	Actual	Tolerance								
	In./ DN(mm)	In./mm	+In./mm	-In./mm	In./mm	In./mm	In./mm	In./mm	In./mm	In./mm
<b>1</b>	<b>1.315</b>	<b>+0.028</b>	<b>-0.015</b>	<b>0.625</b>	<b>0.281</b>	<b>1.190</b>	<b>-0.015</b>	<b>0.063</b>	<b>0.065</b>	<b>1.430</b>
25	33.4	+0.71	-0.38	15.88	7.14	30.23	-0.38	1.60	1.7	36.3
<b>1-1/4</b>	<b>1.660</b>	<b>+0.029</b>	<b>-0.016</b>	<b>0.625</b>	<b>0.281</b>	<b>1.535</b>	<b>-0.015</b>	<b>0.063</b>	<b>0.065</b>	<b>1.770</b>
32	42.2	+0.74	-0.41	15.88	7.14	38.99	-0.38	1.60	1.7	45.0
<b>1-1/2</b>	<b>1.900</b>	<b>+0.019</b>	<b>-0.019</b>	<b>0.625</b>	<b>0.281</b>	<b>1.775</b>	<b>-0.015</b>	<b>0.063</b>	<b>0.065</b>	<b>2.010</b>
40	48.3	+0.48	-0.48	15.88	7.14	45.09	-0.38	1.60	1.7	51.1
<b>2</b>	<b>2.375</b>	<b>+0.024</b>	<b>-0.024</b>	<b>0.625</b>	<b>0.344</b>	<b>2.250</b>	<b>-0.015</b>	<b>0.063</b>	<b>0.065</b>	<b>2.480</b>
50	60.3	+0.61	-0.61	15.88	8.74	57.15	-0.38	1.60	1.7	63.0
<b>2-1/2</b>	<b>2.875</b>	<b>+0.029</b>	<b>-0.029</b>	<b>0.625</b>	<b>0.344</b>	<b>2.720</b>	<b>-0.018</b>	<b>0.078</b>	<b>0.083</b>	<b>2.980</b>
65	73.0	+0.74	-0.74	15.88	8.74	69.09	-0.46	1.98	2.1	75.7
<b>3</b>	<b>3.500</b>	<b>+0.035</b>	<b>-0.031</b>	<b>0.625</b>	<b>0.344</b>	<b>3.344</b>	<b>-0.018</b>	<b>0.078</b>	<b>0.083</b>	<b>3.600</b>
80	88.9	+0.89	-0.79	15.88	8.74	84.94	-0.46	1.98	2.1	91.4
<b>3-1/2</b>	<b>4.000</b>	<b>+0.040</b>	<b>-0.031</b>	<b>0.625</b>	<b>0.344</b>	<b>3.834</b>	<b>-0.020</b>	<b>0.083</b>	<b>0.083</b>	<b>4.100</b>
90	101.6	+1.02	-0.79	15.88	8.74	97.38	-0.51	2.11	2.1	104.1
<b>4</b>	<b>4.500</b>	<b>+0.045</b>	<b>-0.031</b>	<b>0.625</b>	<b>0.344</b>	<b>4.334</b>	<b>-0.020</b>	<b>0.083</b>	<b>0.083</b>	<b>4.600</b>
100	114.3	+1.14	-0.79	15.88	8.74	110.08	-0.51	2.11	2.1	116.8
<b>5</b>	<b>5.563</b>	<b>+0.056</b>	<b>-0.031</b>	<b>0.625</b>	<b>0.344</b>	<b>5.395</b>	<b>-0.022</b>	<b>0.084</b>	<b>0.109</b>	<b>5.660</b>
125	141.3	+1.42	-0.79	15.88	8.74	137.03	-0.56	2.13	2.8	143.8
<b>6</b>	<b>6.625</b>	<b>+0.063</b>	<b>-0.031</b>	<b>0.625</b>	<b>0.344</b>	<b>6.455</b>	<b>-0.022</b>	<b>0.085</b>	<b>0.109</b>	<b>6.730</b>
150	168.3	+1.60	-0.79	15.88	8.74	163.96	-0.56	2.16	2.8	170.9
<b>8</b>	<b>8.625</b>	<b>+0.063</b>	<b>-0.031</b>	<b>0.750</b>	<b>0.469</b>	<b>8.441</b>	<b>-0.025</b>	<b>0.092</b>	<b>0.109</b>	<b>8.800</b>
200	219.1	+1.60	-0.79	19.05	11.91	214.40	-0.64	2.34	2.8	223.5
<b>10</b>	<b>10.750</b>	<b>+0.063</b>	<b>-0.031</b>	<b>0.750</b>	<b>0.469</b>	<b>10.562</b>	<b>-0.027</b>	<b>0.094</b>	<b>0.134</b>	<b>10.920</b>
250	273.1	+1.60	-0.79	19.05	11.91	268.27	-0.69	2.39	3.4	277.4
<b>12</b>	<b>12.750</b>	<b>+0.063</b>	<b>-0.031</b>	<b>0.750</b>	<b>0.469</b>	<b>12.531</b>	<b>-0.030</b>	<b>0.109</b>	<b>0.156</b>	<b>12.920</b>
300	323.9	+1.60	-0.79	19.05	11.91	318.29	-0.76	2.77	4.0	328.2
<b>14 O.D.</b>	<b>14.000</b>	<b>+0.063</b>	<b>-0.031</b>	<b>0.938</b>	<b>0.469</b>	<b>13.781</b>	<b>-0.030</b>	<b>0.109</b>	<b>0.156</b>	<b>14.100</b>
355.6	355.6	+1.60	-0.79	23.83	11.91	350.04	-0.76	2.77	4.0	358.1
<b>16 O.D.</b>	<b>16.000</b>	<b>+0.063</b>	<b>-0.031</b>	<b>0.938</b>	<b>0.469</b>	<b>15.781</b>	<b>-0.030</b>	<b>0.109</b>	<b>0.165</b>	<b>16.100</b>
406.4	406.4	+1.60	-0.79	23.83	11.91	400.84	-0.76	2.77	4.2	708.9
<b>18 O.D.</b>	<b>18.000</b>	<b>+0.063</b>	<b>-0.031</b>	<b>1.000</b>	<b>0.469</b>	<b>17.781</b>	<b>-0.030</b>	<b>0.109</b>	<b>0.165</b>	<b>18.160</b>
457.2	457.2	+1.60	-0.79	25.40	11.91	451.64	-0.76	2.77	4.2	461.3
<b>20 O.D.</b>	<b>20.000</b>	<b>+0.063</b>	<b>-0.031</b>	<b>1.000</b>	<b>0.469</b>	<b>19.781</b>	<b>-0.030</b>	<b>0.109</b>	<b>0.188</b>	<b>20.160</b>
508.0	508.0	+1.60	-0.79	25.40	11.91	502.44	-0.76	2.77	4.8	512.1
<b>24 O.D.</b>	<b>24.000</b>	<b>+0.063</b>	<b>-0.031</b>	<b>1.000</b>	<b>0.563</b>	<b>23.656</b>	<b>-0.030</b>	<b>0.172</b>	<b>0.218</b>	<b>24.200</b>
609.6	609.6	+1.60	-0.79	25.40	14.30	600.86	-0.76	4.37	5.5	614.7
<b>30 O.D.</b>	<b>30.000</b>	<b>+0.093</b>	<b>-0.031</b>	<b>1.750▼</b>	<b>0.625</b>	<b>29.500</b>	<b>-0.063</b>	<b>0.250</b>	<b>0.250</b>	<b>30.200</b>
762.0	762.0	2.36	0.79	44.45	15.88	749.30	1.60	6.35	6.35	761.1

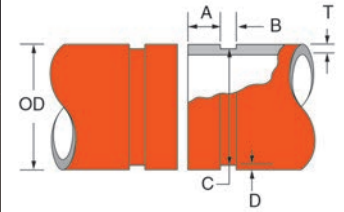




# CUT GROOVE SPECIFICATIONS

**GROOVJOINT STANDARD CUT GROOVE SPECIFICATION  
FOR STEEL & OTHER IPS OR ISO SIZE PIPE**

-1- Nominal IPS Pipe Size	-2- O.D.		-3- Gasket Seat "A" ±0.030/ ±0.76	-4- Groove Width "B" ±0.030/ ±0.76	-5- Groove Diameter "C"		-6- Actual Groove Depth "D" (Ref. Only)	-7- Min. Allow. Wall Thick. "T"
	Actual	Tolerance			Actual	Tol. +0.000		
In./DN(mm)	In./mm	+In./mm -In./mm	In./mm	In./mm	In./mm	In./mm	In./mm	In./mm
<b>1</b>	<b>1.315</b>	<b>+0.028</b> <b>-0.015</b>	<b>0.625</b>	<b>0.312</b>	<b>1.190</b>	<b>-0.015</b>	<b>0.062</b>	<b>0.133</b>
25	33.4	+0.71 -0.38	15.88	7.92	30.23	-0.38	1.6	3.4
<b>1-1/4</b>	<b>1.660</b>	<b>+0.029</b> <b>-0.016</b>	<b>0.625</b>	<b>0.312</b>	<b>1.535</b>	<b>-0.015</b>	<b>0.062</b>	<b>0.140</b>
32	42.2	+0.74 -0.41	15.88	7.92	38.99	-0.38	1.6	3.6
<b>1-1/2</b>	<b>1.900</b>	<b>+0.019</b> <b>-0.019</b>	<b>0.625</b>	<b>0.312</b>	<b>1.775</b>	<b>-0.015</b>	<b>0.062</b>	<b>0.145</b>
40	48.3	+0.48 -0.48	15.88	7.92	45.09	-0.38	1.6	3.7
<b>2</b>	<b>2.375</b>	<b>+0.024</b> <b>-0.024</b>	<b>0.625</b>	<b>0.312</b>	<b>2.250</b>	<b>-0.015</b>	<b>0.062</b>	<b>0.154</b>
50	60.3	+0.61 -0.61	15.88	7.92	57.15	-0.38	1.6	3.9
<b>2-1/2</b>	<b>2.875</b>	<b>+0.029</b> <b>-0.029</b>	<b>0.625</b>	<b>0.312</b>	<b>2.720</b>	<b>-0.018</b>	<b>0.078</b>	<b>0.187</b>
65	73.0	+0.74 -0.74	15.88	7.92	69.09	-0.46	2.0	4.8
<b>3</b>	<b>3.500</b>	<b>+0.035</b> <b>-0.031</b>	<b>0.625</b>	<b>0.312</b>	<b>3.344</b>	<b>-0.018</b>	<b>0.078</b>	<b>0.188</b>
80	88.9	+0.89 -0.79	15.88	7.92	84.94	-0.46	2.0	4.8
<b>3-1/2</b>	<b>4.000</b>	<b>+0.040</b> <b>-0.031</b>	<b>0.625</b>	<b>0.312</b>	<b>3.834</b>	<b>-0.020</b>	<b>0.083</b>	<b>0.188</b>
90	101.6	+1.02 -0.79	15.88	7.92	97.38	-0.51	2.1	4.8
<b>4</b>	<b>4.500</b>	<b>+0.045</b> <b>-0.031</b>	<b>0.625</b>	<b>0.375</b>	<b>4.334</b>	<b>-0.020</b>	<b>0.083</b>	<b>0.203</b>
100	114.3	+1.14 -0.79	15.88	9.53	110.08	-0.51	2.1	5.2
<b>5</b>	<b>5.563</b>	<b>+0.056</b> <b>-0.031</b>	<b>0.625</b>	<b>0.375</b>	<b>5.395</b>	<b>-0.022</b>	<b>0.084</b>	<b>0.203</b>
125	141.3	+1.42 -0.79	15.88	9.53	137.03	-0.56	2.1	5.2
<b>6</b>	<b>6.625</b>	<b>+0.063</b> <b>-0.031</b>	<b>0.625</b>	<b>0.375</b>	<b>6.455</b>	<b>-0.022</b>	<b>0.085</b>	<b>0.219</b>
150	168.3	+1.60 -0.79	15.88	9.53	163.96	-0.56	2.2	5.6
<b>8</b>	<b>8.625</b>	<b>+0.063</b> <b>-0.031</b>	<b>0.750</b>	<b>0.437</b>	<b>8.441</b>	<b>-0.025</b>	<b>0.092</b>	<b>0.238</b>
200	219.1	+1.60 -0.79	19.05	11.10	214.40	-0.64	2.3	6.1
<b>10</b>	<b>10.750</b>	<b>+0.063</b> <b>-0.031</b>	<b>0.750</b>	<b>0.500</b>	<b>10.562</b>	<b>-0.027</b>	<b>0.094</b>	<b>0.250</b>
250	273.1	+1.60 -0.79	19.05	12.70	268.27	-0.69	2.4	6.4
<b>12</b>	<b>12.750</b>	<b>+0.063</b> <b>-0.031</b>	<b>0.750</b>	<b>0.500</b>	<b>12.531</b>	<b>-0.030</b>	<b>0.109</b>	<b>0.279</b>
300	323.9	+1.60 -0.79	19.05	12.70	318.29	-0.76	2.8	7.1
<b>14 O.D.</b>	<b>14.000</b>	<b>+0.063</b> <b>-0.031</b>	<b>0.938</b>	<b>0.500</b>	<b>13.781</b>	<b>-0.030</b>	<b>0.109</b>	<b>0.281</b>
355.6	355.6	+1.60 -0.79	23.83	12.70	350.04	-0.76	2.8	7.1
<b>16 O.D.</b>	<b>16.000</b>	<b>+0.063</b> <b>-0.031</b>	<b>0.938</b>	<b>0.500</b>	<b>15.781</b>	<b>-0.030</b>	<b>0.109</b>	<b>0.312</b>
406.4	406.4	+1.60 -0.79	23.83	12.70	400.84	-0.76	2.8	7.9
<b>18 O.D.</b>	<b>18.000</b>	<b>+0.063</b> <b>-0.031</b>	<b>1.000</b>	<b>0.500</b>	<b>17.781</b>	<b>-0.030</b>	<b>0.109</b>	<b>0.312</b>
457.2	457.2	+1.60 -0.79	25.40	12.70	451.64	-0.76	2.8	7.9
<b>20 O.D.</b>	<b>20.000</b>	<b>+0.063</b> <b>-0.031</b>	<b>1.000</b>	<b>0.500</b>	<b>19.781</b>	<b>-0.030</b>	<b>0.109</b>	<b>0.312</b>
508.0	508.0	+1.60 -0.79	25.40	12.70	502.44	-0.76	2.8	7.9
<b>24 O.D.</b>	<b>24.000</b>	<b>+0.063</b> <b>-0.031</b>	<b>1.000</b>	<b>0.563</b>	<b>23.656</b>	<b>-0.030</b>	<b>0.172</b>	<b>0.375</b>
609.6	609.6	+1.60 -0.79	25.40	14.30	600.86	-0.76	4.4	9.5
<b>28 I.D.</b>	<b>28.875</b>	<b>+0.063</b> <b>-0.031</b>	<b>1.000</b>	<b>0.563</b>	<b>28.531</b>	<b>-0.030</b>	<b>0.172</b>	<b>0.437</b>
733.4	733.4	+1.60 -0.79	25.40	14.30	724.69	-0.76	4.4	11.1
<b>30 I.D.</b>	<b>31.000</b>	<b>+0.063</b> <b>-0.031</b>	<b>1.250</b>	<b>.0625</b>	<b>30.594</b>	<b>-0.030</b>	<b>0.203</b>	<b>0.500</b>
787.4	787.4	+1.60 -0.79	31.75	15.88	777.09	-0.76	5.2	12.7
<b>30 O.D.</b>	<b>30.000</b>	<b>0.093</b> <b>0.031</b>	<b>1.750▼</b>	<b>0.625</b>	<b>29.500</b>	<b>0.063</b>	<b>0.250</b>	<b>0.625</b>
762.0	762.0	2.36 0.79	44.45	15.88	749.30	1.60	6.35	15.88



# **Stainless Steel Press Style Fittings**





# PressJoint Stainless Steel Press Style Fittings Product Line

We are presenting in this catalogue our range of Pressjoint products, the stainless steel tube and Pressfitting system which allows making facilities in a very easy way, without using welding or threads, saving a considerable amount of time and money.

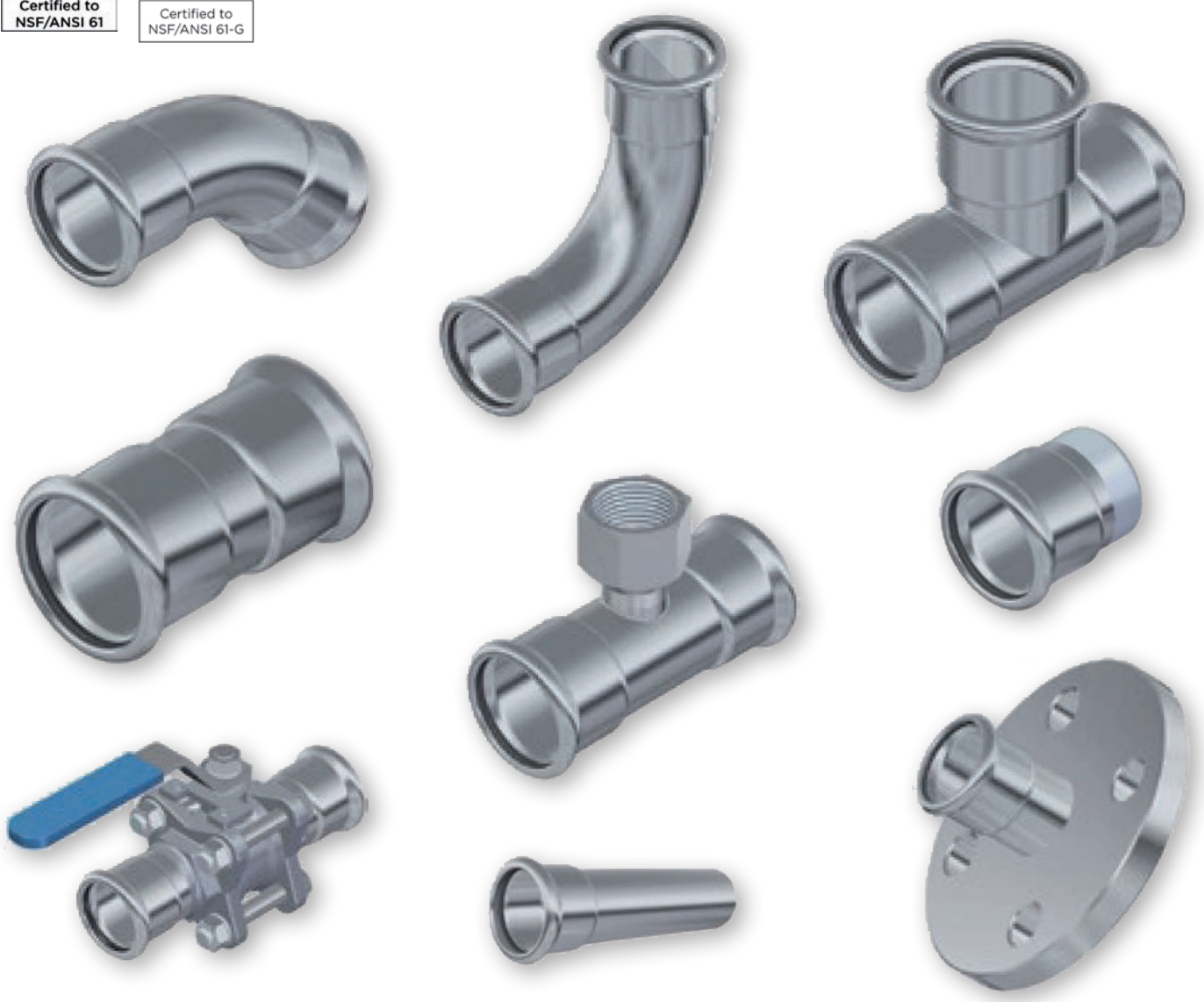
These are the main applications of our system: compressed air, heating facilities, sanitation facilities, fire-extinguishing system (sprinkler), solar energy, plumbing, industrial facilities, shipping facilities and mining.



Certified to  
NSF/ANSI 61

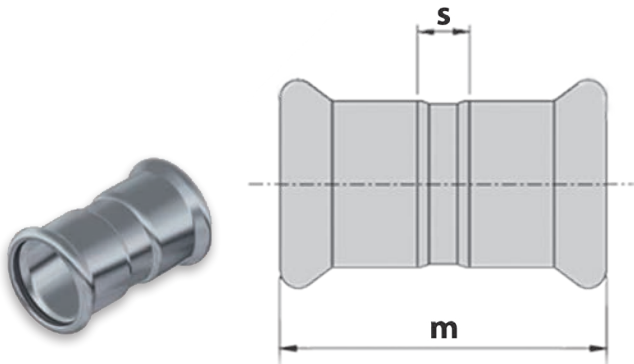


Certified to  
NSF/ANSI 61-G



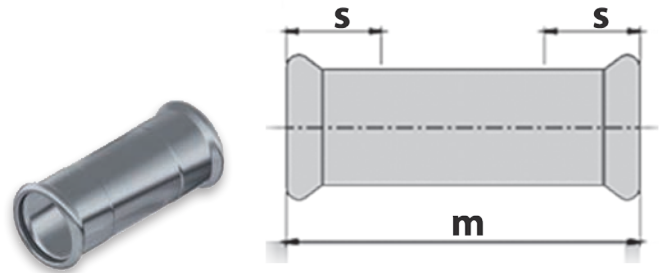
# STAINLESS STEEL PRESS STYLE FITTINGS

## Couplings



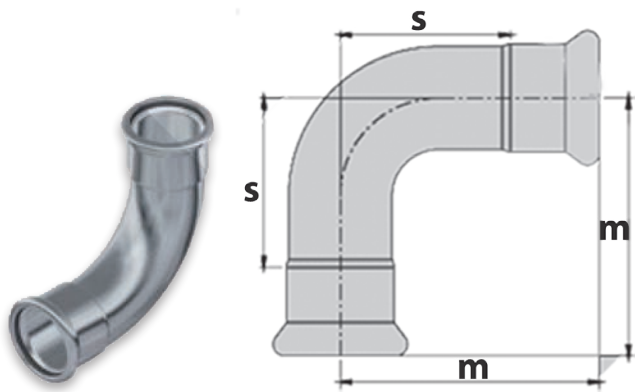
Pipe Size		Dimensions		Weight Lbs (kg)
Nominal Inches mm	O.D. Inches mm	S Inches mm	M Inches mm	
<b>1/2</b>	<b>0.840</b>	<b>0.42</b>	<b>2.09</b>	<b>0.13</b>
15	21.3	10.7	53.1	0.1
<b>3/4</b>	<b>1.050</b>	<b>0.44</b>	<b>2.33</b>	<b>0.18</b>
20	26.7	11.2	59.2	0.1
<b>1</b>	<b>1.315</b>	<b>0.43</b>	<b>2.48</b>	<b>0.23</b>
25	33.4	10.9	63.0	0.1
<b>1-1/2</b>	<b>1.900</b>	<b>0.43</b>	<b>2.84</b>	<b>0.40</b>
40	48.3	10.9	72.1	0.2
<b>2</b>	<b>2.375</b>	<b>0.50</b>	<b>4.05</b>	<b>0.74</b>
50	60.3	12.7	102.9	0.3

## Slip Couplings



Pipe Size		Dimensions		Weight Lbs (kg)
Nominal Inches mm	O.D. Inches mm	S Inches mm	M Inches mm	
<b>1/2</b>	<b>0.840</b>	<b>0.83</b>	<b>2.95</b>	<b>0.18</b>
15	21.3	21.1	74.9	0.1
<b>3/4</b>	<b>1.050</b>	<b>0.95</b>	<b>3.40</b>	<b>0.25</b>
20	26.7	24.1	86.4	0.1
<b>1</b>	<b>1.315</b>	<b>1.02</b>	<b>3.83</b>	<b>0.34</b>
25	33.4	25.9	97.3	0.2
<b>1-1/2</b>	<b>1.900</b>	<b>1.20</b>	<b>4.81</b>	<b>0.63</b>
40	48.3	30.5	122.2	0.3
<b>2</b>	<b>2.375</b>	<b>1.77</b>	<b>6.76</b>	<b>1.13</b>
50	60.3	45.0	171.7	0.5

## 316 SS 90° Elbows



Pipe Size		Dimensions		Weight Lbs (kg)
Nominal Inches mm	O.D. Inches mm	S Inches mm	M Inches mm	
<b>1/2</b>	<b>0.840</b>	<b>1.57</b>	<b>2.41</b>	<b>0.22</b>
15	21.3	39.9	61.2	0.1
<b>3/4</b>	<b>1.050</b>	<b>1.89</b>	<b>2.84</b>	<b>0.33</b>
20	26.7	48.3	72.1	0.2
<b>1</b>	<b>1.315</b>	<b>2.37</b>	<b>3.40</b>	<b>0.48</b>
25	33.4	60.2	86.4	0.2
<b>1-1/2</b>	<b>1.900</b>	<b>2.56</b>	<b>3.76</b>	<b>0.79</b>
40	48.3	65.0	95.5	0.4
<b>2</b>	<b>2.375</b>	<b>3.23</b>	<b>5.00</b>	<b>1.39</b>
50	60.3	82.0	127.0	0.6



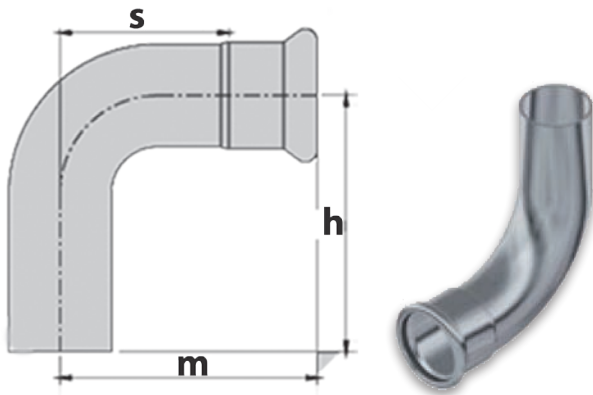
Certified to  
NSF/ANSI 61-G





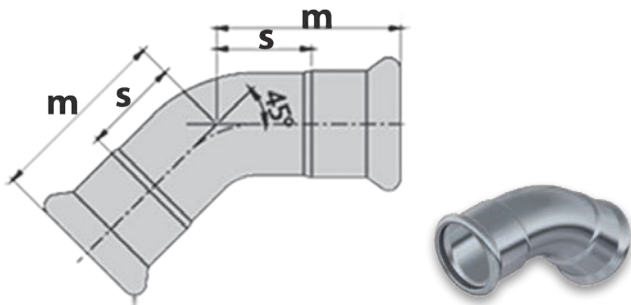
# STAINLESS STEEL PRESS STYLE FITTINGS

## 316 SS 90° Street Elbows



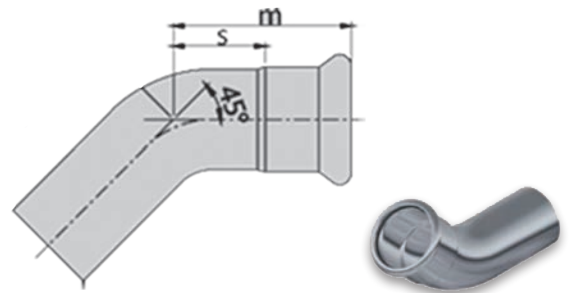
Pipe Size		Dimensions			Weight Lbs (kg)
Nominal Inches mm	O.D. Inches mm	S Inches mm	M Inches mm	H Inches mm	
<b>1/2</b>	<b>0.840</b>	<b>1.57</b>	<b>2.41</b>	<b>2.87</b>	<b>0.24</b>
15	21.3	39.9	61.2	72.9	0.1
<b>3/4</b>	<b>1.050</b>	<b>1.89</b>	<b>2.84</b>	<b>3.27</b>	<b>0.33</b>
20	26.7	48.0	72.1	83.1	0.2
<b>1</b>	<b>1.315</b>	<b>2.37</b>	<b>3.40</b>	<b>3.82</b>	<b>0.37</b>
25	33.4	60.2	86.4	97.0	0.2
<b>1-1/2</b>	<b>1.900</b>	<b>2.48</b>	<b>3.69</b>	<b>4.06</b>	<b>0.77</b>
40	48.3	63.0	93.7	103.1	0.4
<b>2</b>	<b>2.375</b>	<b>3.23</b>	<b>5.00</b>	<b>5.52</b>	<b>1.34</b>
50	60.3	82.0	127.0	140.2	0.6

## 316 SS 45° Elbows



Pipe Size		Dimensions		Weight Lbs (kg)
Nominal Inches mm	O.D. Inches mm	S Inches mm	M Inches mm	
<b>1/2</b>	<b>0.840</b>	<b>0.79</b>	<b>1.62</b>	<b>0.18</b>
15	21.3	20.1	41.1	0.1
<b>3/4</b>	<b>1.050</b>	<b>0.90</b>	<b>1.85</b>	<b>0.24</b>
20	26.7	22.9	47.0	0.2
<b>1</b>	<b>1.315</b>	<b>1.13</b>	<b>2.14</b>	<b>0.37</b>
25	33.4	28.7	54.4	0.2
<b>1-1/2</b>	<b>1.900</b>	<b>1.17</b>	<b>2.37</b>	<b>0.59</b>
40	48.3	29.7	60.2	0.3
<b>2</b>	<b>2.375</b>	<b>1.48</b>	<b>3.24</b>	<b>1.06</b>
50	60.3	37.6	82.3	0.5

## 316 SS 45° Street Elbows



Pipe Size		Dimensions		Weight Lbs (kg)
Nominal Inches mm	O.D. Inches mm	S Inches mm	M Inches mm	
<b>1/2</b>	<b>0.840</b>	<b>0.79</b>	<b>1.62</b>	<b>0.20</b>
15	21.3	20.1	41.1	0.1
<b>3/4</b>	<b>1.050</b>	<b>0.90</b>	<b>1.85</b>	<b>0.26</b>
20	26.7	22.9	47.0	0.2
<b>1</b>	<b>1.315</b>	<b>1.13</b>	<b>2.14</b>	<b>0.37</b>
25	33.4	28.7	54.4	0.2
<b>1-1/2</b>	<b>1.900</b>	<b>1.17</b>	<b>2.37</b>	<b>0.60</b>
40	48.3	29.7	60.2	0.3
<b>2</b>	<b>2.375</b>	<b>1.48</b>	<b>3.24</b>	<b>1.06</b>
50	60.3	37.6	82.3	0.5

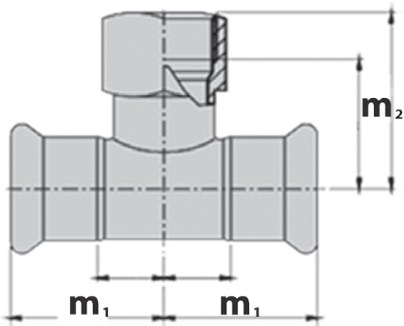


Certified to  
NSF/ANSI 61-G

GroovJoint reserves the right to change the contents without notice.

# STAINLESS STEEL PRESS STYLE FITTINGS

## 316 SS Reducing Tee w/FPT Branch



Pipe Size		Dimensions		Weight Lbs (kg)
Nominal Inches mm	O.D. Inches mm	M2 Inches mm	M1 Inches mm	
<b>1/2 x 1/2 x 1/2</b>	<b>0.84 x 0.84 x 0.84</b>	<b>1.28</b>	<b>1.48</b>	<b>0.26</b>
15 x 15 x 15	21.3 x 21.3 x 21.3	32.5	37.6	0.1
<b>1/2 x 3/4 x 1/2</b>	<b>0.84 x 1.05 x 0.84</b>	<b>1.28</b>	<b>1.48</b>	<b>0.37</b>
15 x 20 x 15	21.3 x 26.7 x 21.3	32.5	37.6	0.2
<b>3/4 x 1/2 x 3/4</b>	<b>1.05 x 0.84 x 1.05</b>	<b>1.50</b>	<b>1.70</b>	<b>0.33</b>
20 x 15 x 20	26.7 x 21.3 x 26.7	38.1	43.2	0.2
<b>3/4 x 3/4 x 3/4</b>	<b>1.05 x 1.05 x 1.05</b>	<b>1.50</b>	<b>1.70</b>	<b>0.40</b>
20 x 20 x 20	26.7 x 26.7 x 26.7	38.1	43.2	0.2
<b>3/4 x 1 x 3/4</b>	<b>1.05 x 1.32 x 1.05</b>	<b>1.50</b>	<b>1.70</b>	<b>0.46</b>
20 x 25 x 20	26.7 x 33.4 x 26.7	38.1	43.2	0.2
<b>1 x 1/2 x 1</b>	<b>1.32 x 0.84 x 1.32</b>	<b>1.78</b>	<b>1.91</b>	<b>0.42</b>
25 x 15 x 25	33.4 x 21.3 x 33.4	45.2	48.5	0.2
<b>1 x 3/4 x 1</b>	<b>1.32 x 1.05 x 1.32</b>	<b>1.78</b>	<b>1.91</b>	<b>0.48</b>
25 x 20 x 25	33.4 x 26.7 x 33.4	45.2	48.5	0.2
<b>1-1/2 x 1/2 x 1-1/2</b>	<b>1.90 x 0.84 x 1.90</b>	<b>3.19</b>	<b>2.80</b>	<b>0.85</b>
40 x 15 x 40	48.3 x 21.3 x 48.3	81.0	71.2	0.4
<b>1-1/2 x 3/4 x 1-1/2</b>	<b>1.90 x 1.05 x 1.90</b>	<b>3.19</b>	<b>2.80</b>	<b>0.91</b>
40 x 20 x 40	48.3 x 26.7 x 48.3	81.0	71.2	0.4
<b>1-1/2 x 1 x 1-1/2</b>	<b>1.90 x 1.32 x 1.90</b>	<b>3.19</b>	<b>2.80</b>	<b>1.03</b>
40 x 25 x 40	48.3 x 33.4 x 48.3	81.0	71.2	0.5
<b>1-1/2 x 1-1/2 x 1-1/2</b>	<b>1.90 x 1.90 x 1.90</b>	<b>3.19</b>	<b>2.80</b>	<b>1.27</b>
40 x 40 x 40	48.3 x 48.3 x 48.3	81.0	71.2	0.6
<b>2 x 1/2 x 2</b>	<b>2.38 x 0.84 x 2.38</b>	<b>3.22</b>	<b>3.39</b>	<b>1.19</b>
50 x 15 x 50	60.3 x 21.3 x 60.3	81.8	8.61	0.5
<b>2 x 3/4 x 2</b>	<b>2.38 x 1.05 x 2.38</b>	<b>3.22</b>	<b>3.39</b>	<b>1.26</b>
50 x 20 x 50	60.3 x 26.7 x 60.3	81.8	8.61	0.6
<b>2 x 1 x 2</b>	<b>2.38 x 1.32 x 2.38</b>	<b>3.22</b>	<b>3.39</b>	<b>1.32</b>
50 x 25 x 50	60.3 x 33.4 x 60.3	81.8	8.61	0.6
<b>2 x 2 x 2</b>	<b>2.38 x 2.38 x 2.38</b>	<b>3.22</b>	<b>3.39</b>	<b>1.90</b>
50 x 50 x 50	60.3 x 60.3 x 60.3	81.8	8.61	0.9



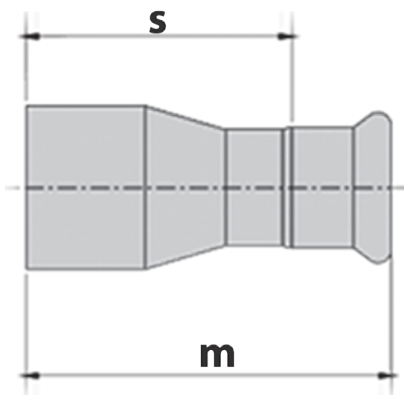
Certified to  
NSF/ANSI 61-G



APPROVED

# STAINLESS STEEL PRESS STYLE FITTINGS

## 316 SS Fitting by Press Reducer

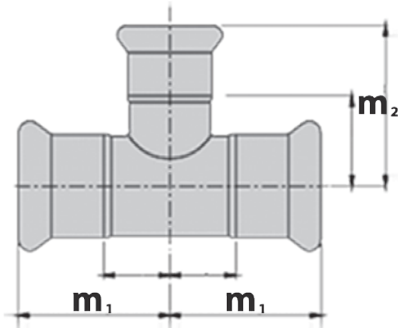


Pipe Size		Dimensions		Weight Lbs (kg)
Nominal Inches mm	O.D. Inches mm	S Inches mm	M Inches mm	
<b>3/4 x 1/2</b>	<b>1.05 x 0.84</b>	<b>1.21</b>	<b>3.04</b>	<b>0.18</b>
20 x 15	26.7 x 21.3	30.7	77.2	0.1
<b>1 x 1/2</b>	<b>1.32 x 0.84</b>	<b>1.30</b>	<b>3.19</b>	<b>0.23</b>
25 x 15	33.4 x 21.3	33.0	81.0	0.1
<b>1 x 3/4</b>	<b>1.32 x 1.05</b>	<b>1.75</b>	<b>3.76</b>	<b>0.26</b>
25 x 20	33.4 x 26.7	44.5	95.5	0.1
<b>1-1/2 x 1/2</b>	<b>1.90 x 0.84</b>	<b>1.15</b>	<b>3.42</b>	<b>0.33</b>
40 x 15	48.3 x 21.3	29.2	86.9	0.1
<b>1-1/2 x 3/4</b>	<b>1.90 x 1.05</b>	<b>1.60</b>	<b>3.55</b>	<b>0.55</b>
40 x 20	48.3 x 26.7	40.6	90.2	0.2
<b>1-1/2 x 1</b>	<b>1.90 x 1.32</b>	<b>2.03</b>	<b>4.25</b>	<b>0.39</b>
40 x 25	48.3 x 33.4	51.6	108.0	0.2
<b>2 x 1/2</b>	<b>2.38 x 0.84</b>	<b>1.62</b>	<b>4.23</b>	<b>0.53</b>
50 x 15	60.3 x 21.3	41.1	107.4	0.2
<b>2 x 3/4</b>	<b>2.38 x 1.05</b>	<b>1.59</b>	<b>4.34</b>	<b>0.35</b>
50 x 20	60.3 x 26.7	40.4	110.2	0.2
<b>2 x 1</b>	<b>2.38 x 1.05</b>	<b>1.55</b>	<b>4.37</b>	<b>0.57</b>
50 x 25	60.3 x 33.4	39.4	111.0	0.3
<b>2 x 1-1/2</b>	<b>2.38 x 1.90</b>	<b>1.79</b>	<b>4.77</b>	<b>0.72</b>
50 x 40	60.3 x 48.3	45.5	121.2	0.3



# STAINLESS STEEL PRESS STYLE FITTINGS

## 316 SS Reducing Tees



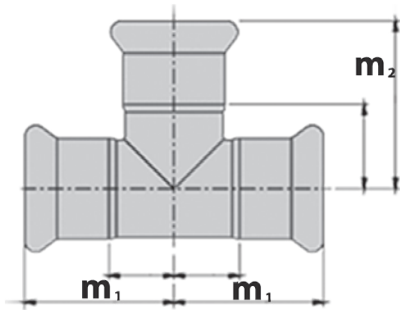
Pipe Size		Dimensions		Weight Lbs (kg)
Nominal Inches mm	O.D. Inches mm	M2 Inches mm	M1 Inches mm	
<b>3/4 x 1/2 x 3/4</b>	<b>1.05 x 0.84 x 1.05</b>	<b>1.50</b>	<b>1.70</b>	<b>0.31</b>
20 x 15 x 20	26.7 x 21.3 x 26.7	38.1	43.2	0.1
<b>1 x 1/2 x 1</b>	<b>1.32 x 0.84 x 1.32</b>	<b>1.78</b>	<b>1.91</b>	<b>0.40</b>
25 x 15 x 25	33.4 x 21.3 x 33.4	45.2	48.5	0.2
<b>1 x 3/4 x 1</b>	<b>1.32 x 1.05 x 1.32</b>	<b>1.78</b>	<b>1.91</b>	<b>0.42</b>
25 x 20 x 25	33.4 x 26.7 x 33.4	45.2	48.5	0.2
<b>1-1/2 x 1/2 x 1-1/2</b>	<b>1.90 x 0.84 x 1.90</b>	<b>3.19</b>	<b>2.80</b>	<b>0.79</b>
40 x 15 x 40	48.3 x 21.3 x 48.3	81.0	71.2	0.4
<b>1-1/2 x 3/4 x 1-1/2</b>	<b>1.90 x 1.05 x 1.90</b>	<b>3.19</b>	<b>2.80</b>	<b>0.81</b>
40 x 20 x 40	48.3 x 26.7 x 48.3	81.0	71.2	0.4
<b>1-1/2 x 1 x 1-1/2</b>	<b>1.90 x 1.32 x 1.90</b>	<b>3.19</b>	<b>2.80</b>	<b>0.84</b>
40 x 25 x 40	48.3 x 33.4 x 48.3	81.0	71.2	0.4
<b>1-1/2 x 1-1/4 x 1-1/2</b>	<b>1.90 x 1.66 x 1.90</b>	<b>3.19</b>	<b>2.80</b>	<b>0.88</b>
40 x 32 x 40	48.3 x 42.1 x 48.3	81.0	71.2	0.4
<b>2 x 1/2 x 2</b>	<b>2.38 x 0.84 x 2.38</b>	<b>3.22</b>	<b>3.39</b>	<b>1.17</b>
50 x 15 x 50	60.3 x 21.3 x 60.3	81.8	86.1	0.5
<b>2 x 3/4 x 2</b>	<b>2.38 x 1.05 x 2.38</b>	<b>3.22</b>	<b>3.39</b>	<b>1.19</b>
50 x 20 x 50	60.3 x 26.7 x 60.3	81.8	86.1	0.5
<b>2 x 1 x 2</b>	<b>2.38 x 1.32 x 2.38</b>	<b>3.22</b>	<b>3.39</b>	<b>1.23</b>
50 x 25 x 50	60.3 x 33.4 x 60.3	81.8	86.1	0.6
<b>2 x 1-1/4 x 2</b>	<b>2.38 x 1.66 x 2.38</b>	<b>3.22</b>	<b>3.39</b>	<b>1.27</b>
50 x 32 x 50	60.3 x 42.1 x 60.3	81.8	86.1	0.6
<b>2 x 1-1/2 x 2</b>	<b>2.38 x 1.90 x 2.38</b>	<b>3.22</b>	<b>3.39</b>	<b>1.32</b>
50 x 40 x 50	60.3 x 48.3 x 60.3	81.8	86.1	0.6





# STAINLESS STEEL PRESS STYLE FITTINGS

## 316 SS Tees

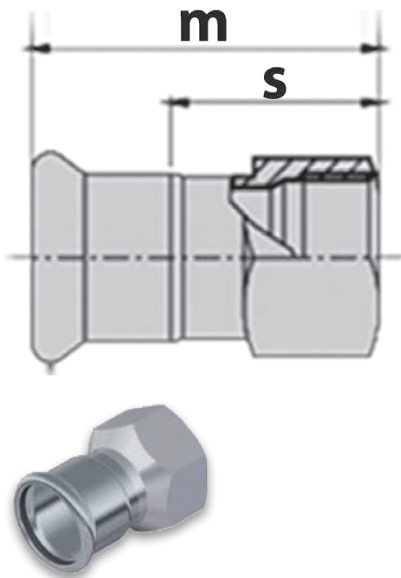


Pipe Size		Dimensions		Weight Lbs (kg)
Nominal Inches <i>mm</i>	O.D. Inches <i>mm</i>	M2 Inches <i>mm</i>	M1 Inches <i>mm</i>	
<b>1/2</b>	<b>0.840</b>	<b>1.28</b>	<b>1.64</b>	<b>0.24</b>
15	21.3	32.5	41.7	0.1
<b>3/4</b>	<b>1.050</b>	<b>1.50</b>	<b>1.87</b>	<b>0.33</b>
20	26.7	38.1	47.5	0.2
<b>1</b>	<b>1.315</b>	<b>1.78</b>	<b>2.09</b>	<b>0.46</b>
25	33.4	45.2	53.1	0.2
<b>1-1/2</b>	<b>1.900</b>	<b>3.19</b>	<b>2.63</b>	<b>0.92</b>
40	48.3	81.0	66.8	0.4
<b>2</b>	<b>2.375</b>	<b>3.22</b>	<b>3.39</b>	<b>1.48</b>
50	60.3	81.8	86.1	0.7



# STAINLESS STEEL PRESS STYLE FITTINGS

## 316 SS Female Adaptors

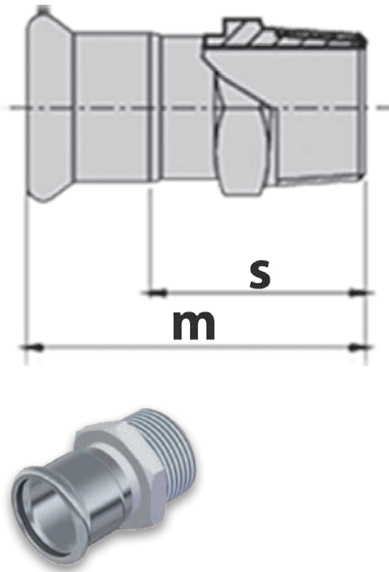


Pipe Size		Dimensions		Weight Lbs (kg)
Nominal Inches mm	O.D. Inches mm	S Inches mm	M Inches mm	
<b>1/2 x 1/2</b>	<b>0.84 x 0.84</b>	<b>0.66</b>	<b>2.17</b>	<b>0.20</b>
15 x 15	21.3 x 21.3	16.8	55.1	0.1
<b>1/2 x 3/4</b>	<b>0.84 x 1.05</b>	<b>0.92</b>	<b>2.44</b>	<b>0.28</b>
15 x 20	21.3 x 26.7	23.4	62.0	0.1
<b>1/2 x 1</b>	<b>0.84 x 1.32</b>	<b>0.89</b>	<b>2.56</b>	<b>0.43</b>
15 x 25	21.3 x 33.4	22.6	65.0	0.2
<b>3/4 x 1/2</b>	<b>1.05 x 0.84</b>	<b>0.84</b>	<b>2.47</b>	<b>0.32</b>
20 x 15	26.7 x 21.3	21.3	62.8	0.2
<b>3/4 x 3/4</b>	<b>1.05 x 1.05</b>	<b>0.70</b>	<b>2.45</b>	<b>0.28</b>
20 x 20	26.7 x 26.7	17.8	62.2	0.1
<b>3/4 x 1</b>	<b>1.05 x 1.32</b>	<b>0.66</b>	<b>2.59</b>	<b>0.43</b>
20 x 25	26.7 x 33.4	16.8	65.8	0.2
<b>1 x 1/2</b>	<b>1.32 x 0.84</b>	<b>0.86</b>	<b>2.56</b>	<b>0.50</b>
25 x 15	33.4 x 21.3	21.8	65.0	0.2
<b>1 x 3/4</b>	<b>1.32 x 0.84</b>	<b>0.86</b>	<b>2.56</b>	<b>0.43</b>
25 x 20	33.4 x 21.3	21.8	65.0	0.2
<b>1 x 1</b>	<b>1.32 x 1.32</b>	<b>0.72</b>	<b>2.56</b>	<b>0.43</b>
25 x 25	33.4 x 33.4	18.3	65.0	0.2
<b>1 x 1-1/4</b>	<b>1.32 x 1.66</b>	<b>1.09</b>	<b>2.95</b>	<b>0.69</b>
25 x 32	33.4 x 42.1	27.7	75.0	0.3
<b>1 x 1-1/2</b>	<b>1.32 x 1.90</b>	<b>1.05</b>	<b>3.13</b>	<b>0.80</b>
25 x 40	33.4 x 48.3	26.7	79.5	0.4
<b>1-1/2 x 1</b>	<b>1.90 x 1.32</b>	<b>1.01</b>	<b>3.06</b>	<b>1.26</b>
40 x 25	48.3 x 33.4	25.7	77.7	0.6
<b>1-1/2 x 1-1/2</b>	<b>1.90 x 1.90</b>	<b>0.80</b>	<b>3.05</b>	<b>0.64</b>
40 x 40	48.3 x 48.3	20.3	77.5	0.3
<b>1-1/2 x 2</b>	<b>1.90 x 2.38</b>	<b>1.39</b>	<b>3.65</b>	<b>1.21</b>
40 x 50	48.3 x 60.3	35.3	92.7	0.5
<b>2 x 1-1/2</b>	<b>2.38 x 1.90</b>	<b>1.20</b>	<b>3.90</b>	<b>1.83</b>
50 x 40	60.3 x 48.3	30.5	99.1	0.8
<b>2 x 2</b>	<b>2.38 x 2.38</b>	<b>1.18</b>	<b>3.94</b>	<b>1.04</b>
50 x 50	60.3 x 60.3	30	100.1	0.5



# STAINLESS STEEL PRESS STYLE FITTINGS

## 316 SS Male Adaptors

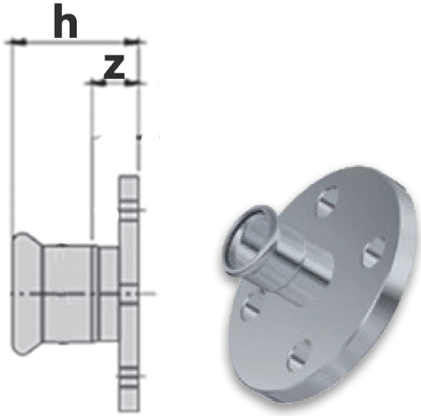


Pipe Size		Dimensions		Weight Lbs (kg)
Nominal Inches mm	O.D. Inches mm	S Inches mm	M Inches mm	
<b>1/2 x 1/2</b>	<b>0.84 x 0.84</b>	<b>0.78</b>	<b>2.21</b>	<b>0.15</b>
15 x 15	21.3 x 21.3	19.8	56.1	0.1
<b>1/2 x 3/4</b>	<b>0.84 x 1.05</b>	<b>0.80</b>	<b>2.30</b>	<b>0.20</b>
15 x 20	21.3 x 26.7	20.3	58.4	0.1
<b>1/2 x 1</b>	<b>0.84 x 1.32</b>	<b>0.81</b>	<b>2.44</b>	<b>0.34</b>
15 x 25	21.3 x 33.4	20.6	62.0	0.2
<b>3/4 x 1/2</b>	<b>1.05 x 0.84</b>	<b>0.81</b>	<b>2.35</b>	<b>0.22</b>
20 x 15	26.7 x 21.3	20.6	59.7	0.1
<b>3/4 x 3/4</b>	<b>1.05 x 1.05</b>	<b>0.81</b>	<b>2.43</b>	<b>0.21</b>
20 x 20	26.7 x 26.7	20.6	61.7	0.1
<b>3/4 x 1</b>	<b>1.05 x 1.32</b>	<b>0.87</b>	<b>2.56</b>	<b>0.29</b>
20 x 25	26.7 x 33.4	22.1	65.0	0.1
<b>1 x 3/4</b>	<b>1.32 x 1.05</b>	<b>0.83</b>	<b>2.52</b>	<b>0.28</b>
25 x 20	33.4 x 26.7	21.1	64.0	0.1
<b>1 x 1</b>	<b>1.32 x 1.32</b>	<b>0.82</b>	<b>2.56</b>	<b>0.43</b>
25 x 25	33.4 x 33.4	20.8	67.1	0.1
<b>1 x 1-1/2</b>	<b>1.32 x 1.90</b>	<b>0.90</b>	<b>2.74</b>	<b>0.58</b>
25 x 40	33.4 x 48.3	22.9	69.6	0.3
<b>1-1/2 x 3/4</b>	<b>1.90 x 1.05</b>	<b>0.91</b>	<b>2.78</b>	<b>0.55</b>
40 x 20	48.3 x 26.7	23.1	70.6	0.3
<b>1-1/2 x 1</b>	<b>1.90 x 1.32</b>	<b>0.91</b>	<b>2.90</b>	<b>0.62</b>
40 x 25	48.3 x 33.4	23.1	73.7	0.3
<b>1-1/2 x 1-1/2</b>	<b>1.90 x 1.90</b>	<b>0.90</b>	<b>2.92</b>	<b>0.64</b>
40 x 40	48.3 x 48.3	22.9	74.2	0.3
<b>2 x 1-1/2</b>	<b>2.38 x 1.90</b>	<b>0.90</b>	<b>3.48</b>	<b>0.94</b>
50 x 40	60.3 x 48.3	22.9	88.4	0.4
<b>2 x 2</b>	<b>2.38 x 2.38</b>	<b>0.98</b>	<b>3.78</b>	<b>1.04</b>
50 x 50	60.3 x 60.3	25.9	96.0	0.5



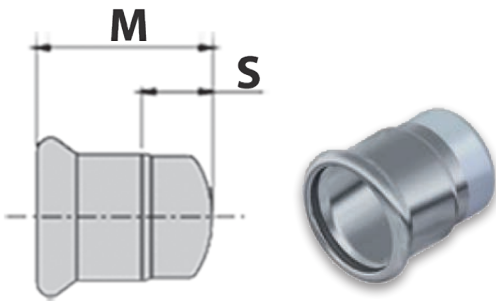
# STAINLESS STEEL PRESS STYLE FITTINGS

## 316 SS Flange Adaptors Press x Flg



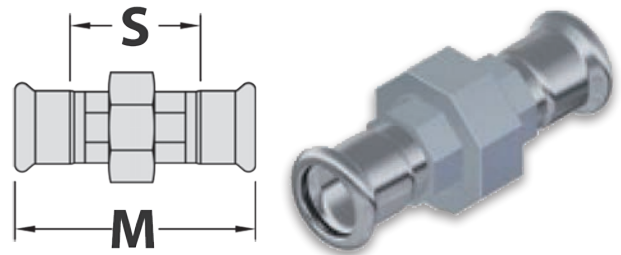
Pipe Size		Dimensions		Weight Lbs (kg)
Nominal Inches mm	O.D. Inches mm	H Inches mm	Z Inches mm	
1/2	0.840	1.85	1.02	0.84
15	21.3	47.0	25.9	0.4
3/4	1.050	2.21	1.27	1.28
20	26.7	56.1	32.3	0.6
1	1.315	2.52	1.50	1.77
25	33.4	64.0	38.1	0.8
1-1/2	1.900	3.41	2.20	2.90
40	48.3	86.7	55.9	1.3
2	2.375	4.72	2.94	4.65
50	60.3	119.9	74.7	2.1

## 316 SS End Caps



Pipe Size		Dimensions		Weight Lbs (kg)
Nominal Inches mm	O.D. Inches mm	S Inches mm	M Inches mm	
1/2	0.840	0.72	1.56	0.09
15	21.3	18.3	39.6	0.1
3/4	1.050	0.79	1.74	0.13
20	26.7	20.1	44.2	0.1
1	1.315	0.83	1.85	0.18
25	33.4	21.1	47.0	0.1
1-1/2	1.900	0.95	2.15	0.33
40	48.3	24.1	54.6	0.1
2	2.375	1.14	2.91	0.55
50	60.3	29.0	73.9	0.2

## 316 SS Unions Press x Press



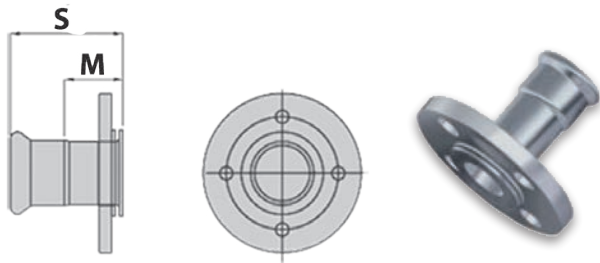
Pipe Size		Dimensions		Weight Lbs (kg)
Nominal Inches mm	O.D. Inches mm	S Inches mm	M Inches mm	
1/2	0.840	2.35	4.02	0.62
15	21.3	59.7	102.1	0.3
3/4	1.050	2.64	4.54	0.82
20	26.7	67.1	115.3	0.4
1	1.315	2.72	4.76	0.97
25	33.4	69.1	120.9	0.4
1-1/2	1.900	3.88	6.29	2.36
40	48.3	98.6	159.8	1.1
2	2.375	4.72	8.26	3.70
50	60.3	119.0	209.8	1.7





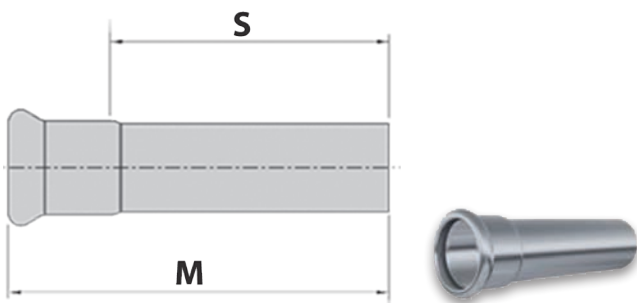
# STAINLESS STEEL PRESS STYLE FITTINGS

## 316 SS Van Stone Flg Adaptors



Pipe Size		Dimensions		Weight Lbs (kg)
Nominal Inches mm	O.D. Inches mm	S Inches mm	M Inches mm	
<b>1/2</b>	<b>0.840</b>	<b>3.07</b>	<b>2.23</b>	<b>0.95</b>
15	21.3	78.0	56.6	0.4
<b>3/4</b>	<b>1.050</b>	<b>3.19</b>	<b>2.24</b>	<b>1.39</b>
20	26.7	81.0	56.9	0.6
<b>1</b>	<b>1.315</b>	<b>3.27</b>	<b>2.24</b>	<b>1.84</b>
25	33.4	83.1	56.9	0.8
<b>1-1/2</b>	<b>1.900</b>	<b>3.45</b>	<b>2.24</b>	<b>2.98</b>
40	48.3	87.6	56.9	1.4
<b>2</b>	<b>2.375</b>	<b>4.53</b>	<b>2.76</b>	<b>4.79</b>
50	60.3	115.1	70.1	2.2

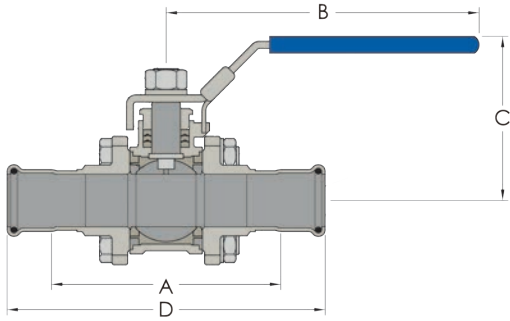
## 316 SS Weld Adaptors



Pipe Size		Dimensions		Weight Lbs (kg)
Nominal Inches mm	O.D. Inches mm	S Inches mm	M Inches mm	
<b>1/2</b>	<b>0.840</b>	<b>4.00</b>	<b>5.13</b>	<b>0.25</b>
15	21.3	101.6	130.3	0.1
<b>3/4</b>	<b>1.050</b>	<b>4.00</b>	<b>5.27</b>	<b>0.33</b>
20	26.7	101.6	133.9	0.2
<b>1</b>	<b>1.315</b>	<b>4.00</b>	<b>5.34</b>	<b>0.42</b>
25	33.4	101.6	135.6	0.2
<b>1-1/2</b>	<b>1.900</b>	<b>4.00</b>	<b>5.52</b>	<b>0.65</b>
40	48.3	101.6	140.2	0.3
<b>2</b>	<b>2.375</b>	<b>4.00</b>	<b>6.09</b>	<b>0.92</b>
50	60.3	101.6	154.7	0.4

# STAINLESS STEEL PRESS STYLE FITTINGS

## 3 PCS SS Ball Valve Press x Presses



Pipe Size		Nominal Dimensions				Approx. Weight Lbs.
Nominal Inches	O.D. Inches	A Inches	B Inches	C Inches	D Inches	
1/2	0.840	2.375	4.280	2.000	4.250	.7000
3/4	1.050	3.125	5.500	2.375	5.125	1.410
1	1.315	3.900	5.430	2.750	5.850	2.750
1-1/2	1.900	4.375	8.070	3.125	6.375	5.000
2	2.375	5.000	8.500	3.500	8.625	8.000



## Actuation

Available upon request in either pneumatic or electric.



# MAIN PRESSFITTING TOOLS

## M18™ Force Logic Long Throw Press Tool 1/2"-1" Kit



### Overview:

The M18™ Force Logic™ Long Throw Press Tool is the smallest, lightest press tool available today. It features an in-line design, offers the most ergonomic solution for navigating around installed pipes, and also delivers on the highest level of press accuracy and reliability available. The M18™ Force Logic™ Press Tool monitors the force output to ensure quality connections and features the best calibration standard in the industry.

### Features:

- A long stroke provides the ability to press larger dimensions and more demanding pipe like stainless steel, for example
- Press indicator provides a visual assurance there is a quality connection
- A shorter stroke provides faster press times on jaws and copper rings
- Smallest, lightest long throw press tool in the market; weighs 9.5 lbs.
- Industry leading 40,000 cycles between calibration inspections
- System provides up to 35+ solutions on one pack
- Balanced, in-line design

### Contents:

- (1) M18™ FORCE LOGIC™ Long Throw Press Tool Kit (2773-22L)
- (2) M18™ REDLITHIUM™ XC Extended Capacity Battery (48-11-1828)
- (1) M18™ & M12™ Multi-Voltage Charger (48-59-1812)
- (1) M18™ 1/2" SS Jaw (49-16-2650S)
- (1) M18™ 3/4" SS Jaw (49-16-2651S)
- (1) M18™ 1" SS Jaw (49-16-2652S)
- (1) Hard Carrying Case

Specifications			
<b>Voltage</b>	18V	<b>Weight</b>	10.1 lbs.
<b>Battery</b>	M18™ REDLITHIUM™	<b>Width</b>	4.8"
<b>Charger</b>	M18™ and M12™ Multi-Voltage Charger	<b>Force</b>	7,200 lbs.
<b>Tool Warranty</b>	5 years	<b>Jaw Warranty</b>	2 years
<b>Battery Warranty</b>	3 years	<b>Jaw Capacity</b>	½" – 4" CU, ½" – 2" SS Fitting
<b>Length</b>	20.1"	<b>Approx. Cycle Time</b>	5 seconds and 10 seconds at full stroke

*This tool is the only tool authorized by GroovJoint to be used with the GroovJoint press system.*

*GroovJoint reserves the right to change the contents without notice.*



# MAIN PRESSFITTING TOOLS

## M18™ 1-1/2" & 2" SS Rings

M18™ Force Logic™ Stainless Steel Press Rings provide a solution that takes the advantage of press versus welding or threading to the max. Pressing 1-1/2 - 2" pipes using a 2-hinge design provides quality connections in close quarters. M18™ SS Press Rings require the Ring Jaw 2.

- 2" Kit: 49-16-2654S
- 1-1/2" Kit: 49-16-2655S

### Features:

- Easy Opening Jaw designed for one-handed use
- Compatible with M18™ Force Logic Press Tools



Specifications	
Type	Press & Expansion Accessories   Press & Expansion Tools
Jaw Capacity	1-1/2"; 2"
Jaw Warranty	2 years
Warranty	No Warranty

## Ring Jaw 2

M18™ Force Logic™ Ring Jaw 2 provide a solution that takes the advantage of press versus welding or threading to the max. Pressing 1-1/2 - 2" pipes using a 2-hinge design provides quality connections in close quarters. M18™ Ring Jaw 2 is designed for use with the 1-1/2" and/or 2" M18™ SS Press Rings.



- Ring Jaw 2: 49-16-2659S

Specifications	
Type	Press & Expansion Accessories   Press & Expansion Tools
Warranty	No Warranty

*These accessories are authorized by GroovJoint to be used with the GroovJoint press system.*

# COUPLING GASKET GREASE

## TUF-LUBE™ Grooved Coupling Gasket Grease

Tuf-Lube is a mixed fatty acid soap dispersed in glycols and water solvents with a clay pigment filler.

It resists evaporation and will not freeze.

Mating of abutting pipes forces the gel into the cavity, thus providing the needed lubrication to complete coupling and seal the joint.

The soap lubricant does not dry out when gaskets are stored in sealed plastic containers or bags.



- Tuf Lube maintains its soft paste consistency and amber/tan color.
- Can be used from -10°F to 150°F.
- Can be used on all types of pipe including asbestos cement, cast iron, concrete, plastic and clay pipe.
- Will not deteriorate natural rubber, synthetic rubber or plastic gaskets.
- Tuf-Lube is certified to meet NSF code 61 standards for potable water system uses.
- Strict analytical standards and formula consistency are used to assure production of a safe lubricant for water pipe joining needs.
- Environmentally friendly raw materials common in the soap and lubricants industry are used in producing Tuf-Lube.
- Will not irritate the hands and is not toxic.
- Contains no petroleum oils or phosphates.
- Contains no silicone.
- Manufactured in the USA.
- VOC Content: Minimal (2%)
- Available in 1 quart tub (#1010031) and 55-gallon drum (#1010033).

The information contained herein is produced in good faith and is believed to be reliable but is for guidance only. GroovJoint cannot assume liability or responsibility for results obtained in the use of its product by persons whose methods are outside or beyond our control. It is the user's responsibility to determine the suitability of any of the products, methods of use, or preparation prior to use, mentioned in our literature. It is the user's responsibility to observe and adapt such precautions as may be advisable for the protection of personnel and property in the handling and use of any of our products.

Appearance (neat)	Soft Amber Paste/Bland Odor
ph (1%)	9.5
Bulk Density	9.3 lb/gal
Free Fatty Acid	1-3%
Total Alkalinity	100 mg KOH/g equivalent
Penetration	300-350 1/10mm @ 77°F 200-250 1/10mm @ 0°F

# NOTES



# Data Sheets

Data Sheets are available upon request or via [www.groovjoint.com](http://www.groovjoint.com).

## Terms & Conditions of Sale

**These terms and conditions shall apply to any purchase order or sales of GroovJoint products.**

***No alteration, modification or waiver of these terms and conditions whether on Customer's purchase order or otherwise shall be valid unless the alteration, modification or waiver is specifically accepted in writing by an authorized representative of GroovJoint.***

Designs and Terms and Conditions of Sale are subject to change without notice.

**TERMS OF PAYMENT:** As stated on invoice.

**MINIMUM INVOICE CHARGES:** \$50.00 for any single order.

**SHIPPING TERMS:** F.O.B. shipping point- freight prepaid and allowed on single orders having a net price value of \$7,500 or more, for shipment at one time to one destination, as determined by GroovJoint within the continental United States, excluding Alaska, Hawaii, Puerto Rico and U.S. possessions.

Shipping on orders less than net price value of \$7500, F.O.B. shipping point will be paid by the customer. The cost of any special packaging or handling that has been requested by the customer, and is not part of our normal handling methods, will be added to the order and paid by the customer.

GroovJoint will make every effort to ship by the scheduled delivery date, but reserves the right to ship within a reasonable period thereafter. **GroovJoint shall not be held liable for any kind of damages, including but not limited to incidental or consequential damages for lost revenue or lost sales or liquidated damages, directly or indirectly arising from delays or failure to meet shipping dates.**

Orders, when accepted, cannot be cancelled without our written consent. No material will be taken back without our written consent. **Orders for non-standard (i.e. non-cancellable/non-returnable) material may not be cancelled nor will GroovJoint accept return of such material for credit.**

Claims for corrections must be made within 10 days of receipt of goods. Carriers are responsible for goods lost, damaged or delayed in transit. For your own protection, have Transportation Company's agent verify damages, shortages or delays and note them on freight bill.

**WARRANTY:** We warrant all products to be free from defects in materials and workmanship under normal conditions of use and service. Our obligation under this warranty is limited to repairing or replacing at our option at our factory any product which shall within one year after delivery to original buyer be returned with transportation charges prepaid, and which our examination shall show to our satisfaction to have been defective.

THIS WARRANTY IS MADE EXPRESSLY IN LIEU OF ANY OTHER WARRANTIES, EXPRESS OR IMPLIED, INCLUDING ANY IMPLIED WARRANTY OF MERCHANTABILITY OR FITNESS FOR A PARTICULAR PURPOSE. THE BUYER'S SOLE AND EXCLUSIVE REMEDY SHALL BE FOR THE REPAIR OR REPLACEMENT OF DEFECTIVE PRODUCTS AS PROVIDED HEREIN. THE BUYER AGREES THAT NO OTHER REMEDY (INCLUDING, BUT NOT LIMITED TO, INCIDENTAL OR CONSEQUENTIAL DAMAGES FOR LOST PROFITS, LOST SALES, INJURY TO PERSON OR PROPERTY OR ANY OTHER INCIDENTAL OR CONSEQUENTIAL LOSS) SHALL BE AVAILABLE TO HIM.

GroovJoint neither assumes nor authorizes any person to assume for it any other liability in connection with the sale of such products.

**This warranty shall not apply to any product which has been subject to negligence, misuse, or accident, which has been repaired or altered in any manner outside of GroovJoint's facilities or which has been used in a manner contradictory to GroovJoint's instructions or recommendations. GroovJoint shall not be responsible for design errors due to inaccurate or incomplete information supplied by Buyer or its representatives.**



**“Groovjoint Products are  
Manufactured by Proud  
American Craftsmen”**

**Corporate Office:  
155 North Wacker Drive  
Suite 4250  
Chicago, IL 60606  
312-803-2627 – Phone  
sales@GroovJoint.com  
www.GroovJoint.com**

**Middle East Office:  
Level 14, Boulevard Plaza Tower 1  
Sheikh Mohammed Bin Rashid Boulevard  
Downtown Dubai, PO Box 334036  
Dubai, United Arab Emirates  
+971 4 424 5036 – Phone  
+971 4 455 8556 – Fax  
sales@GroovJoint.com  
www.GroovJoint.com**

