

Building connections that last™

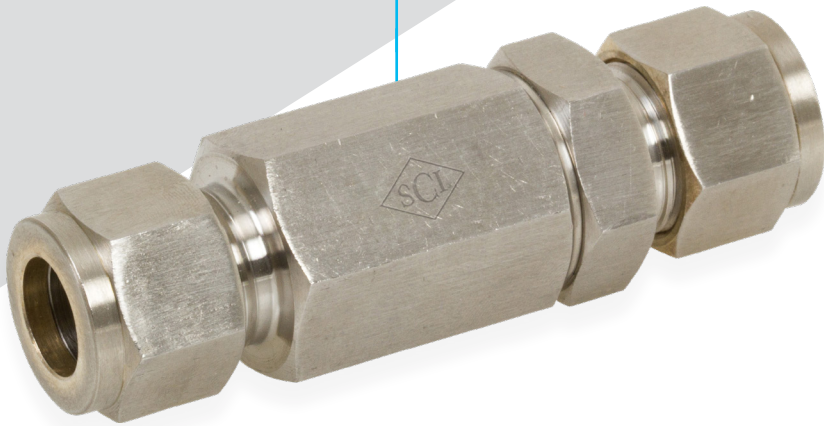


Series S76PCV3

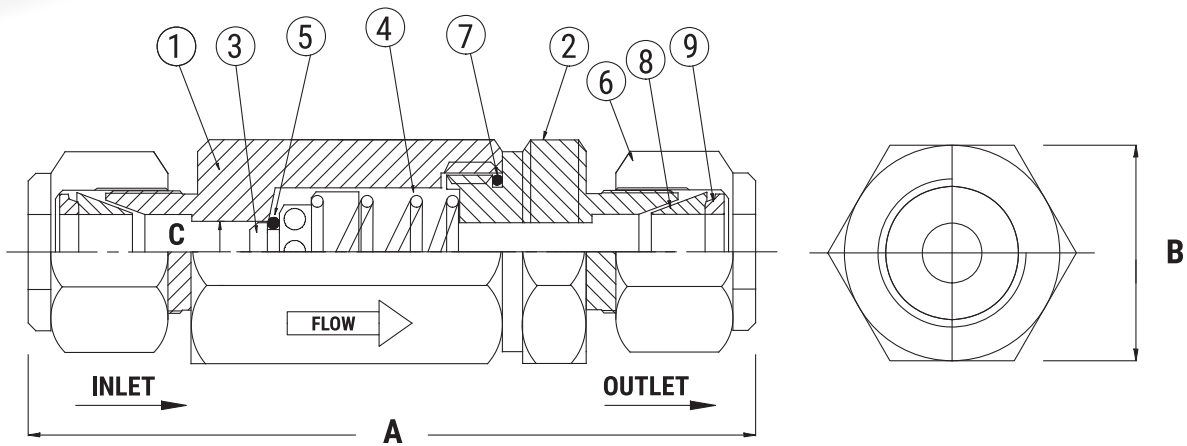
3000 psi Stainless Poppet
Check Valve Datasheet



3000 psi Stainless Poppet Check Valve Series S76PCV3



- 3000 psi @ 200°F
- 316 stainless steel
- Double ferrule compression tube ends
- Viton seal



Parts & Materials

No.	Part	Material
1	Body	316 Stainless Steel
2	Adapter	316 Stainless Steel
3	Poppet	316 Stainless Steel
4	Spring	316 Stainless Steel
5	Seal	Viton
6	Nut	316 Stainless Steel
7	Joint	Viton
8	Front Ferrule	316 Stainless Steel
9	Back Ferrule	316 Stainless Steel

Dimensions

Size	Part Number	Weight	A	B	C
In.		Lb.	In.	In.	In.
¼	S76PCV3002	0.3	2.95	0.75	0.19
⅜	S76PCV3003	0.3	3.07	0.87	0.28
½	S76PCV3004	0.5	3.46	0.98	0.39
¾	S76PCV3006	0.6	4.13	1.10	0.59
1	S76PCV3010	1.5	4.53	1.77	0.75

About ASC Engineered Solutions

ASC Engineered Solutions is defined by quality—in its products, services and support. With more than 1,400 employees, the company's portfolio of precision-engineered piping support, valves and connections provides products to more than 4,000 customers across industries, such as mechanical, industrial, fire protection, oil and gas, and commercial and residential construction. Its portfolio of leading brands includes ABZ Valve®, AFCON®, Anvil®, Anvil EPS, Anvil Services, Basic-PSA, Beck®, Catawissa, Cooplet®, FlexHead®, FPPI®, Gruklok®, J.B. Smith, Merit®, North Alabama Pipe, Quadrant®, SCI®, Sharpe®, SlideLOK®, SPF® and SprinkFLEX®. With headquarters in Commerce, CA, and Exeter, NH, ASC also has ISO 9001:2015 certified production facilities in PA, TN, IL, TX, AL, LA, KS, and RI.



asc-es.com

Building connections that last™

FC-DS-SERIES-S76PCV3-v01 20210823

