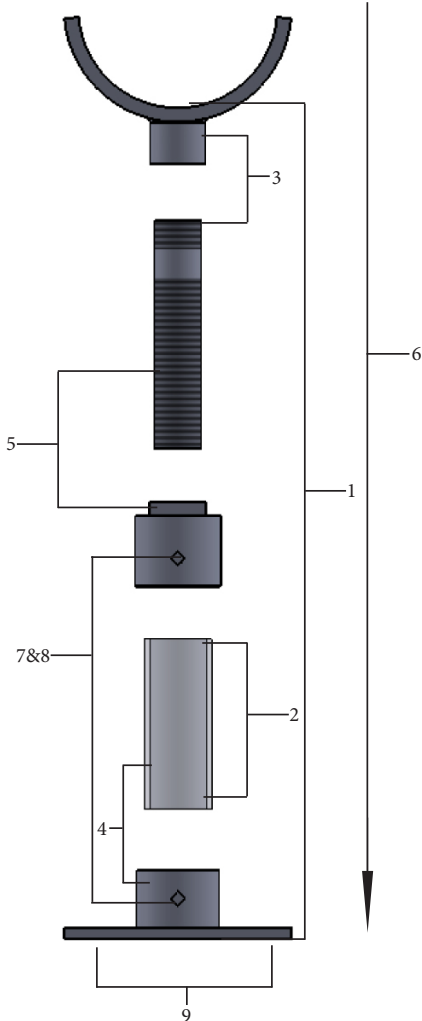
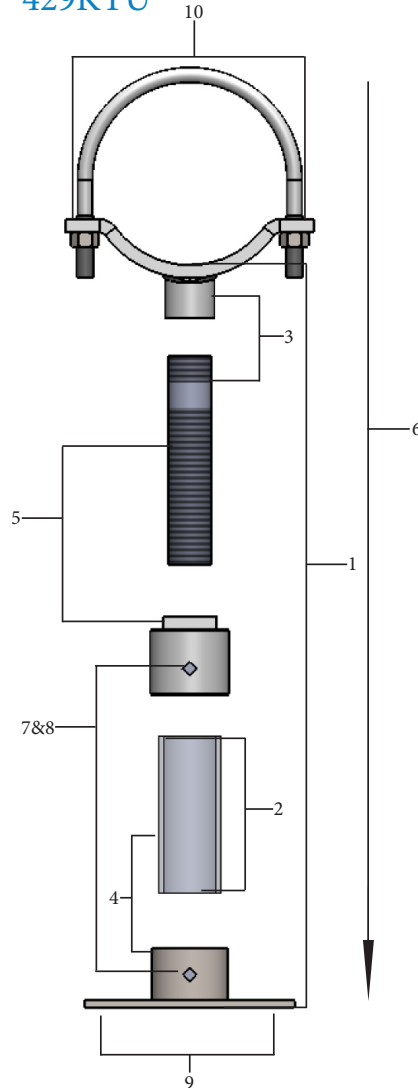


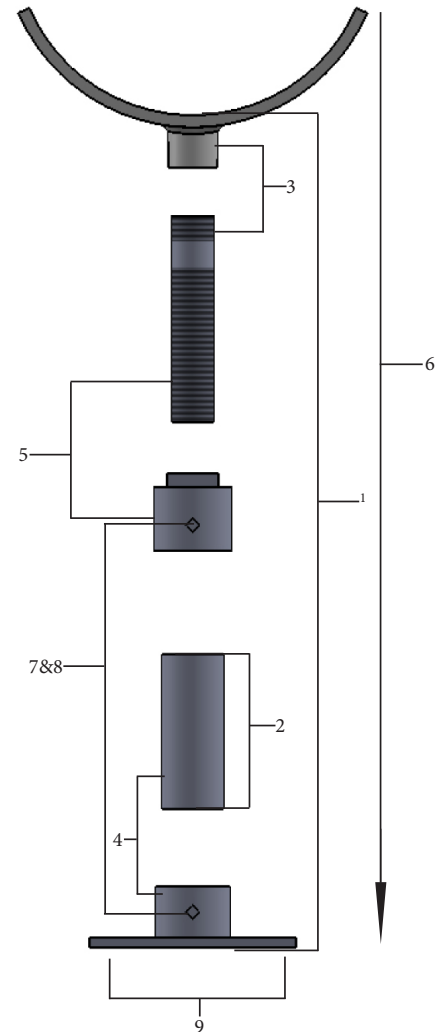
428KT



429KTU

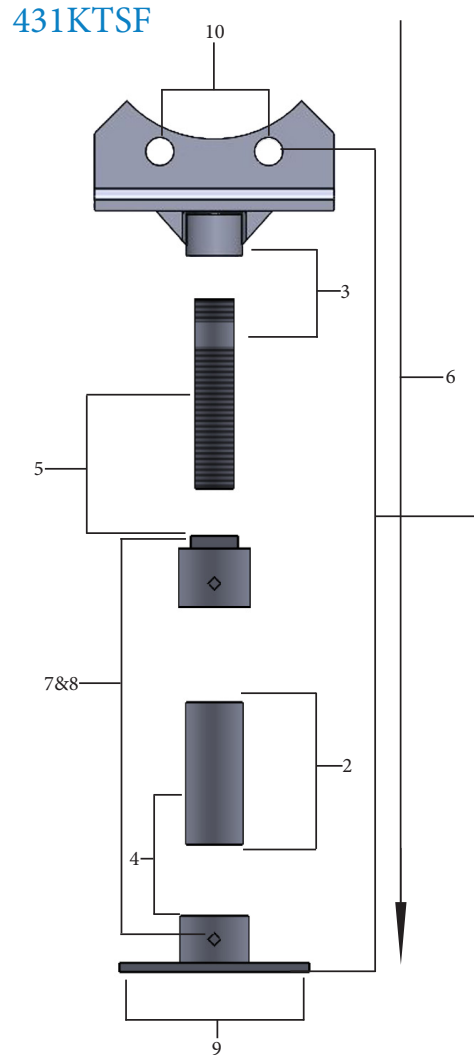


430KTSF



STEP BY STEP INSTALLATION

1	Measure the distance from the floor to the bottom of the supported pipe or flange.
2	Cut 2" Sched 40 pipe (3" Sched 40 for sizes 14" and 16") to 6" less than the measurement found in step 1.
3	Thread the saddle assembly onto the 1-1/4" threaded nipple.
4	Place the 2" (3" for sizes 14" and 16") extension pipe into the base stand coupling.
5	Secure the saddle assembly and reducing coupling with nipple onto the extension pipe. Turn the reducing coupling counter-clockwise until the pipe mates tightly into the saddle.
6	Verify that the complete support assembly is situated directly beneath the supported piping.
7	Welding the extension pipe to both the reducing and base stand coupling is optional.
8	Secure set-screws on both couplings by turning hand-tight plus 1/4 turn with crescent wrench or ratchet.
9	Secure base stand with 1/2" wedge anchors. Use 7/8" wedge anchors for sizes 14" and 16".
10	Place U-Bolt over pipe and secure into saddle assembly. (429KT only.)



STEP BY STEP INSTALLATION

1	Measure the distance from the floor to the bolts on the flange to be supported.
2	Cut 2" Sched 40 pipe to 6" less than the measurement found in step 1. This will be the extension pipe.
3	Thread the flange bracket assembly onto the 1-1/4" threaded nipple.
4	Place the 2" extension pipe into the base stand coupling.
5	Secure the flange bracket assembly and reducing coupling with nipple onto the extension pipe. Turn the reducing coupling counter-clockwise until the bracket bolt holes align with the flange bolt holes.
6	Verify that the complete support assembly is situated directly beneath the supported flange.
7	Welding the extension pipe to both the reducing and base stand coupling is optional but not necessary.
8	Secure set-screws on both couplings by turning hand-tight plus 1/4 turn with pliers.
9	Secure base stand with 1/2" wedge anchors. (not included)
10	Insert and tighten flange bolts to specified torque.