

Standard Weight Rigid Coupling with "C" Gasket Fig. 65SR & 66SR



Figure 65SR & 66SR Standard Weight Rigid couplings are designed for use in piping systems when rigid piping connections are desired. The angle-pad design allows the coupling housing to slide when tightened. This provides offset clamping that creates a rigid joint resistant to flexural and torsional loads.

- Maximum working pressure depending on coupling size and schedule of pipe:
 - 1" to 6" - 1000 psi (68.9 bar)
 - 8" - 800 psi (55.1 bar)
 - 10" & 12" - 600 psi (41.3 bar)
 - 14" to 20" - 300 psi (20.6 bar)
 - 24" - 250 psi (17.2 bar)
- UL Listed & FM Approved - 1" thru 12"
- All housings, gaskets and bolts identified by SCI logo
- Gaskets are Pre-Lubricated
- Gasket Grade E - EPDM (green stripe) -30°F (-34°C) to +230°F (+110°C)
- Gasket Grade T - Nitrile (orange stripe) -20°F (-29°C) to +180°F (+82°C)
- Gasket Grade O - Fluoroelastomer (blue stripe) +20°F (-6°C) to +300°F (+149°C)
- Ductile iron housings conform to ASTM A-536 Grade 65-45-12
- Groove dimensions to AWWA C-606
- Finishes: Orange enamel paint
 - Hot dipped galvanized conforming to ASTM A-153
- ASC Engineered Solutions™ Warranty only applies to assemblies made with housings, gaskets and bolts carrying the SCI logo

Material Specifications

Housing

Ductile Iron Housings conform to ASTM A-536, Grade 65-45-12

Coating

- Orange Paint (rust inhibiting) - Standard Coating - Fig. 65SR
- Hot Dipped Galvanized conforming to ASTM A-153 - Fig. 66SR

Coupling Gasket Style

- "C" Style - E-EPDM
- "C" Style - T-Nitrile
- "C" Style - O-Fluoroelastomer (Special Order)
- Triple Seal - E-EPDM Only (1 1/4" - 8" ONLY)
- Fig. 65SRTRI - Painted, Fig. 66SRTRI - Galvanized

Coupling Gasket Material

Pre-lubricated Grade E-EPDM (Green Stripe)
-30°F (-34°C) to +230°F (+110°C) Service Temperature Range

For use with water service, diluted acids, alkali solutions, oil-free air and other chemical services. NOT FOR PETROLEUM, STEAM, OR NATURAL GAS APPLICATIONS.

Grade T-Nitrile (Orange Stripe)
-20°F (-29°C) to +180°F (+82°C) Service Temperature Range

For use with petroleum applications, vegetable & mineral oils, and air with oil vapors. NOT FOR USE IN HOT WATER, STEAM, OR NATURAL GAS APPLICATIONS.

Grade O - Fluoroelastomer (Blue Stripe)
+20°F (-6°C) to +300°F (+149°C) Service Temperature Range

For high temperature resistance to oxidizing acids, petroleum oils, hydraulic fluids, halogenated hydrocarbons, and lubricants. (Special Order)

Nuts and Bolts

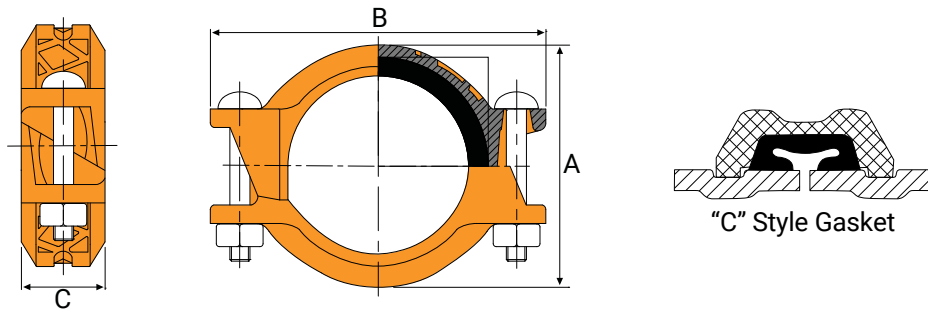
Zinc electroplated, heat treated, oval neck track head bolts conforming to ASTM-183 Grade 2 with a minimum tensile strength of 110,000 psi; Heavy hex nuts made of carbon steel conforming to ASTM A-563 Grade A or Grade B, or J995 Grade 2.

SCI track bolts are 100% magnetic particle inspected. The SCI logo appears on all COOPLOK™ track bolts.



PROJECT INFORMATION	APPROVAL STAMP
Project:	Approved
Address:	Approved as noted
Contractor:	Not approved
Engineer:	Remarks:
Submittal Date:	
Notes 1:	
Notes 2:	

Standard Weight Rigid Coupling with "C" Gasket Fig. 65SR & 66SR



Pipe Size in/mm	Part Number		Pipe OD in/mm	Max Pipe End Gap in/mm	Dimensions			Number of Sections	Case Qty	Weight lb/kg
	Painted	Galvanized			A in/mm	B in/mm	C in/mm			
1 25	65SR3010	66SR3010	1.315 33.7	1/16 1.6	2.34 59.5	3.94 100.0	1.73 44.0	2	26	1.3 0.6
1 1/4 32	65SR3012	66SR3012	1.660 42.2	1/16 1.6	2.74 69.5	4.25 108.0	1.85 47.0	2	32	1.6 0.7
1 1/2 40	65SR3014	66SR3014	1.900 48.3	1/16 1.6	2.97 75.5	4.49 114.0	1.85 47.0	2	32	1.7 0.8
2 50	65SR3020	66SR3020	2.375 60.3	1/16 1.6	3.48 88.5	4.88 124.0	1.89 48.0	2	24	2.2 1.0
2 1/2 65	65SR3024	66SR3024	2.875 73.0	1/16 1.6	4.00 101.5	4.79 147.0	1.89 48.0	2	16	2.8 1.3
3 80	65SR3030	66SR3030	3.500 88.9	1/16 1.6	4.59 116.5	6.38 162.0	1.89 48.0	2	16	3.2 1.4
4 100	65SR3040	66SR3040	4.500 114.3	1/8 3.2	5.87 149.0	7.72 196.0	2.09 53.0	2	10	5.0 2.2
5 125	65SR3050	66SR3050	5.563 141.3	1/8 3.2	6.95 176.5	9.29 236.0	2.09 53.0	2	6	6.7 3.0
6 150	65SR3060	66SR3060	6.625 168.3	1/8 3.2	8.15 207.0	10.55 268.0	2.09 53.0	2	5	8.1 3.7
8 200	65SR3080	66SR3080	8.625 219.1	1/8 3.2	10.24 260.0	13.23 336.0	2.56 65.0	2	—	14.3 6.5
10 250	65SR3100	66SR3100	10.750 273.0	1/8 3.2	12.71 323.0	15.82 402.0	2.56 65.0	2	—	20.7 9.4
12 300	65SR3120	66SR3120	12.750 323.9	1/8 3.2	14.92 379.0	18.03 458.0	2.56 65.0	2	—	25.4 11.5
14 350	65SR3140	66SR3140	14.000 355.6	1/8 3.2	16.02 407.0	19.45 494.0	2.87 73.0	3	—	33.5 15.2
16 400	65SR3160	66SR3160	16.000 406.4	1/8 3.2	18.03 458.0	21.50 546.0	2.87 73.0	3	—	36.9 16.7
18 450	65SR3180	66SR3180	18.000 457.6	1/8 3.2	20.16 512.0	23.46 596.0	2.99 76.0	3	—	39.4 17.9
20 500	65SR3200	66SR3200	20.000 508.0	1/8 3.2	22.13 562.0	26.06 662.0	3.07 78.0	4	—	53.9 24.5
24 600	65SR3240	66SR3240	24.000 609.6	1/8 3.2	26.14 664.0	30.08 764.0	3.07 78.0	4	—	69.0 31.3



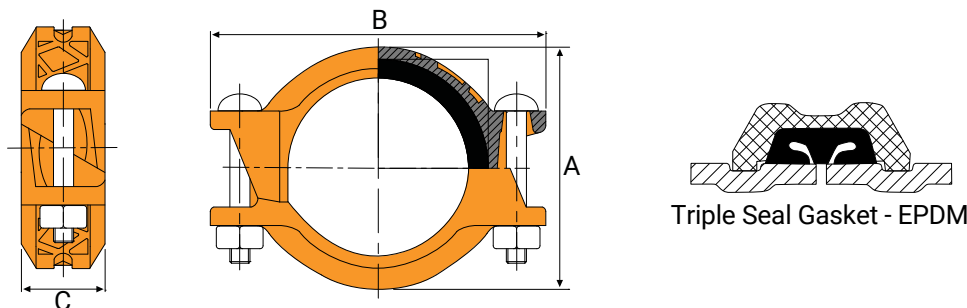
asc-es.com

Building connections that last™

Standard Weight Rigid Coupling with Triple Seal Gasket

Fig. 65SRTRI & 66SRTRI

- Maximum working pressure depending on coupling size and schedule of pipe:
 - 1" to 6" - 1000 psi (68.9 bar)
 - 8" - 800 psi (55.1 bar)
- All housings, gaskets and bolts identified by SCI logo
- Gasket Grade E - EPDM (green stripe) -30°F (-34°C) to +230°F (+110°C)
- Other gasket materials available by special order
- Ductile iron housings conform to ASTM A-536 Grade 65-45-12
- Groove dimensions to AWWA C-606
- Finishes:
 - Orange enamel paint
 - Hot dipped galvanized conforming to ASTM A-153
- ASC Engineered Solutions™ Warranty only applies to assemblies made with housings, gaskets and bolts carrying the SCI logo



Pipe Size in/mm	Part Number		Pipe OD in/mm	Max Pipe End Gap in/mm	Dimensions			Number of Sections	Case Qty	Weight lb/kg
	Painted	Galvanized			A in/mm	B in/mm	C in/mm			
1/4 32	65SRTRI3012	66SRTRI3012	1.660 42.2	1/16 1.6	2.74 69.5	4.25 108.0	1.85 47.0	2	32	1.6 0.7
1/2 40	65SRTRI3014	66SRTRI3014	1.900 48.3	1/16 1.6	2.97 75.5	4.49 114.0	1.85 47.0	2	32	1.7 0.8
2 50	65SRTRI3020	66SRTRI3020	2.375 60.3	1/16 1.6	3.48 88.5	4.88 124.0	1.89 48.0	2	24	2.2 1.0
2 1/2 65	65SRTRI3024	66SRTRI3024	2.875 73.0	1/16 1.6	4.00 101.5	4.79 147.0	1.89 48.0	2	16	2.8 1.3
3 80	65SRTRI3030	66SRTRI3030	3.500 88.9	1/16 1.6	4.59 116.5	6.38 162.0	1.89 48.0	2	16	3.2 1.5



asc-es.com

Building connections that last™

Standard Weight Rigid Coupling with Triple Seal Gasket

Fig. 65SRTRI & 66SRTRI

Pipe Size in/mm	Part Number		Pipe OD in/mm	Max Pipe End Gap in/mm	Dimensions			Number of Sections	Case Qty	Weight lb/kg
	Painted	Galvanized			A in/mm	B in/mm	C in/mm			
4 100	65SRTRI3040	66SRTRI3040	4.500 114.3	1/8 3.2	5.87 149.0	7.72 196.0	2.09 53.0	2	10	5.0 2.3
5 125	65SRTRI3050	66SRTRI3050	5.563 141.3	1/8 3.2	6.95 176.5	9.29 236.0	2.09 53.0	2	6	6.7 3.0
6 150	65SRTRI3060	66SRTRI3060	6.625 168.3	1/8 3.2	8.15 207.0	10.55 268.0	2.09 53.0	2	5	8.1 3.7
8 200	65SRTRI3080	66SRTRI3080	8.625 219.1	1/8 3.2	10.24 260.0	13.23 336.0	2.56 65.0	2	—	14.3 6.5

Please see complete installation instructions at www.asc-es.com for important guidelines and limitations on the use and applications of COOPLOK™ Grooved Couplings and Fittings.