

Chicago Valves & Controls



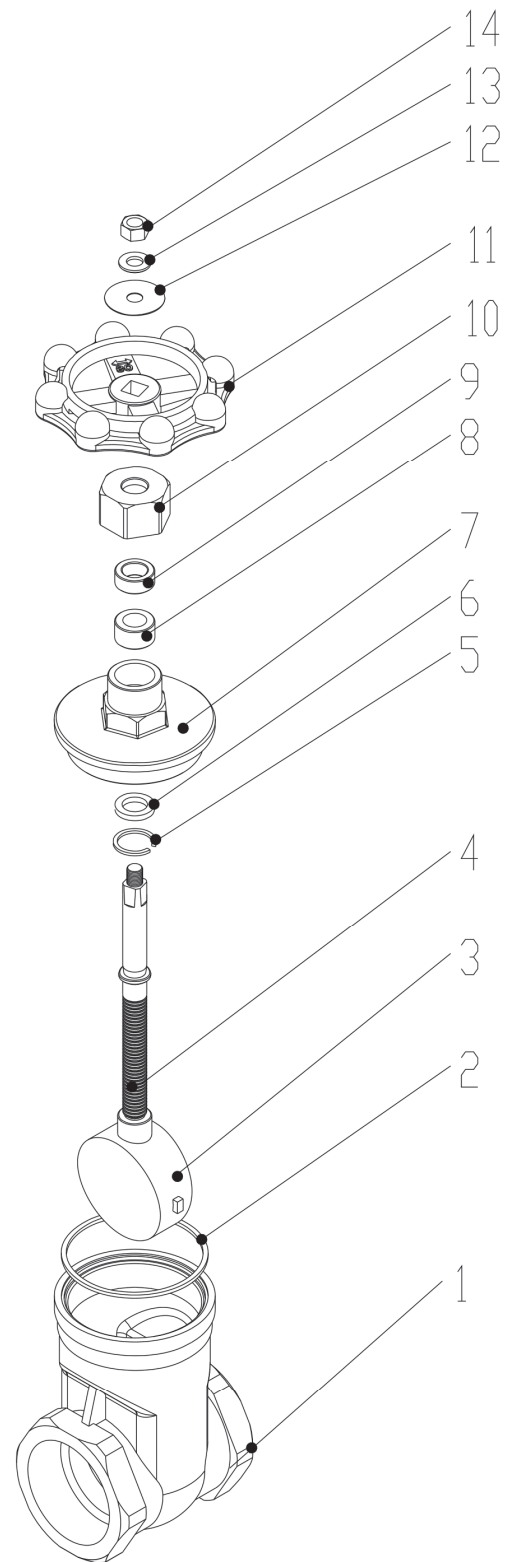
STAINLESS STEEL

200 WOG

GATE, GLOBE & CHECK

200 WOG @ 350°F
 316 STAINLESS STEEL - A351 CF8M
 NON-RISING STEM
 SOLID WEDGE DISC
 SCREWED BONNET
 THREADED (NPT) OR SOCKET WELD ENDS
 316 STAINLESS STEEL SEATS
 ADJUSTABLE PACKING

Series 226



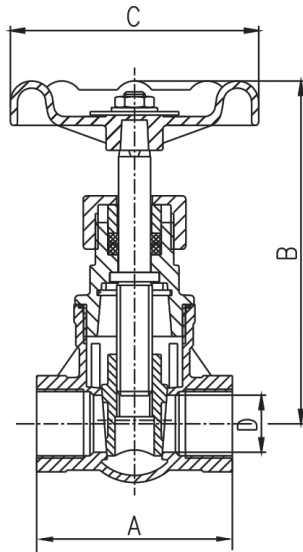
PARTS AND MATERIAL

PART NO.	PART NAME	QTY.	MATERIAL
1	Body	1	316 Stainless Steel ASTM A351 CF8M
2	Seal	1	PTFE
3	Disc	1	316 Stainless Steel ASTM A351 CF8M
4	Stem	1	316 Stainless Steel
5	Retaining Ring	1	316 Stainless Steel
6	Washer	1	316 Stainless Steel
7	Bonnet	1	316 Stainless Steel ASTM A351 CF8M
8	Packing	1	PTFE
9	Gland Packing	1	304 Stainless Steel
10	Packing Nut	1	304 Stainless Steel
11	Hand Wheel	1	Aluminum
12	Nameplate	1	Aluminum
13	Handlewheel Washer	1	304 Stainless Steel
14	Handlewheel Nut	1	304 Stainless Steel

SIZE	CV (GPM)	WEIGHT (LBS)
1/2"	17.6	0.95
3/4"	32	1.23
1"	54	1.65
1-1/4"	97	2.56
1-1/2"	135	3.70
2"	230	5.16

STAINLESS STEEL THREAD END GATE VALVE

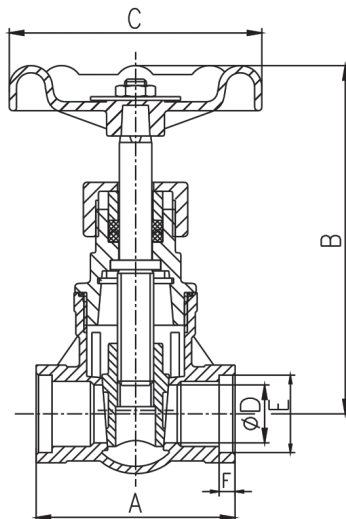
DIMENSIONS (INCHES)



SIZE	A	B	C	D
1/2"	2.20	3.80	2.76	0.59
3/4"	2.36	4.06	2.76	0.79
1"	2.68	4.43	2.76	0.98
1-1/4"	3.03	5.16	3.15	1.26
1-1/2"	3.15	6.26	3.94	1.59
2"	3.66	6.93	3.94	1.97
2-1/2"	4.61	8.39	4.53	2.48
3"	5.16	9.09	4.53	2.95

STAINLESS STEEL SOCKET END GATE VALVE

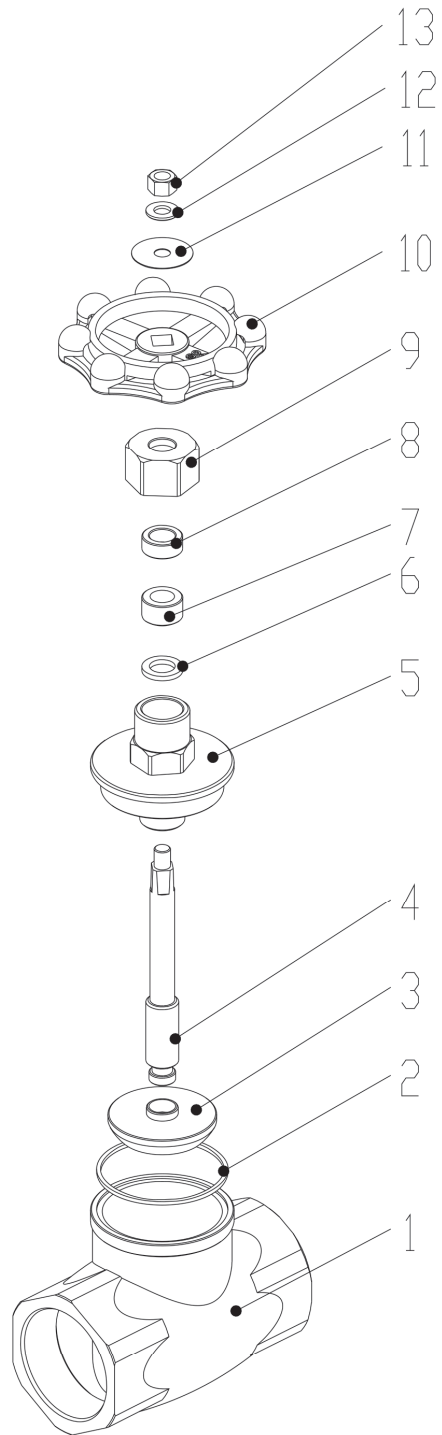
DIMENSIONS (INCHES)



SIZE	A	B	C	D	E	F
1/2"	2.20	3.80	2.76	0.59	0.85	0.37
3/4"	2.36	4.06	2.76	0.79	1.07	0.49
1"	2.68	4.43	2.76	0.98	1.33	0.49
1-1/4"	3.03	5.16	3.15	1.26	1.68	0.49
1-1/2"	3.15	6.26	3.94	1.59	1.92	0.49
2"	3.66	6.93	3.94	1.97	2.41	0.63
2-1/2"	4.61	8.39	4.53	2.48	2.91	0.63
3"	5.16	9.09	4.53	2.95	3.54	0.63

200 WOG @ 350°F
 316 STAINLESS STEEL - A351 CF8M
 RISING STEM
 SCREWED BONNET
 CONICAL SEAT DESIGN
 316 STAINLESS STEEL SEATS
 ADJUSTABLE PACKING
 THREADED (NPT) OR SOCKET WELD ENDS

Series 326



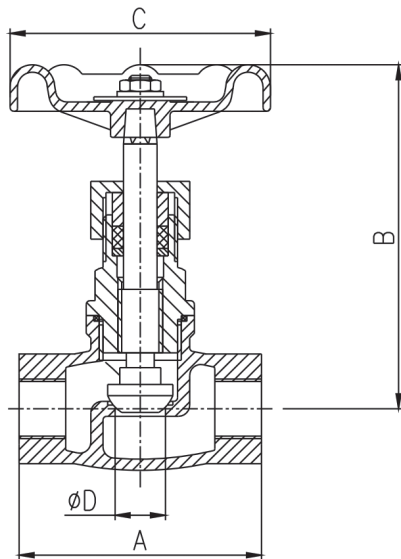
PARTS AND MATERIAL

PART NO.	PART NAME	QTY.	MATERIAL
1	Body	1	316 Stainless Steel ASTM A351 CF8M
2	Seal	1	PTFE
3	Disc	1	316 Stainless Steel ASTM A351 CF8M
4	Stem	1	316 Stainless Steel
5	Bonnet	1	316 Stainless Steel ASTM A351 CF8M
6	Packing Washer	1	316 Stainless Steel
7	Packing	1	PTFE
8	Gland Packing	1	304 Stainless Steel
9	Packing Nut	1	304 Stainless Steel
10	Hand Wheel	1	Aluminum
11	Nameplate	1	Aluminum
12	Handwheel Washer	1	304 Stainless Steel
13	Handwheel Nut	1	304 Stainless Steel

Series 326

SIZE	CV (GPM)	WEIGHT (LBS)
1/2"	3.8	0.99
3/4"	7	1.46
1"	11	1.87
1-1/4"	21	2.65
1-1/2"	29	3.97
2"	50	5.58

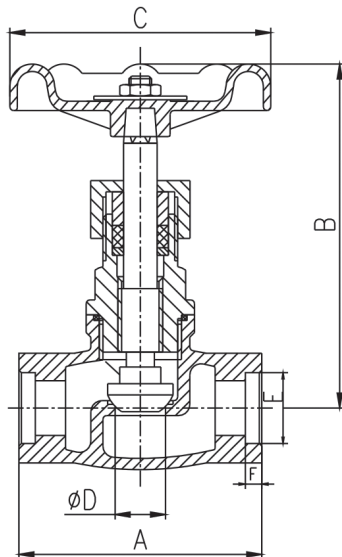
STAINLESS STEEL THREAD END GLOBE VALVE



DIMENSIONS (INCHES)

SIZE	A	B	C	D
1/4"	2.56	3.58	2.76	0.59
3/8"	2.56	3.58	2.76	0.59
1/2"	2.56	3.58	2.76	0.59
3/4"	2.95	3.70	2.76	0.79
1"	3.54	4.13	3.15	0.98
1-1/4"	4.17	4.53	3.15	1.26
1-1/2"	4.72	5.39	3.94	1.57
2"	5.55	5.83	3.94	1.97

STAINLESS STEEL SOCKET END GLOBE VALVE

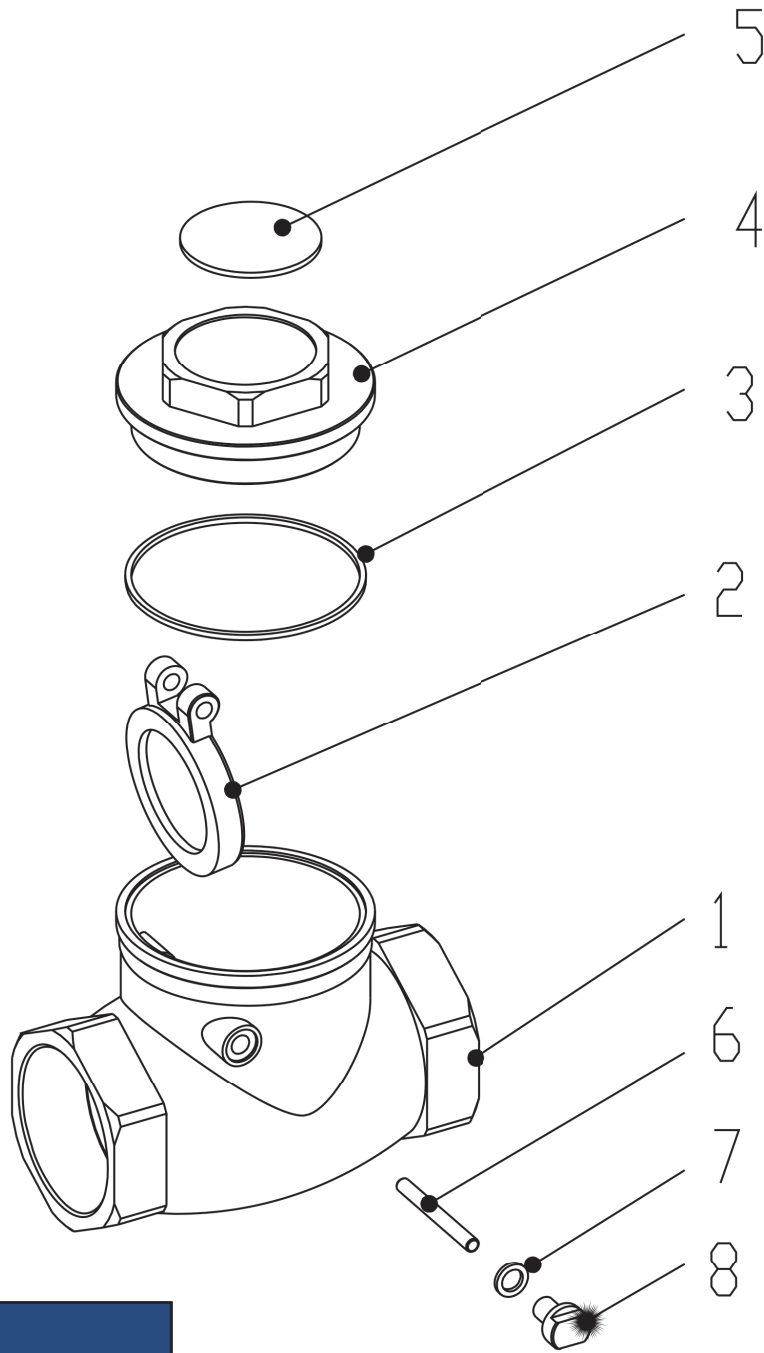


DIMENSIONS (INCHES)

SIZE	A	B	C	D	E	F
1/4"	2.56	3.58	2.76	0.59	0.56	0.37
3/8"	2.56	3.58	2.76	0.59	0.69	0.37
1/2"	2.56	3.58	2.76	0.59	0.85	0.37
3/4"	2.95	3.70	2.76	0.79	1.07	0.49
1"	3.54	4.13	3.15	0.98	1.33	0.49
1-1/4"	4.17	4.53	3.15	1.26	1.68	0.49
1-1/2"	4.72	5.39	3.94	1.57	1.92	0.49
2"	5.55	5.83	3.94	1.97	2.41	0.63

200 WOG @ 350°F
 316 STAINLESS STEEL - A351 CF8M
 316 STAINLESS STEEL SEAT
 SOLID ONE PIECE DISC
 SCREWED COVER
 THREADED (NPT) OR SOCKET WELD ENDS

Series 426



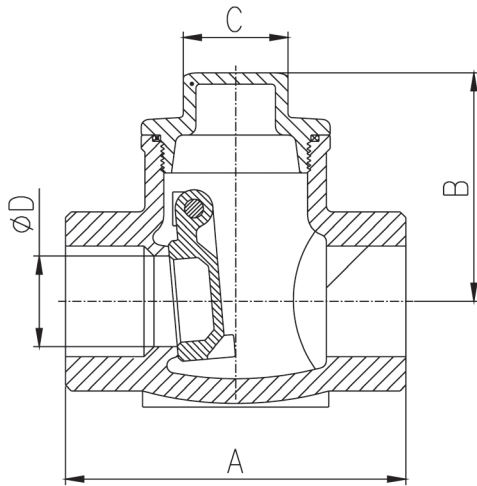
PARTS AND MATERIAL

PART NO.	PART NAME	QTY.	MATERIAL
1	Body	1	316 Stainless Steel ASTM A351 CF8M
2	Disc	1	316 Stainless Steel ASTM A351 CF8M
3	Seal	1	PTFE
4	Bonnet	1	316 Stainless Steel ASTM A351 CF8M
5	Nameplate	1	Aluminum
6	Hing Pin	1	316 Stainless Steel
7	Screw Plug Washer	1	PTFE
8	Screw Plug	1	316 Stainless Steel

Series 426

SIZE	CV (GPM)	WEIGHT (LBS)
1/4"	4.2	0.66
3/8"	5.5	0.77
1/2"	7	0.73
3/4"	16	1.12
1"	30	1.76
1-1/4"	49	2.54
1-1/2"	72	3.31
2"	130	5.03
2-1/2"	280	8.82
3"	390	12.79

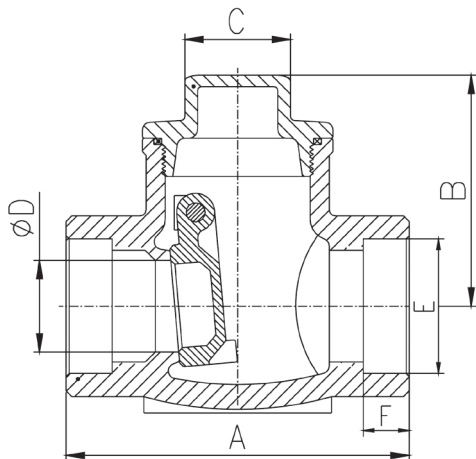
STAINLESS STEEL THREAD END SWING CHECK VALVE



DIMENSIONS (INCHES)

SIZE	A	B	C	D
1/4"	2.56	1.87	0.94	0.43
3/8"	2.56	1.87	0.94	0.45
1/2"	2.56	1.87	0.94	0.59
3/4"	2.95	2.09	1.10	0.79
1"	3.54	2.26	1.42	0.96
1-1/4"	4.13	2.76	1.57	1.26
1-1/2"	4.72	2.91	1.97	1.57
2"	5.47	3.21	2.17	1.89
2-1/2"	6.14	3.56	2.95	2.52
3"	7.36	3.96	3.35	2.99

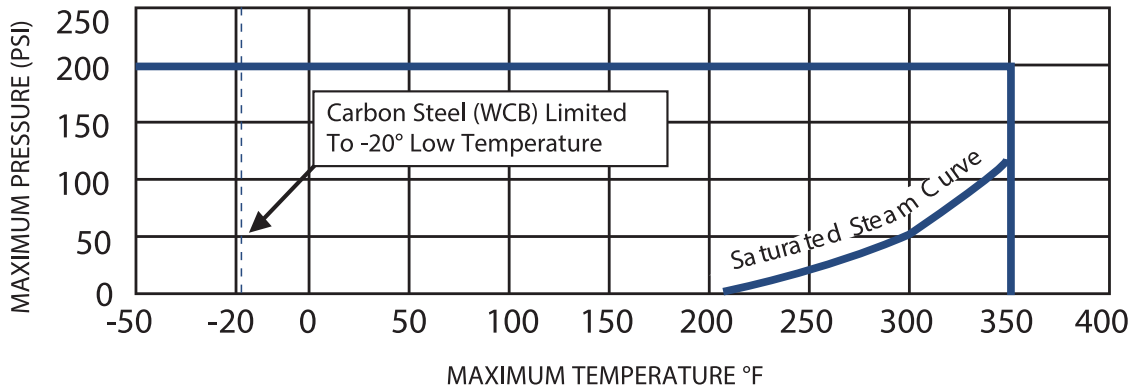
STAINLESS STEEL SOCKET END SWING CHECK VALVE



DIMENSIONS (INCHES)

SIZE	A	B	C	D	E	F
1/4"	2.56	1.87	0.94	0.43	0.56	0.37
3/8"	2.56	1.87	0.94	0.45	0.69	0.37
1/2"	2.56	1.87	0.94	0.59	0.85	0.37
3/4"	2.95	2.09	1.10	0.79	1.07	0.49
1"	3.54	2.26	1.42	0.96	1.33	0.49
1-1/4"	4.13	2.76	1.57	1.26	1.68	0.49
1-1/2"	4.72	2.91	1.97	1.57	1.92	0.49
2"	5.47	3.21	2.17	1.89	2.41	0.63
2-1/2"	6.14	3.56	2.95	2.52	2.91	0.63
3"	7.36	3.96	3.35	2.99	3.54	0.63

PRESSURE-TEMPERATURE RATINGS SERIES 226, 326, 426



APPLICABLE STANDARDS

SHELL TEST	API 598
SEAT TEST	API 598
THREADED ENDS	ASME B1.20.1
SOCKET WELD ENDS	ASME B16.11

HOW TO ORDER

1"
Size

SIZE	
1/4"	1 1/4"
3/8"	1 1/2"
1/2"	2"
3/4"	2 1/2"
1"	3"

226
Series

SERIES	
226	Gate
326	Globe
426	Check

6
Body

6	316 Stainless Steel
---	---------------------

SW
Ends

ENDS	
TE	Threaded Ends
SW	Socket Weld Ends
T/S	Threaded / Socket Weld



Toll-Free (833) 831-2312
 Local (312) 637-3557
 Fax: (312) 637-3543
 E-Mail: sales@chicagovalves.com
www.chicagovalves.com
 885 Cambridge Dr.
 Elk Grove Village, Illinois 60007 U.S.A.