

# Chicago Valves & Controls

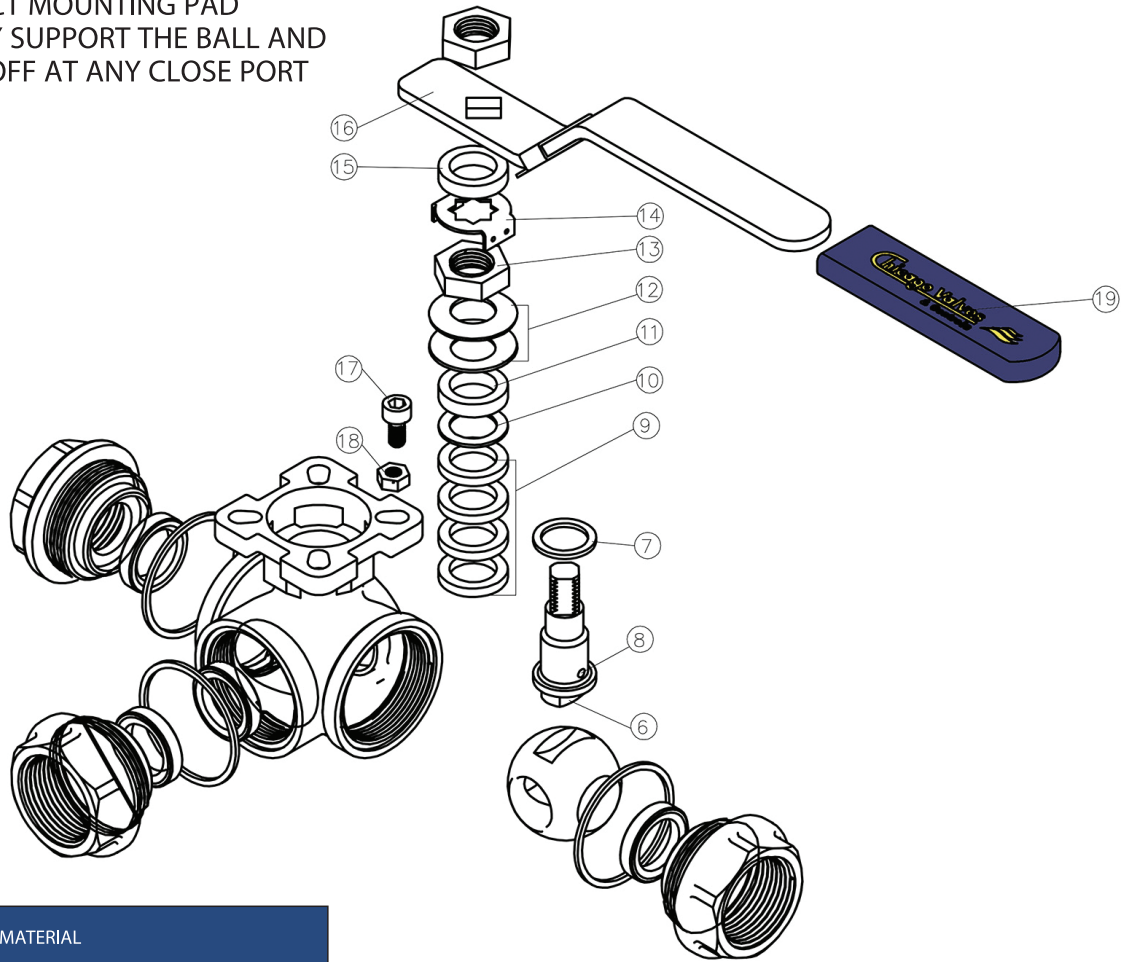


**SERIES 16**

**3 WAY BALL VALVE**

316 STAINLESS STEEL ASTM A351 CF8M  
 LIVE LOADED STEM PACKING  
 BLOW OUT PROOF STEM  
 AVAILABLE IN T OR L PORT CONFIGURATION  
 LOCKABLE HANDLE  
 ISO 5211 INTEGRAL DIRECT MOUNTING PAD  
 4 SEAT DESIGN SECURELY SUPPORT THE BALL AND  
 PROVIDE POSITIVE SHUTOFF AT ANY CLOSE PORT  
 ANTI-STATIC DESIGN

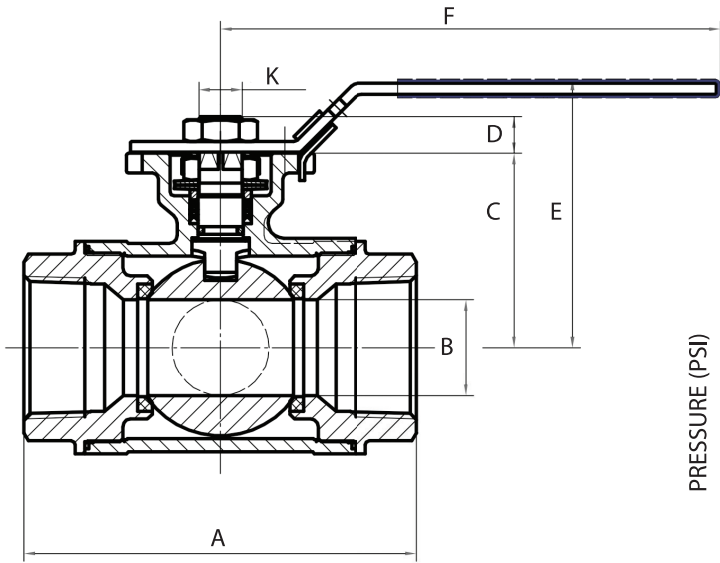
Series 16



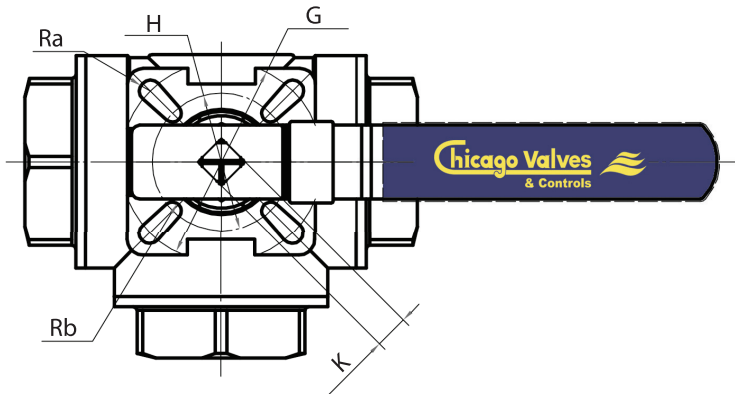
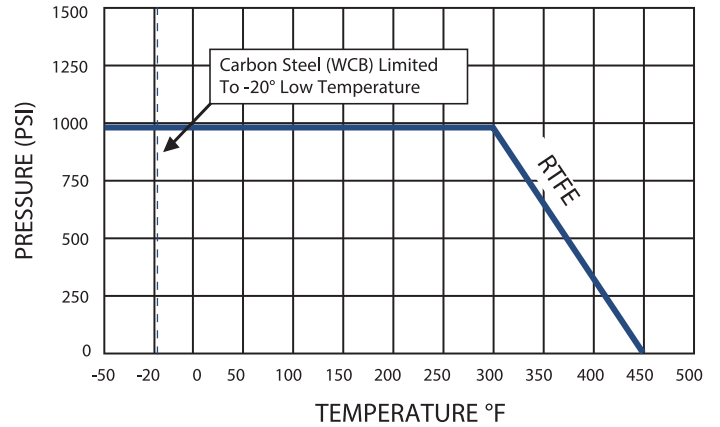
PARTS & MATERIAL

PART NO.	PART NAME	QTY.	MATERIAL
1	Body	1	316 Stainless Steel ASTM A351 CF8M
2	End Piece	3	316 Stainless Steel ASTM A351 CF8M
3	Seat	4	RTFE
4	Ball	1	316 Stainless Steel
5	Body Seal	3	PTFE
6	Stem	1	316 Stainless Steel
7	Thrust Washer	1	Carbon Fill RPTFE
8	O-Ring	1	FPM
9	Stem Packing	4	PTFE
10	Thrust Bearing	1	RPTFE
11	Gland Packing	1	304 Stainless Steel
12	Belleville Washer	2	300 Series Stainless Steel
13	Packing Nut	1	300 Series Stainless Steel
14	Lock Tab	1	300 Series Stainless Steel
15	Washer	1	300 Series Stainless Steel
16	Handle	1	300 Series Stainless Steel
17	Travel Stop	1	300 Series Stainless Steel
18	Nut	1	300 Series Stainless Steel
19	Handle Sleeve	1	PVC

# Series 16



**PRESSURE-TEMPERATURE RATINGS SERIES 16**

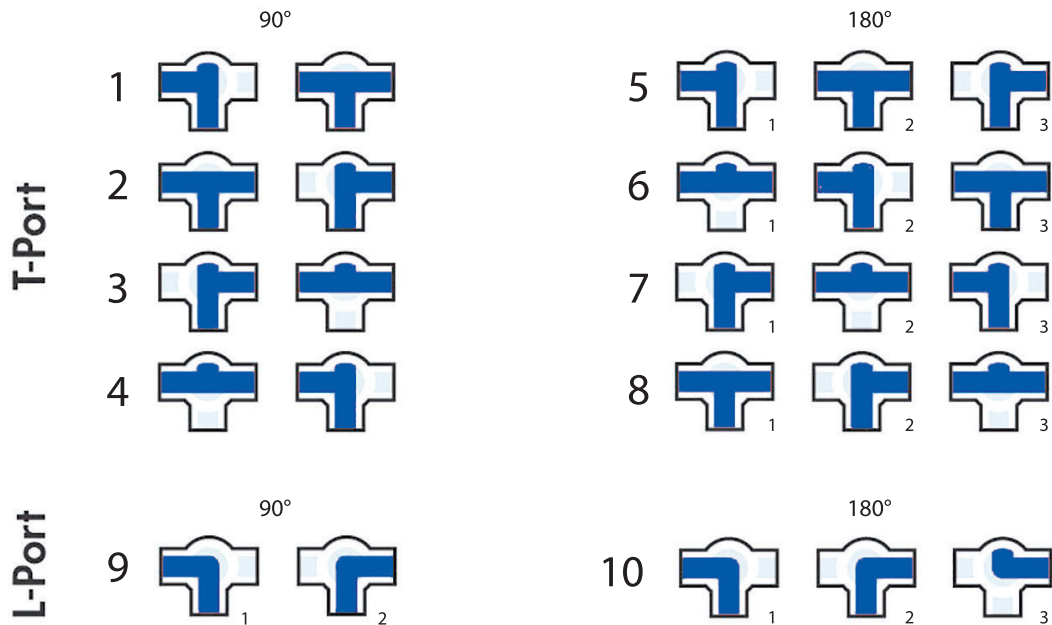


SIZE	L PORT	T PORT
1/4"	3	5
3/8"	3	6
1/2"	4	8
3/4"	7	13
1"	12	22
1 1/4"	20	35
1 1/2"	34	59
2"	51	88

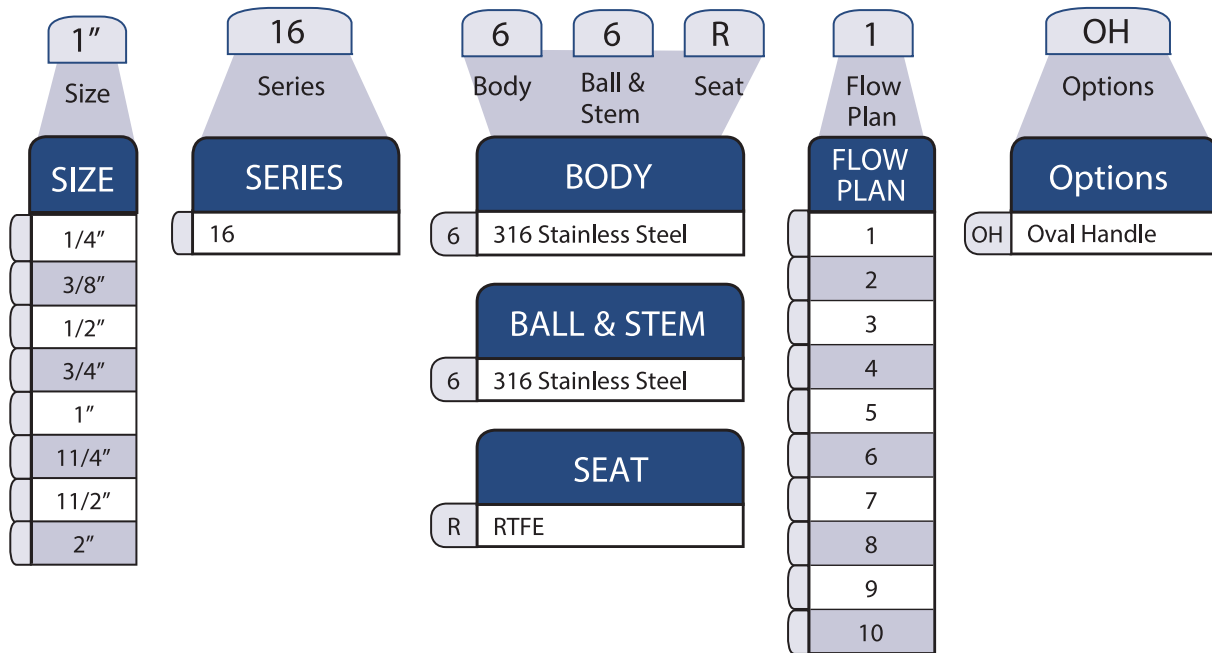
**DIMENSIONS (INCHES)**

SIZE	A	B	C	D	E	F	K	G	H	Ra	Rb
1/4"	2.81	0.39	1.34	0.35	2.44	4.92	0.35X0.35	1.65	1.47	0.12	0.12
3/8"	2.81	0.39	1.34	0.35	2.44	4.92	0.35X0.35	1.65	1.47	0.12	0.12
1/2"	2.81	0.39	1.34	0.35	2.44	4.92	0.35X0.35	1.65	1.47	0.12	0.12
3/4"	3.29	0.59	1.65	0.35	2.76	4.92	0.35X0.35	1.65	1.47	0.12	0.12
1"	3.54	0.71	2.05	0.35	3.23	5.51	0.35X0.35	1.97	1.65	0.14	0.12
1 1/4"	4.57	0.98	2.28	0.43	3.47	5.51	0.43X0.43	1.97	1.65	0.14	0.14
1 1/2"	5.24	1.26	2.64	0.55	3.82	7.09	0.55X0.55	2.76	1.97	0.18	0.14
2"	5.75	1.58	3.07	0.55	2.25	7.09	0.55X0.55	2.76	1.97	0.18	0.14

# FLOW CHART



## HOW TO ORDER



**Chicago Valves**  
& Controls



Toll-Free (833) 831-2312

Local (312) 637-3557

Fax: (312) 637-3543

E-Mail: [sales@chicagovalves.com](mailto:sales@chicagovalves.com)

[www.chicagovalves.com](http://www.chicagovalves.com)

885 Cambridge Dr.

Elk Grove Village, Illinois 60007 U.S.A.