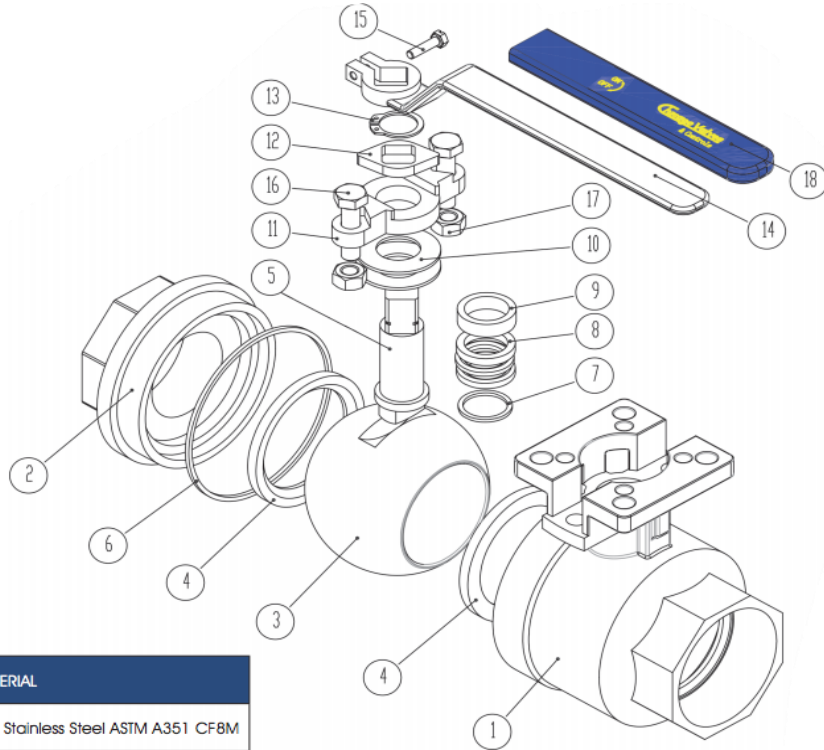


## Two-Piece Full Port Ball Valve Direct Mount – DMA Series 25



### PARTS & MATERIAL

PART NO.	PART NAME	QTY.	MATERIAL
1	Body	1	316 Stainless Steel ASTM A351 CF8M
2	End Piece	1	316 Stainless Steel ASTM A351 CF8M
3	Ball	1	316 Stainless Steel
4	Seat	2	RPTFE
5	Stem	1	316 Stainless Steel
6	Body Seal	1	PTFE
7	Thrust Washer	1	Carbon Fill PTFE
8	Stem Packing	3	PTFE
9	Gland	1	304 Stainless Steel
10	Belleville Washer	2	300 Stainless Steel
11	Gland Flange	1	304 Stainless Steel
12	Travel Stopper	1	304 Stainless Steel
13	Snap Ring	1	300 Stainless Steel
14	Handle	1	304 Stainless Steel
15	Bolt	1	300 Stainless Steel
16	Gland Bolt	2	300 Stainless Steel
17	Nut	2	300 Stainless Steel
18	Handle Sleeve	1	PVC

## **Installation:**

These valves may be installed in the pipeline in any orientation or position, using good piping practice. For threaded end valves, use a suitable joint compound or TFE tape on pipe thread for ease of fit-up. Tightening the stem nut is easiest with the valve in the closed position. The stem must be held in position while stem nut adjustments are made. This can be done by holding the handle or putting a wrench on the stem flats, or using the actuator to position the valve.

## **Operation:**

These are quarter turn (90° rotation) ball valves, and are normally fitted with a latching lever handle. The handles also contain travel stop tabs at the open and closed positions. To open the valve, lift the latch/lock and turn the handle clockwise.

## **Maintenance:**

----WARNING----  
**Do not attempt to perform  
maintenance on valves in  
pressurized lines.**

## **STEM SEAL ADJUSTMENT:**

The stem nut can be tightened to compress the stem packing without removing any actuation devices. This adjustment should not be required frequently because of the live loading of the stem packing by Belleville springs between the gland flange and the metal Gland Packing ring.

If the gland flange turns very easily, the Belleville springs are likely not compressed. Tighten the gland flange nuts until it feels snug, and the belleville springs appear flat.

If these adjustments do not eliminate the stem seal leakage, then replace the stem packing.