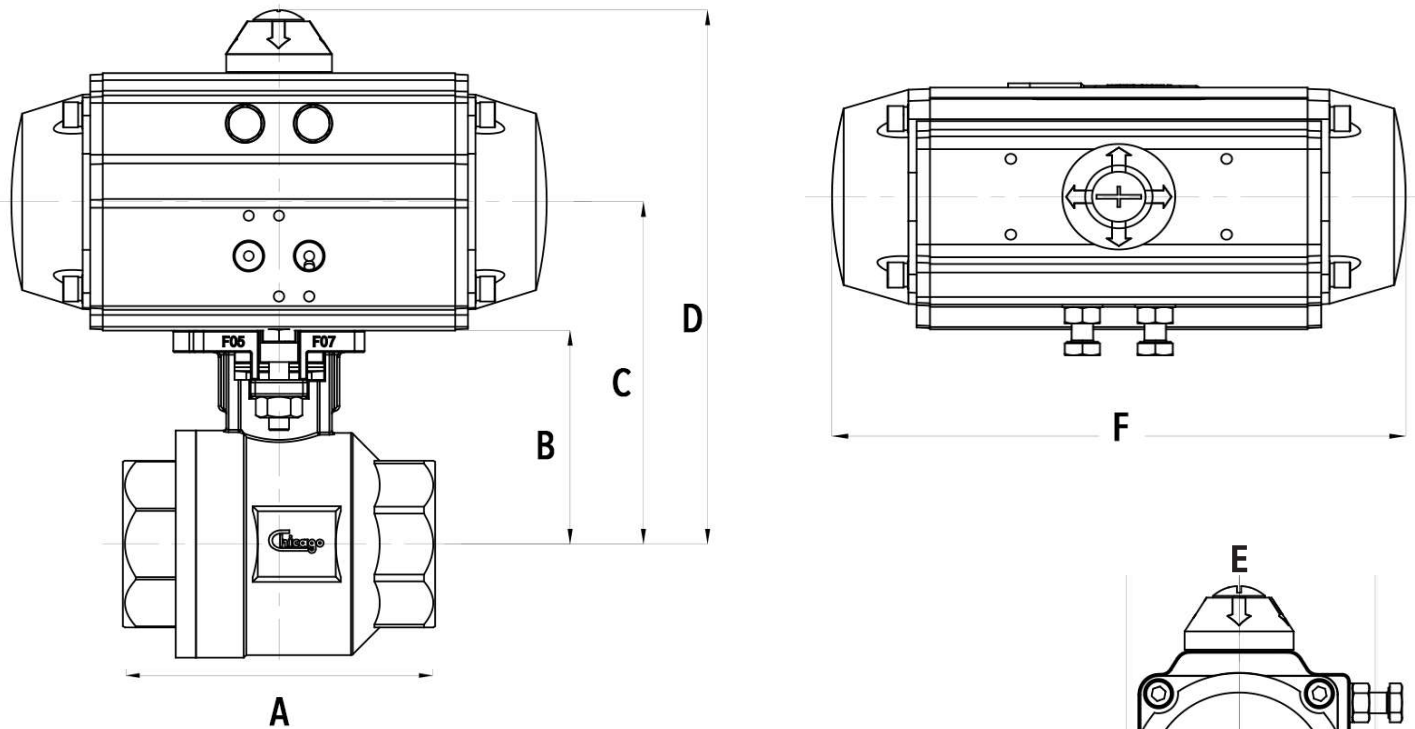


# AUTOMATED BALL VALVES DIMENSIONS

SERIES 25 AND CXL ACTUATOR, DOUBLE ACTING & SPRING RETURN - 60 PSI AIR SUPPLY

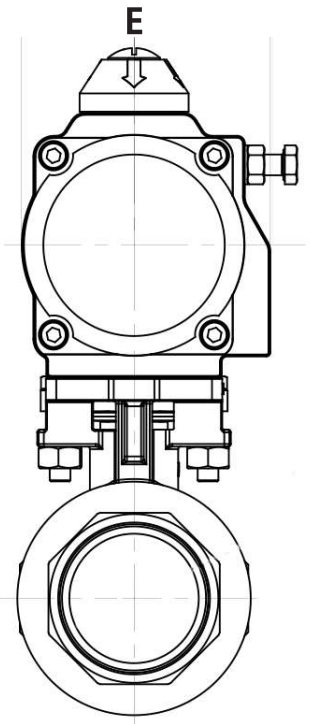


## DOUBLE ACTING

	A	B	C	D	E	F	ACTUATOR MODEL
1/2"	2.28	1.44	2.80	5.06	2.75	5.83	050
3/4"	2.64	1.69	3.37	5.94	3.27	6.26	063
1"	3.07	2.17	3.84	6.42	3.27	6.26	063
1 1/4"	3.54	2.40	4.05	6.61	3.27	6.26	063
1 1/2"	4.09	2.95	4.96	7.87	3.82	8.39	075
2"	4.69	3.35	5.35	8.27	3.82	8.39	075
3"	7.00	5.16	7.66	11.10	4.80	10.67	100

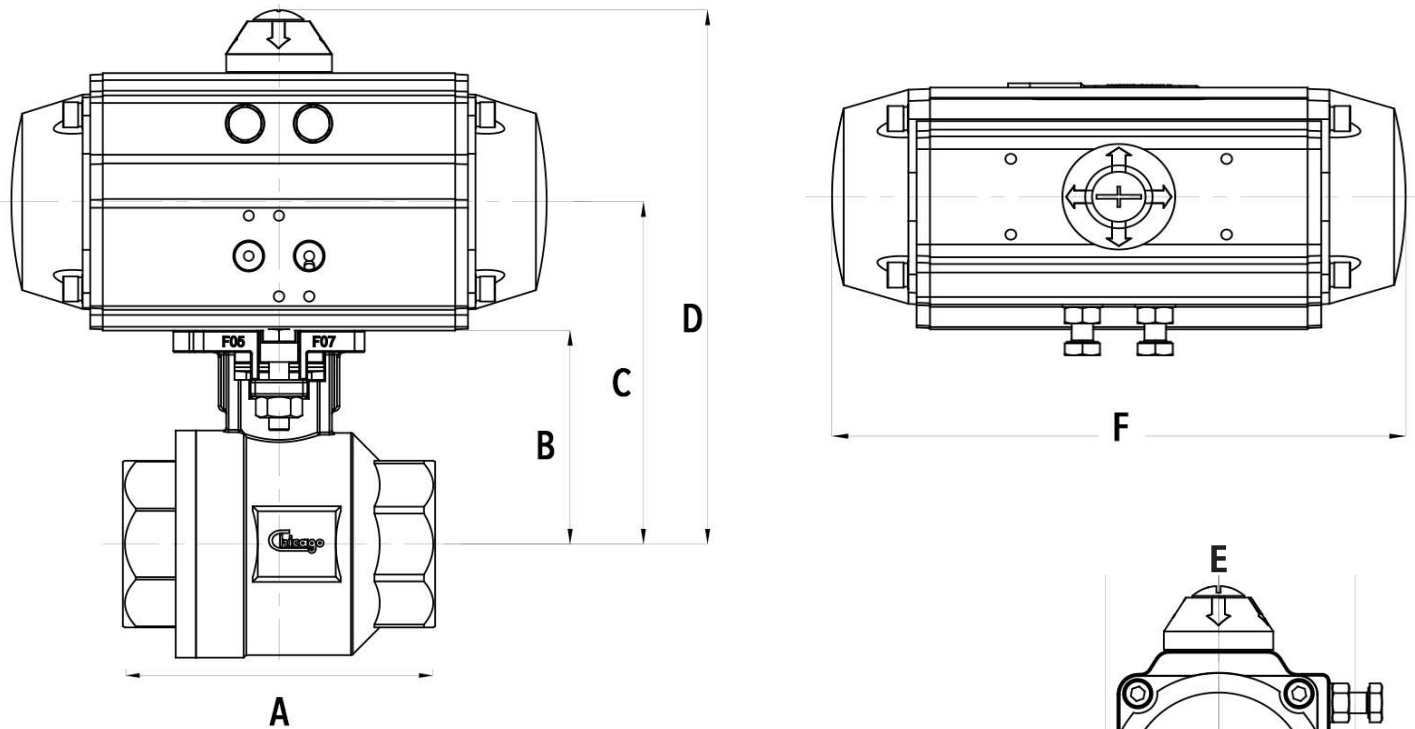
## SPRING RETURN

	A	B	C	D	E	F	ACTUATOR MODEL
1/2"	2.28	1.44	2.80	5.06	2.73	5.80	050
3/4"	2.64	1.69	3.37	5.94	3.35	6.26	063
1"	3.07	2.17	4.18	7.09	3.78	8.39	075
1 1/4"	3.54	2.40	4.41	7.87	3.78	8.39	075
1 1/2"	4.09	2.95	5.22	8.38	4.13	9.80	085
2"	4.69	3.35	5.62	8.78	4.13	9.80	085
3"	7.00	5.16	8.01	12.44	5.55	12.40	115



# AUTOMATED BALL VALVES DIMENSIONS

SERIES 25 AND CXL ACTUATOR, DOUBLE ACTING & SPRING RETURN - 80 PSI AIR SUPPLY



## DOUBLE ACTING

	A	B	C	D	E	F	ACTUATOR MODEL
1/2"	2.28	1.44	2.80	5.06	2.75	5.83	050
3/4"	2.64	1.69	3.03	5.27	3.75	5.83	050
1"	3.07	2.17	3.84	6.42	3.35	6.26	063
1 1/4"	3.54	2.40	4.07	6.65	3.35	6.26	063
1 1/2"	4.09	2.95	4.96	7.87	3.78	8.39	075
2"	4.69	3.35	5.35	8.27	3.78	8.39	075
3"	7.00	5.16	7.43	10.59	4.13	9.80	085

## SPRING RETURN

	A	B	C	D	E	F	ACTUATOR MODEL
1/2"	2.28	1.44	2.80	5.06	2.73	5.80	050
3/4"	2.64	1.69	3.37	5.94	3.35	6.26	063
1"	3.07	2.17	3.84	6.42	3.35	6.26	063
1 1/4"	3.54	2.40	4.41	7.32	3.78	8.39	075
1 1/2"	4.09	2.95	4.96	7.87	3.78	8.39	075
2"	4.69	3.35	5.62	8.78	4.13	9.80	085
3"	7.00	5.16	8.01	12.44	5.55	12.40	115