

Building connections that last™

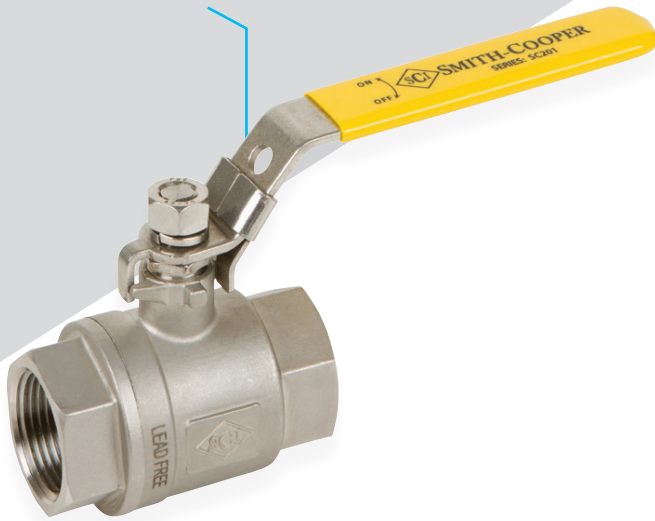


Series SC201

Two-Piece 316 Stainless
Ball Valve Datasheet



Two-Piece 316 Stainless Ball Valve Series SC201

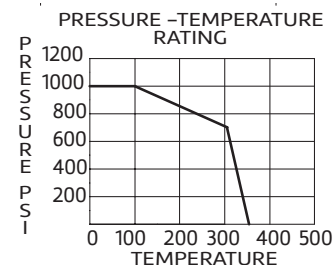
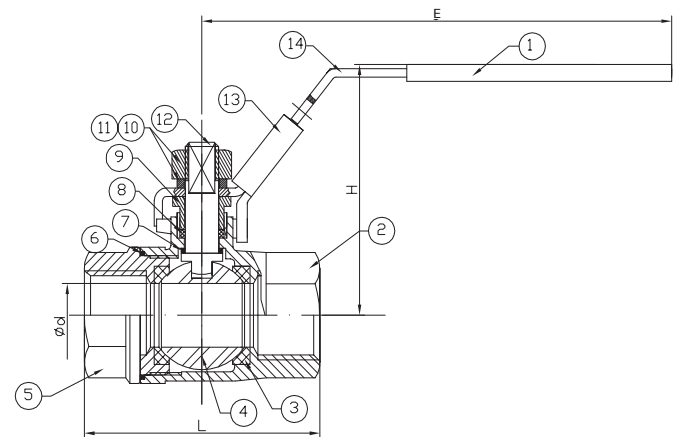


Design Features

- 1000# CWP, 150# WSP
- Full Port
- Body/Ball: ASTM A351 GR CF8M (SS316)
- Stem: ASTM A276 T-316
- RTFE Seats
- Pressure balancing hole in ball slot
- Blow-Out Proof Stem
- Vacuum Service to 29" Hg
- Locking Handle
- ISO 9001:2015 Manufacturer
- MSS SP-110
- Lead Free

Parts & Materials

No.	Part	Material
1	Handle Sleeve	Plastic
2	Body	ASTM A351 GR CF8M (SS316)
3	Seat	RTFE 15%
4	Ball	ASTM A351 GR CF8M (SS316)
5	End Cap	CF8M Stainless Steel (316)
6	Body Seal	PTFE
7	Thrust Washer	PTFE
8	Stem Packing	PTFE
9	Packing Nut	304 Stainless Steel
10	Handle Washer	304 Stainless Steel
11	Handle Nut	304 Stainless Steel
12	Stem	ASTM A276 T-316
13	Locking Device	304 Stainless Steel
14	Handle	304 Stainless Steel



Dimensions

Size	Part Number	Weight	Ød	L	H	E
In		Lb	In	In	In	In
¼	SC201C	0.46	0.46	1.91	1.89	3.94
⅜	SC201E	0.46	0.50	1.91	1.89	3.94
½	SC201G	0.60	0.59	2.24	2.28	4.33
¾	SC201I	0.87	0.79	2.68	2.40	4.92
1	SC201K	1.45	0.98	3.15	3.03	5.71
1-¼	SC201L	2.13	1.26	3.58	3.19	6.30
1-½	SC201M	3.30	1.50	4.06	3.54	7.09
2	SC201N	5.70	1.97	4.88	4.25	7.09
2-½	SC201P	11.59	2.56	6.18	5.12	9.06
3	SC201Q	17.10	2.99	7.09	5.59	9.06

About ASC Engineered Solutions

ASC Engineered Solutions is defined by quality—in its products, services and support. With more than 1,400 employees, the company's portfolio of precision-engineered piping support, valves and connections provides products to more than 4,000 customers across industries, such as mechanical, industrial, fire protection, oil and gas, and commercial and residential construction. Its portfolio of leading brands includes ABZ Valve®, AFCON®, Anvil®, Anvil EPS, Anvil Services, Basic-PSA, Beck®, Catawissa, Cooplet®, FlexHead®, FPPI®, Golvlok®, J.B. Smith, Merit®, North Alabama Pipe, Quadrant®, SCI®, Sharpe®, SlideLOK®, SPF® and SprinkFLEX®. With headquarters in Commerce, CA, and Exeter, NH, ASC also has ISO 9001:2015 certified production facilities in PA, TN, IL, TX, AL, LA, KS, and RI.



asc-es.com

Building connections that last™

