

Building connections that last™



SCI®

Forged Carbon Steel, Stainless Steel Fittings & Outlets






Forged Carbon Steel Fittings and Outlets

2000# - 3000# - 6000#

Specifications

-  branded fittings
- Forged carbon steel fitting material conforms to ASTM SA105N, NORMALIZED
- Forged carbon steel fitting dimensions conform to ASME B16.11
- Forged carbon steel fitting dimensions listed are either minimums or set by the factory per ASME B16.11, contact SCI for exact dimensional information
- NPT threads on forged steel fittings conform to ASME B1.20.1
- Forged carbon steel socket weld inserts conform to MSS-SP-79
- Forged carbon steel unions conform to MSS-SP-83
- Forged carbon steel outlet fittings conform to MSS-SP-97
- Manufacturing facility is ISO 9001:2008
- MTR's are available upon request
- ProPak™ Packaging

3000# Stainless Fittings

Specifications

- Forged stainless steel material conforms to ASTM A182 grade F304/304L - F316/316L
- Forged stainless steel fitting dimensions conform to ASME B16.11
- NPT threads conform to ASME B1.20.1
- Socket weld fittings conform to ASME B16.11
- Forged stainless union conform to MSS SP-83
- Forged stainless outlets conform to MSS SP-97
- Forged stainless socket weld inserts conform to MSS SP-79
- Manufacturing facility is ISO 9001:2008

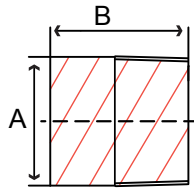


Fig. 42RP3 – Round Head Plug

Size in	Part Number	A in	B in	Master	Weight lb
1/2	42RP3004	0.84	1.75	150	0.2
3/4	42RP3006	1.06	1.75	100	0.4
1	42RP3010	1.31	2.00	80	0.7
1-1/4	42RP3012	1.69	2.00	50	1.2
1-1/2	42RP3014	1.91	2.00	30	1.7
2	42RP3020	2.38	2.50	20	3.2

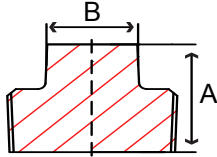


Fig. 42SP3, S4034SP & S4036SP – Square Head Plug

Size in	Part Number			A in	B in	Master	Weight lb
	Steel	304 / 304L	316 / 316L				
1/8	42SP3001	S4034SP001	S4036SP001	0.63	0.28	800	0.02
1/4	42SP3002	S4034SP002	S4036SP002	0.69	0.38	800	0.02
3/8	42SP3003	S4034SP003	S4036SP003	0.81	0.44	500	0.06
1/2	42SP3004	S4034SP004	S4036SP004	0.94	0.56	300	0.1
3/4	42SP3006	S4034SP006	S4036SP006	1.06	0.62	200	0.2
1	42SP3010	S4034SP010	S4036SP010	1.25	0.81	150	0.3
1-1/4	42SP3012	S4034SP012	S4036SP012	1.37	0.94	80	0.5
1-1/2	42SP3014	S4034SP014	S4036SP014	1.43	1.12	50	0.8
2	42SP3020	S4034SP020	S4036SP020	1.57	1.31	30	1.3
2-1/2	42SP3024	-	-	1.81	1.50	15	2.1
3	42SP3030	-	-	1.93	1.69	10	3.3
4	42SP3040	-	-	2.25	2.50	3	8.4

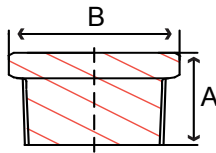


Fig. 42HP3, S4034HP & S4036HP – Hex Head Plug

Size in	Part Number			A in	B in	Master	Weight lb
	Steel	304 / 304L	316 / 316L				
1/8	42HP3001	S4034HP001	S4036HP001	0.63	0.44	800	0.02
1/4	42HP3002	S4034HP002	S4036HP002	0.69	0.62	800	0.06
3/8	42HP3003	S4034HP003	S4036HP003	0.81	0.69	600	0.08
1/2	42HP3004	S4034HP004	S4036HP004	0.87	0.88	250	0.1
3/4	42HP3006	S4034HP006	S4036HP006	1.00	1.06	150	0.3
1	42HP3010	S4034HP010	S4036HP010	1.13	1.38	100	0.4
1-1/4	42HP3012	S4034HP012	S4036HP012	1.37	1.75	35	0.9
1-1/2	42HP3014	S4034HP014	S4036HP014	1.43	2.00	25	1.3
2	42HP3020	S4034HP020	S4036HP020	1.57	2.50	20	2.2
2-1/2	42HP3024	S4034HP024	S4036HP024	1.81	3.00	8	3.9
3	42HP3030	S4034HP030	S4036HP030	1.93	3.50	6	5.7
4	42HP3040	-	-	2.25	4.62	4	11.4



Plugs and bushings are not identified by class designation. They may be used for ratings up through Class 6000 designation

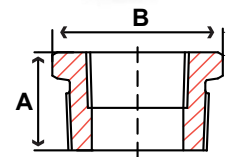
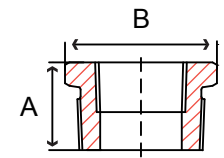


SCI ProPak™ System

FORGED

Fig. 42HB3 Carbon Steel, S4034HB & S4036HB Stainless Steel – Hex Bushing

Size in	Part Number			A in	B in	Master	Weight lb
	Steel	304 / 304L	316 / 316L				
1/4 x 1/8	42HB3002001	S4034HB002001	S4036HB002001	0.56	0.62	600	0.02
3/8 x 1/8	42HB3003001	S4034HB003001	S4036HB003001	0.66	0.69	500	0.02
3/8 x 1/4	42HB3003002	S4034HB003002	S4036HB003002	0.66	0.69	500	0.02
1/2 x 1/8	42HB3004001	S4034HB004001	S4036HB004001	0.75	0.88	400	0.06
1/2 x 1/4	42HB3004002	S4034HB004002	S4036HB004002	0.75	0.88	400	0.06
1/2 x 3/8	42HB3004003	S4034HB004003	S4036HB004003	0.75	0.88	400	0.06
3/4 x 1/8	42HB3006001	S4034HB006001	S4036HB006001	0.84	1.06	200	0.1
3/4 x 1/4	42HB3006002	S4034HB006002	S4036HB006002	0.84	1.06	200	0.1
3/4 x 3/8	42HB3006003	S4034HB006003	S4036HB006003	0.84	1.06	200	0.1
3/4 x 1/2	42HB3006004	S4034HB006004	S4036HB006004	0.84	1.06	200	0.1
1 x 1/8	42HB3010001	S4034HB010001	S4036HB010001	1.00	1.38	100	0.2
1 x 1/4	42HB3010002	S4034HB010002	S4036HB010002	1.00	1.38	100	0.2
1 x 3/8	42HB3010003	S4034HB010003	S4036HB010003	1.00	1.38	100	0.2
1 x 1/2	42HB3010004	S4034HB010004	S4036HB010004	1.00	1.38	100	0.2
1 x 3/4	42HB3010006	S4034HB010006	S4036HB010006	1.00	1.38	100	0.2
1-1/4 x 1/8	42HB3012001	S4034HB012001	S4036HB012001	1.09	1.75	70	0.8
1-1/4 x 1/4	42HB3012002	S4034HB012002	S4036HB012002	1.09	1.75	70	0.3
1-1/4 x 3/8	42HB3012003	S4034HB012003	S4036HB012003	1.09	1.75	70	0.3
1-1/4 x 1/2	42HB3012004	S4034HB012004	S4036HB012004	1.09	1.75	70	0.5
1-1/4 x 3/4	42HB3012006	S4034HB012006	S4036HB012006	1.09	1.75	70	0.5
1-1/4 x 1	42HB3012010	S4034HB012010	S4036HB012010	1.09	1.75	70	0.5
1-1/2 x 1/8	42HB3014001	S4034HB014001	S4036HB014001	1.12	2.00	50	1.3
1-1/2 x 1/4	42HB3014002	S4034HB014002	S4036HB014002	1.12	2.00	50	1.3
1-1/2 x 3/8	42HB3014003	S4034HB014003	S4036HB014003	1.12	2.00	50	1.3
1-1/2 x 1/2	42HB3014004	S4034HB014004	S4036HB014004	1.12	2.00	50	1.0
1-1/2 x 3/4	42HB3014006	S4034HB014006	S4036HB014006	1.12	2.00	50	0.8
1-1/2 x 1	42HB3014010	S4034HB014010	S4036HB014010	1.12	2.00	50	0.7
1-1/2 x 1-1/4	42HB3014012	S4034HB014012	S4036HB014012	1.12	2.00	50	0.7
2 x 1/4	42HB3020002	S4034HB020002	S4036HB020002	1.22	2.50	25	0.8
2 x 3/8	42HB3020003	S4034HB020003	S4036HB020003	1.22	2.50	25	1.8
2 x 1/2	42HB3020004	S4034HB020004	S4036HB020004	1.22	2.50	25	1.7
2 x 3/4	42HB3020006	S4034HB020006	S4036HB020006	1.22	2.50	25	1.6
2 x 1	42HB3020010	S4034HB020010	S4036HB020010	1.22	2.50	25	1.5
2 x 1-1/4	42HB3020012	S4034HB020012	S4036HB020012	1.22	2.50	25	0.9
2 x 1-1/2	42HB3020014	S4034HB020014	S4036HB020014	1.22	2.50	25	0.9
2-1/2 x 1/2	42HB3024004	S4034HB024004	S4036HB024004	1.44	3.00	15	1.1
2-1/2 x 3/4	42HB3024006	S4034HB024006	S4036HB024006	1.44	3.00	15	1.1
2-1/2 x 1	42HB3024010	S4034HB024010	S4036HB024010	1.44	3.00	15	1.1
2-1/2 x 1-1/4	42HB3024012	S4034HB024012	S4036HB024012	1.44	3.00	15	1.1
2-1/2 x 1-1/2	42HB3024014	S4034HB024014	S4036HB024014	1.44	3.00	15	1.3
2-1/2 x 2	42HB3024020	S4034HB024020	S4036HB024020	1.44	3.00	15	1.3
3 x 1/4	42HB3030002	S4034HB030002	S4036HB030002	1.53	3.50	10	5.3
3 x 1/2	42HB3030004	S4034HB030004	S4036HB030004	1.53	3.50	10	5.2
3 x 3/4	42HB3030006	S4034HB030006	S4036HB030006	1.53	3.50	10	4.6
3 x 1	42HB3030010	S4034HB030010	S4036HB030010	1.53	3.50	10	5.0
3 x 1-1/4	42HB3030012	S4034HB030012	S4036HB030012	1.53	3.50	10	3.4
3 x 1-1/2	42HB3030014	S4034HB030014	S4036HB030014	1.53	3.50	10	3.1
3 x 2	42HB3030020	S4034HB030020	S4036HB030020	1.53	3.50	10	2.7
3 x 2-1/2	42HB3030024	S4034HB030024	S4036HB030024	1.53	3.50	10	2.3
4 x 1	42HB3040010	-	-	1.75	4.62	5	9.4
4 x 1-1/4	42HB3040012	-	-	1.75	4.62	5	8.5
4 x 1-1/2	42HB3040014	-	-	1.75	4.62	5	7.6
4 x 2	42HB3040020	-	-	1.75	4.62	5	6.7
4 x 2-1/2	42HB3040024	-	-	1.75	4.62	5	5.7
4 x 3	42HB3040030	-	-	1.75	4.62	5	4.7



Plugs and bushings are not identified by class designation. They may be used for ratings up through Class 6000 designation

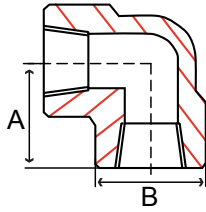


Fig. 42E 2 – 90° Elbow

Size in	Part Number	A in	B in	Master	Weight lb
1/8	42E 2001	0.81	0.88	150	0.2
1/4	42E 2002	0.81	0.88	150	0.2
3/8	42E 2003	0.97	1.00	100	0.3
1/2	42E 2004	1.12	1.31	80	0.5
3/4	42E 2006	1.31	1.50	50	0.7
1	42E 2010	1.50	1.81	30	1.1
1-1/4	42E 2012	1.75	2.19	20	1.8
1-1/2	42E 2014	2.00	2.44	15	2.3
2	42E 2020	2.38	2.97	8	3.7
2-1/2	42E 2024	3.00	3.62	4	6.9
3	42E 2030	3.38	4.31	2	10.0
4	42E 2040	4.19	5.75	1	22.5

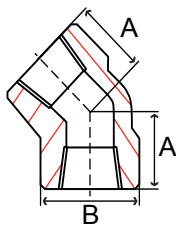


Fig. 42F 2 – 45° Elbow

Size in	Part Number	A in	B in	Master	Weight lb
1/4	42F 2002	0.69	0.88	150	0.2
3/8	42F 2003	0.75	1.00	100	0.2
1/2	42F 2004	0.88	1.31	80	0.4
3/4	42F 2006	1.00	1.50	50	0.5
1	42F 2010	1.12	1.81	30	0.9
1-1/4	42F 2012	1.31	2.19	20	1.4
1-1/2	42F 2014	1.38	2.44	15	1.8
2	42F 2020	1.69	2.97	10	3.1
2-1/2	42F 2024	2.06	3.62	6	7.6
3	42F 2030	2.50	4.31	2	11.9
4	42F 2040	3.12	5.75	2	19.7

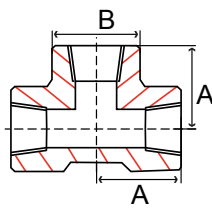


Fig. 42T 2 – Tee

Size in	Part Number	A in	B in	Master	Weight lb
1/4	42T 2002	0.81	0.88	100	0.2
3/8	42T 2003	0.97	1.00	80	0.3
1/2	42T 2004	1.12	1.31	50	0.6
3/4	42T 2006	1.31	1.50	35	0.9
1	42T 2010	1.50	1.81	20	1.5
1-1/4	42T 2012	1.75	2.19	15	2.3
1-1/2	42T 2014	2.00	2.44	10	3.0
2	42T 2020	2.38	2.97	6	4.7
2-1/2	42T 2024	3.00	3.62	3	9.0
3	42T 2030	3.38	4.31	2	13.4
4	42T 2040	4.19	5.75	1	32.4

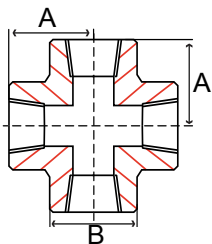


Fig. 42X 2 – Cross

Size in	Part Number	A in	B in	Master	Weight lb
3/8	42X 2003	0.97	1.00	60	0.4
1/2	42X 2004	1.12	1.31	40	0.8
3/4	42X 2006	1.31	1.50	30	1.1
1	42X 2010	1.50	1.81	20	1.6
1-1/4	42X 2012	1.75	2.19	10	2.4
1-1/2	42X 2014	2.00	2.44	6	3.5
2	42X 2020	2.38	2.97	4	5.7
2-1/2	42X 2024	3.00	3.62	3	10.4
3	42X 2030	3.38	4.31	3	15.0

3000#

Fig. 42E 3, S4034E & S4036E – 90° Elbow

Size in	Part Number			A in	B in	Master	Weight lb
	Steel	304/304L	316/316L				
1/8	42E 3001	S4034E 001	S4036E 001	0.81	0.88	100	0.2
1/4	42E 3002	S4034E 002	S4036E 002	0.97	1.00	100	0.7
3/8	42E 3003	S4034E 003	S4036E 003	1.12	1.31	80	0.6
1/2	42E 3004	S4034E 004	S4036E 004	1.31	1.50	50	0.9
3/4	42E 3006	S4034E 006	S4036E 006	1.50	1.81	25	1.5
1	42E 3010	S4034E 010	S4036E 010	1.75	2.19	20	2.2
1-1/4	42E 3012	S4034E 012	S4036E 012	2.00	2.44	15	3.1
1-1/2	42E 3014	S4034E 014	S4036E 014	2.38	2.97	6	4.8
2	42E 3020	S4034E 020	S4036E 020	2.50	3.31	5	5.4
2-1/2	42E 3024	S4034E 024	S4036E 024	3.25	4.00	2	13.2
3	42E 3030	S4034E 030	S4036E 030	3.75	4.75	1	19.5
4	42E 3040	-	-	4.50	6.00	1	32.7

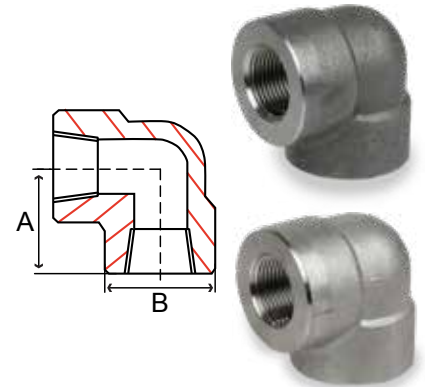


Fig. 42SE3, S4034SE & S4036SE – 90° Street Elbow

Size in	Part Number			A in	B in	C in	Master	Weight lb
	Steel	304/304L	316/316L					
1/8	42SE3001	S4034SE001	S4036SE001	0.75	0.75	1.25	200	0.2
1/4	42SE3002	S4034SE002	S4036SE002	0.88	1.00	1.25	150	0.2
3/8	42SE3003	S4034SE003	S4036SE003	1.00	1.25	1.50	80	0.4
1/2	42SE3004	S4034SE004	S4036SE004	1.12	1.50	1.69	50	0.6
3/4	42SE3006	S4034SE006	S4036SE006	1.38	1.75	1.94	30	1.1
1	42SE3010	S4034SE010	S4036SE010	1.75	2.00	2.31	20	2.2
1-1/4	42SE3012	S4034SE012	S4036SE012	2.00	2.44	2.69	15	2.4
1-1/2	42SE3014	S4034SE014	S4036SE014	2.12	2.75	2.81	8	4.4
2	42SE3020	S4034SE020	S4036SE020	2.50	3.31	3.38	5	6.4

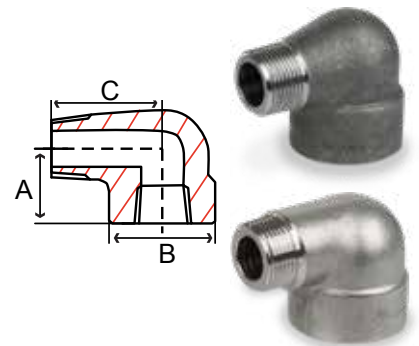


Fig. 42F 3, S4034F & S4036F – 45° Elbow

Size in	Part Number			A in	B in	Master	Weight lb
	Steel	304/304L	316/316L				
1/8	42F 3001	S4034F 001	S4036F 001	0.66	0.86	100	0.2
1/4	42F 3002	S4034F 002	S4036F 002	0.75	1.00	100	0.2
3/8	42F 3003	S4034F 003	S4036F 003	0.88	1.31	80	0.5
1/2	42F 3004	S4034F 004	S4036F 004	1.00	1.50	50	0.7
3/4	42F 3006	S4034F 006	S4036F 006	1.12	1.81	30	1.2
1	42F 3010	S4034F 010	S4036F 010	1.31	2.19	20	2.0
1-1/4	42F 3012	S4034F 012	S4036F 012	1.38	2.44	15	2.2
1-1/2	42F 3014	S4034F 014	S4036F 014	1.69	2.97	8	4.5
2	42F 3020	S4034F 020	S4036F 020	1.72	3.31	6	4.9
2-1/2	42F 3024	S4034F 024	S4036F 024	2.06	4.00	2	8.1
3	42F 3030	S4034F 030	S4036F 030	2.50	4.75	2	13.1
4	42F 3040	-	-	3.12	6.00	1	19.7

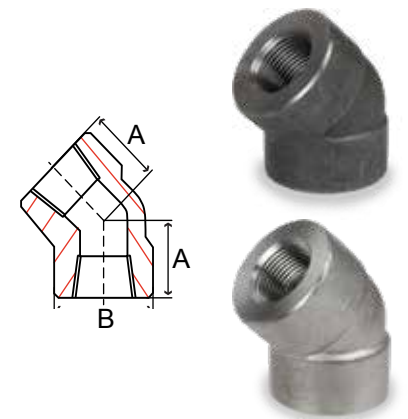
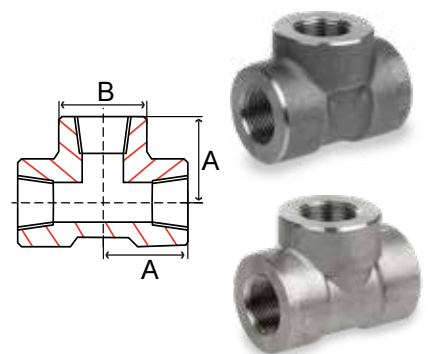


Fig. 42T 3, S4034T & S4036T – Tee

Size in	Part Number			A in	B in	Master	Weight lb
	Steel	304/304L	316/316L				
1/8	42T 3001	S4034T 001	S4036T 001	0.81	0.88	80	0.2
1/4	42T 3002	S4034T 002	S4036T 002	0.97	1.00	80	0.4
3/8	42T 3003	S4034T 003	S4036T 003	1.12	1.31	50	0.8
1/2	42T 3004	S4034T 004	S4036T 004	1.31	1.50	35	1.2
3/4	42T 3006	S4034T 006	S4036T 006	1.50	1.81	20	2.0
1	42T 3010	S4034T 010	S4036T 010	1.75	2.19	15	3.2
1-1/4	42T 3012	S4034T 012	S4036T 012	2.00	2.44	10	3.8
1-1/2	42T 3014	S4034T 014	S4036T 014	2.38	2.97	5	7.2
2	42T 3020	S4034T 020	S4036T 020	2.50	3.31	4	7.7
2-1/2	42T 3024	S4034T 024	S4036T 024	3.25	4.00	2	15.4
3	42T 3030	S4034T 030	S4036T 030	3.75	4.75	1	22.4
4	42T 3040	-	-	4.50	6.00	1	39.6



FORGED

Fig. 42RT3, S4034RT & S4036RT – Reducing Tee

Size in	Part Number			A in	B in	Master	Weight lb
	Steel	304/304L	316/316L				
1/2 X 1/4	-	S4034RT004002	S4036RT004002	1.30	1.49	20	1.8
3/4 X 1/4	-	S4034RT006002	S4036RT006002	1.50	1.81	15	2.9
3/4 X 3/8	-	S4034RT006003	S4036RT006003	1.50	1.81	15	2.9
3/4 x 1/2	42RT3006004	S4034RT006004	S4036RT006004	1.50	1.81	20	1.8
1 X 3/8	-	S4034RT010003	S4036RT010003	1.75	2.19	10	3.6
1 x 1/2	42RT3010004	S4034RT010004	S4036RT010004	1.75	2.19	15	2.9
1 x 3/4	42RT3010006	S4034RT010006	S4036RT010006	1.75	2.19	15	2.9
1-1/4 x 1/2	42RT3012004	-	-	2.00	2.44	10	3.6
1-1/4 x 3/4	42RT3012006	-	-	2.00	2.44	10	3.6
1-1/4 x 1	42RT3012010	-	-	2.00	2.44	10	3.6
1-1/2 x 1/2	42RT3014004	S4034RT014004	S4036RT014004	2.38	2.97	5	6.8
1-1/2 x 3/4	42RT3014006	S4034RT014006	S4036RT014006	2.38	2.97	5	6.8
1-1/2 x 1	42RT3014010	S4034RT014010	S4036RT014010	2.38	2.97	5	6.8
1-1/2 x 1-1/4	42RT3014012	S4034RT014012	S4036RT014012	2.38	2.97	5	6.8
2 X 3/8	-	S4034RT020003	S4036RT020003	2.50	3.31	4	7.0
2 x 1/2	42RT3020004	S4034RT020004	S4036RT020004	2.50	3.31	4	7.0
2 x 3/4	42RT3020006	S4034RT020006	S4036RT020006	2.50	3.31	4	7.0
2 x 1	42RT3020010	S4034RT020010	S4036RT020010	2.50	3.31	4	7.0
2 x 1-1/4	42RT3020012	S4034RT020012	S4036RT020012	2.50	3.31	4	7.0
2 x 1-1/2	42RT3020014	S4034RT020014	S4036RT020014	2.50	3.31	4	7.0

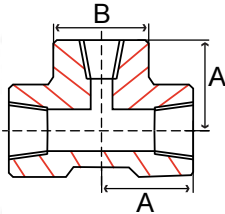


Fig. 42X 3, S4034X & S4036X – Cross

Size in	Part Number			A in	B in	Master	Weight lb
	Steel	304/304L	316/316L				
1/8	42X 3001	S4034X 001	S4036X 001	0.81	0.88	40	0.4
1/4	42X 3002	S4034X 002	S4036X 002	0.97	1.00	40	0.5
3/8	42X 3003	S4034X 003	S4036X 003	1.12	1.31	40	0.9
1/2	42X 3004	S4034X 004	S4036X 004	1.31	1.50	30	1.4
3/4	42X 3006	S4034X 006	S4036X 006	1.50	1.81	20	2.5
1	42X 3010	S4034X 010	S4036X 010	1.75	2.19	12	3.5
1-1/4	42X 3012	S4034X 012	S4036X 012	2.00	2.44	6	4.1
1-1/2	42X 3014	S4034X 014	S4036X 014	2.38	2.97	4	6.5
2	42X 3020	S4034X 020	S4036X 020	2.50	3.31	4	8.1
2-1/2	42X 3024	-	-	3.25	4.00	2	39.8
3	42X 3030	-	-	3.75	4.75	2	22.0
4	42X 3040	-	-	4.50	6.00	1	48.8

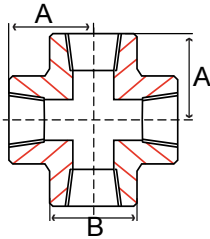
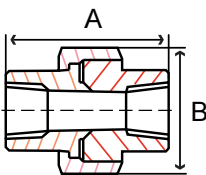


Fig. 42U 3, S4034U & S4036U – Union

Size in	Part Number			A in	B in	Master	Weight lb
	Steel	304/304L	316/316L				
1/8	42U 3001	S4034U 001	S4036U 001	1.66	1.48	70	0.6
1/4	42U 3002	S4034U 002	S4036U 002	1.66	1.48	70	0.6
3/8	42U 3003	S4034U 003	S4036U 003	1.83	1.66	70	0.5
1/2	42U 3004	S4034U 004	S4036U 004	2.00	1.93	50	0.7
3/4	42U 3006	S4034U 006	S4036U 006	2.31	2.38	35	1.0
1	42U 3010	S4034U 010	S4036U 010	2.42	2.78	20	1.6
1-1/4	42U 3012	S4034U 012	S4036U 012	2.86	3.35	14	2.2
1-1/2	42U 3014	S4034U 014	S4036U 014	3.00	3.70	10	3.5
2	42U 3020	S4034U 020	S4036U 020	3.50	4.42	5	5.3
2-1/2	42U 3024	S4034U 024	S4036U 024	4.25	5.22	3	8.0
3	42U 3030	S4034U 030	S4036U 030	4.42	6.15	2	11.6
4	42U 3040	-	-	7.00	6.20	-	27.4



FORGED

3000#

Fig. 42CP3, S4034CP & S4036CP – Coupling

Size in	Part Number			A in	B in	Master	Weight lb
	Steel	304/304L	316/316L				
1/8	42CP3001	S4034CP001	S4036CP001	1.25	0.62	250	0.1
1/4	42CP3002	S4034CP002	S4036CP002	1.38	0.75	250	0.1
3/8	42CP3003	S4034CP003	S4036CP003	1.50	0.88	200	0.1
1/2	42CP3004	S4034CP004	S4036CP004	1.88	1.12	100	0.2
3/4	42CP3006	S4034CP006	S4036CP006	2.00	1.38	70	0.4
1	42CP3010	S4034CP010	S4036CP010	2.38	1.75	35	0.9
1-1/4	42CP3012	S4034CP012	S4036CP012	2.62	2.25	20	1.7
1-1/2	42CP3014	S4034CP014	S4036CP014	3.12	2.50	15	2.3
2	42CP3020	S4034CP020	S4036CP020	3.38	3.00	10	3.0
2-1/2	42CP3024	S4034CP024	S4036CP024	3.62	3.62	5	5.0
3	42CP3030	S4034CP030	S4036CP030	4.25	4.25	3	7.4
4	42CP3040	S4034CP040	S4036CP040	4.75	5.50	2	13.8

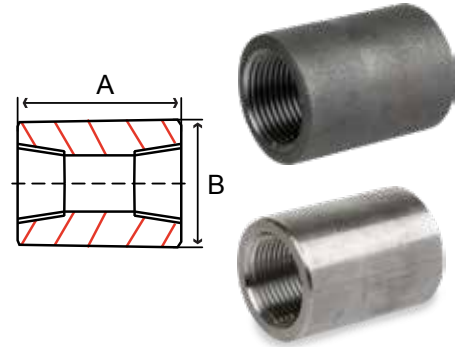


Fig. 42HP3, S4034HC & S4036HC – Half Coupling

Size in	Part Number			A in	B in	Master	Weight lb
	Steel	304/304L	316/316L				
1/8	42HC3001	S4034HC001	S4036HC001	0.62	0.62	400	0.04
1/4	42HC3002	S4034HC002	S4036HC002	0.69	0.75	800	0.04
3/8	42HC3003	S4034HC003	S4036HC003	0.75	0.88	500	0.06
1/2	42HC3004	S4034HC004	S4036HC004	0.94	1.12	250	0.1
3/4	42HC3006	S4034HC006	S4036HC006	1.00	1.38	150	0.2
1	42HC3010	S4034HC010	S4036HC010	1.17	1.75	80	0.5
1-1/4	42HC3012	S4034HC012	S4036HC012	1.31	2.25	35	0.7
1-1/2	42HC3014	S4034HC014	S4036HC014	1.56	2.50	30	1.1
2	42HC3020	S4034HC020	S4036HC020	1.67	3.00	20	1.5
2-1/2	42HC3024	S4034HC024	S4036HC024	1.81	3.62	12	2.4
3	42HC3030	S4034HC030	S4036HC030	2.12	4.25	6	3.7
4	42HC3040	-	-	2.37	5.50	4	6.8

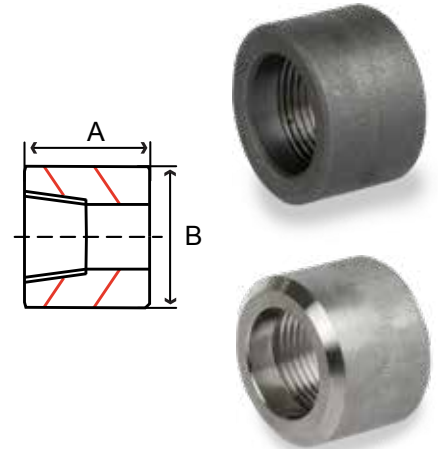
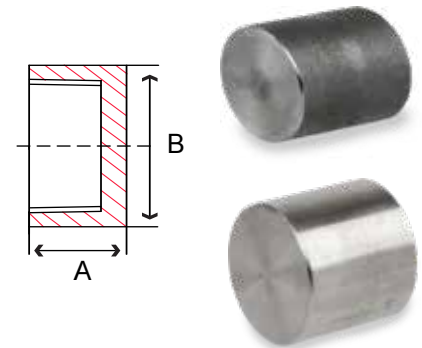


Fig. 42C 3, S4034C & S4036C – Cap

Size in	Part Number			A in	B in	Master	Weight lb
	Steel	304/304L	316/316L				
1/8	42C 3001	S4034C 001	S4036C 001	0.75	0.62	300	0.05
1/4	42C 3002	S4034C 002	S4036C 002	1.00	0.75	300	0.1
3/8	42C 3003	S4034C 003	S4036C 003	1.00	0.88	250	0.1
1/2	42C 3004	S4034C 004	S4036C 004	1.25	1.12	130	0.2
3/4	42C 3006	S4034C 006	S4036C 006	1.44	1.38	80	0.3
1	42C 3010	S4034C 010	S4036C 010	1.62	1.75	50	0.8
1-1/4	42C 3012	S4034C 012	S4036C 012	1.75	2.25	30	1.3
1-1/2	42C 3014	S4034C 014	S4036C 014	1.75	2.50	25	1.5
2	42C 3020	S4034C 020	S4036C 020	1.88	3.00	15	2.4
2-1/2	42C 3024	S4034C 024	S4036C 024	2.38	3.62	10	4.8
3	42C 3030	S4034C 030	S4036C 030	2.56	4.25	5	7.7
4	42C 3040	-	-	2.69	5.50	3	10.6



FORGED

Fig. 42RC3, S4034RC & S4036RC – Reducing Coupling



Size in	Part Number			A in	B in	Master	Weight lb
	Steel	304/304L	316/316L				
1/4 x 1/8	42RC3002001	S4034RC002001	S4036RC002001	1.38	0.75	250	0.1
3/8 x 1/8	42RC3003001	S4034RC003001	S4036RC003001	1.50	0.88	200	0.1
3/8 x 1/4	42RC3003002	S4034RC003002	S4036RC003002	1.50	0.88	200	0.1
1/2 x 1/8	42RC3004001	S4034RC004001	S4036RC004001	1.88	1.12	100	0.2
1/2 x 1/4	42RC3004002	S4034RC004002	S4036RC004002	1.88	1.12	100	0.4
1/2 x 3/8	42RC3004003	S4034RC004003	S4036RC004003	1.88	1.12	100	0.2
3/4 x 1/8	42RC3006001	-	-	2.00	1.33	70	0.4
3/4 x 1/4	42RC3006002	S4034RC006002	S4036RC006002	2.00	1.33	70	0.4
3/4 x 3/8	42RC3006003	S4034RC006003	S4036RC006003	2.00	1.33	70	0.4
3/4 x 1/2	42RC3006004	S4034RC006004	S4036RC006004	2.00	1.33	70	0.4
1 x 1/8	42RC3010001	-	-	2.38	1.75	35	0.8
1 x 1/4	42RC3010002	S4034RC010002	S4036RC010002	2.38	1.75	35	0.8
1 x 3/8	42RC3010003	S4034RC010003	S4036RC010003	2.38	1.75	35	0.8
1 x 1/2	42RC3010004	S4034RC010004	S4036RC010004	2.38	1.75	35	0.8
1 x 3/4	42RC3010006	S4034RC010006	S4036RC010006	2.38	1.75	35	0.8
1-1/4 x 1/8	42RC3012001	-	-	2.62	2.25	20	1.5
1-1/4 x 1/4	42RC3012002	S4034RC012004	S4036RC012004	2.62	2.25	20	1.5
1-1/4 x 3/8	42RC3012003	-	-	2.62	2.25	20	1.5
1-1/4 x 1/2	42RC3012004	S4034RC012004	S4036RC012004	2.62	2.25	20	1.5
1-1/4 x 3/4	42RC3012006	S4034RC012006	S4036RC012006	2.62	2.25	20	1.5
1-1/4 x 1	42RC3012010	S4034RC012010	S4036RC012010	2.62	2.25	20	1.5
1-1/2 x 1/8	42RC3014001	-	-	3.12	2.50	15	2.1
1-1/2 x 1/4	42RC3014002	S4034RC014002	S4036RC014002	3.12	2.50	15	2.1
1-1/2 x 3/8	42RC3014003	S4034RC014003	S4036RC014003	3.12	2.50	15	2.1
1-1/2 x 1/2	42RC3014004	S4034RC014004	S4036RC014004	3.12	2.50	15	2.1
1-1/2 x 3/4	42RC3014006	S4034RC014006	S4036RC014006	3.12	2.50	15	2.1
1-1/2 x 1	42RC3014010	S4034RC014010	S4036RC014010	3.12	2.50	15	2.8
1-1/2 x 1-1/4	42RC3014012	S4034RC014012	S4036RC014012	3.12	2.50	15	2.1
2 x 1/8	42RC3020001	-	-	3.38	3.00	10	3.0
2 x 1/4	42RC3020002	-	-	3.38	3.00	10	3.0
2 x 3/8	42RC3020003	-	-	3.38	3.00	10	3.0
2 x 1/2	42RC3020004	S4034RC020004	S4036RC020004	3.38	3.00	10	3.0
2 x 3/4	42RC3020006	S4034RC020006	S4036RC020006	3.38	3.00	10	3.0
2 x 1	42RC3020010	S4034RC020010	S4036RC020010	3.38	3.00	10	4.5
2 x 1-1/4	42RC3020012	S4034RC020012	S4036RC020012	3.38	3.00	10	3.3
2 x 1-1/2	42RC3020014	S4034RC020014	S4036RC020014	3.38	3.00	10	3.9
2-1/2 x 1/2	42RC3024004	-	-	3.62	3.62	5	5.7
2-1/2 x 3/4	42RC3024006	-	-	3.62	3.62	5	4.5
2-1/2 x 1	42RC3024010	-	-	3.62	3.62	5	4.5
2-1/2 x 1-1/4	42RC3024012	-	-	3.62	3.62	5	4.5
2-1/2 x 1-1/2	42RC3024014	-	-	3.62	3.62	5	4.5
2-1/2 x 2	42RC3024020	-	-	3.62	3.62	5	4.5
3 x 3/4	42RC3030006	-	-	4.25	4.25	3	6.7
3 x 1	42RC3030010	-	-	4.25	4.25	3	6.7
3 x 1-1/4	42RC3030012	-	-	4.25	4.25	3	6.7
3 x 1-1/2	42RC3030014	-	-	4.25	4.25	3	6.7
3 x 2	42RC3030020	-	-	4.25	4.25	3	6.7
3 x 2-1/2	42RC3030024	-	-	4.25	4.25	3	6.7
4 x 1-1/2	42RC3040014	-	-	4.75	5.50	2	11.9
4 x 2	42RC3040020	-	-	4.75	5.50	2	11.9
4 x 2-1/2	42RC3040024	-	-	4.75	5.50	2	11.9
4 x 3	42RC3040030	-	-	4.75	5.50	2	11.9

3000#

Fig. 52E 3, S5034E & S5036E – 90° Elbow

Size in	Part Number			A in	B in	Master	Weight lb
	Steel	304/304L	316/316L				
1/8	52E 3001	S5034E 001	S5036E 001	0.82	0.68	150	0.2
1/4	52E 3002	S5034E 002	S5036E 002	0.82	0.82	150	0.3
3/8	52E 3003	S5034E 003	S5036E 003	0.91	0.98	100	0.2
1/2	52E 3004	S5034E 004	S5036E 004	1.00	1.20	80	0.4
3/4	52E 3006	S5034E 006	S5036E 006	1.25	1.41	50	0.7
1	52E 3010	S5034E 010	S5036E 010	1.38	1.74	30	1.1
1-1/4	52E 3012	S5034E 012	S5036E 012	1.56	2.10	20	1.8
1-1/2	52E 3014	S5034E 014	S5036E 014	1.75	2.36	15	2.3
2	52E 3020	S5034E 020	S5036E 020	2.12	2.89	8	3.7
2-1/2	52E 3024	S5034E 024	S5036E 024	2.24	3.54	4	7.0
3	52E 3030	S5034E 030	S5036E 030	2.87	4.21	2	11.8
4	52E 3040	-	-	3.37	5.30	1	24.1

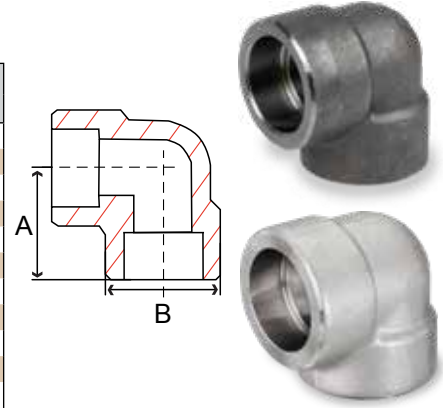


Fig. 52F 3, S5034F & S5036F – 45° Elbow

Size in	Part Number			A in	B in	Master	Weight lb
	Steel	304/304L	316/316L				
1/8	52F 3001	S5034F 001	S5036F 001	0.69	0.68	150	0.3
1/4	52F 3002	S5034F 002	S5036F 002	0.69	0.82	150	0.3
3/8	52F 3003	S5034F 003	S5036F 003	0.69	0.98	100	0.2
1/2	52F 3004	S5034F 004	S5036F 004	0.82	1.20	80	0.4
3/4	52F 3006	S5034F 006	S5036F 006	1.00	1.41	50	0.6
1	52F 3010	S5034F 010	S5036F 010	1.06	1.74	30	0.9
1-1/4	52F 3012	S5034F 012	S5036F 012	1.19	2.10	20	1.5
1-1/2	52F 3014	S5034F 014	S5036F 014	1.31	2.36	15	1.7
2	52F 3020	S5034F 020	S5036F 020	1.62	2.89	10	2.9
2-1/2	52F 3024	S5034F 024	S5036F 024	1.74	3.54	5	5.5
3	52F 3030	S5034F 030	S5036F 030	1.87	4.21	2	11.2
4	52F 3040	-	-	2.37	5.30	1	20.7

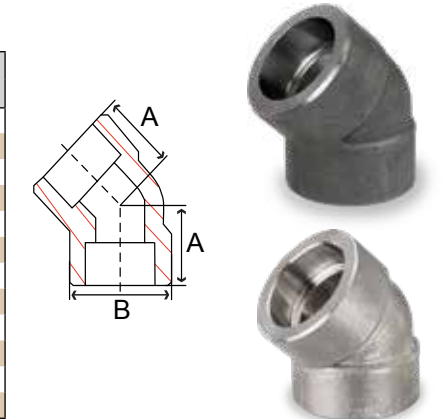


Fig. 52X 3, S5034T & S5036T – Cross

Size in	Part Number			A in	B in	Master	Weight lb
	Steel	304/304L	316/316L				
1/8	-	S5034X 001	S5036X 001	0.82	0.82	60	1.1
1/4	52X 3002	S5034X 002	S5036X 002	0.82	0.82	60	1.1
3/8	52X 3003	S5034X 003	S5036X 003	0.91	0.98	60	1.0
1/2	52X 3004	S5034X 004	S5036X 004	1.00	1.20	40	0.8
3/4	52X 3006	S5034X 006	S5036X 006	1.25	1.41	30	1.0
1	52X 3010	S5034X 010	S5036X 010	1.38	1.74	20	1.6
1-1/4	52X 3012	S5034X 012	S5036X 012	1.56	2.10	10	2.6
1-1/2	52X 3014	S5034X 014	S5036X 014	1.75	2.36	6	3.5
2	52X 3020	S5034X 020	S5036X 020	2.12	2.89	4	5.1
3	52X 3030	-	-	2.87	4.21	2	13.5
4	52X 3040	-	-	3.37	5.30	1	39.0

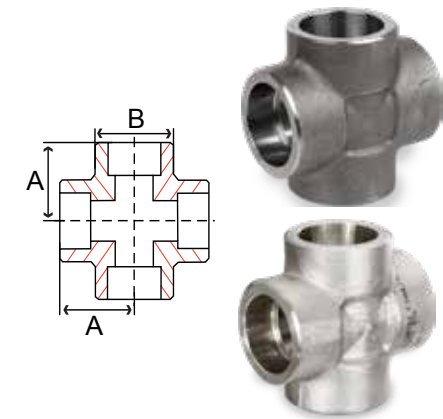
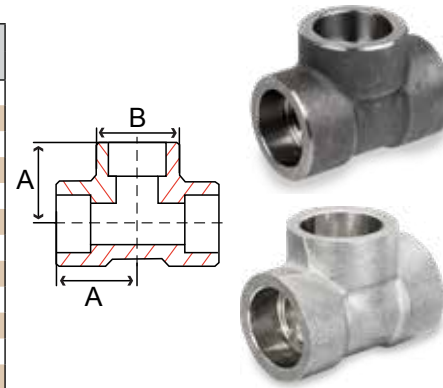


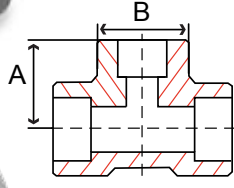
Fig. 52T 3, S5034T & S5036T – Tee

Size in	Part Number			A in	B in	Master	Weight lb
	Steel	304/304L	316/316L				
1/8	52T 3001	S5034T 001	S5036T 001	0.82	0.68	100	0.2
1/4	52T 3002	S5034T 002	S5036T 002	0.82	0.82	100	0.1
3/8	52T 3003	S5034T 003	S5036T 003	0.91	0.98	80	0.3
1/2	52T 3004	S5034T 004	S5036T 004	1.00	1.20	50	0.6
3/4	52T 3006	S5034T 006	S5036T 006	1.25	1.41	35	0.9
1	52T 3010	S5034T 010	S5036T 010	1.38	1.74	20	1.4
1-1/4	52T 3012	S5034T 012	S5036T 012	1.56	2.10	15	2.2
1-1/2	52T 3014	S5034T 014	S5036T 014	1.75	2.36	10	2.9
2	52T 3020	S5034T 020	S5036T 020	2.12	2.89	6	4.4
2-1/2	52T 3024	S5034T 024	S5036T 024	2.24	3.54	3	8.7
3	52T 3030	S5034T 030	S5036T 030	2.87	4.21	2	13.0
4	52T 3040	-	-	3.37	5.30	1	39.4



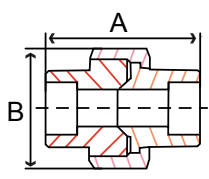
FORGED

Fig. 52RT 3, S5034RT & S5036RT – Reducing Tee



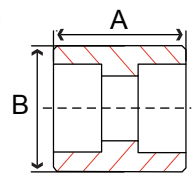
Size in	Part Number			A in	B in	Packing	Weight lb
	Steel	304/304L	316/316L				
1/2 X 1/4	52RT3004002	S5034RT004002	S5036RT004002	1.00	1.20	50	0.7
1/2 X 3/8	52RT3004003	S5034RT004003	S5036RT004003	1.00	1.20	50	0.7
3/4 X 3/8	52RT3006003	-	-	1.25	1.41	35	0.9
3/4 X 1/2	52RT3006004	S5034RT006004	S5036RT006004	1.25	1.41	35	0.9
1 X 1/4	52RT3010002	-	-	1.38	1.74	20	1.0
1 X 1/2	52RT3010004	S5034RT010004	S5036RT010004	1.38	1.74	20	1.0
1 X 3/4	52RT3010006	S5034RT010006	S5036RT010006	1.38	1.74	20	1.6
1 1/4 X 1/2	52RT3012004	-	-	1.56	2.10	15	2.6
1 1/4 X 3/4	52RT3012006	S5034RT012006	S5036RT012006	1.56	2.10	15	2.2
1 1/4 X 1	52RT3012010	S5034RT012010	S5036RT012010	1.56	2.10	15	2.2
1 1/2 X 1/2	52RT3014004	S5034RT014004	S5036RT014004	1.75	2.36	10	3.0
1 1/2 X 3/4	52RT3014006	S5034RT014006	S5036RT014006	1.75	2.36	10	3.0
1 1/2 X 1	52RT3014010	S5034RT014010	S5036RT014010	1.75	2.36	10	3.0
1 1/2 X 1 1/4	52RT3014012	S5034RT014012	S5036RT014012	1.75	2.36	10	3.0
2 X 1/2	52RT3020004	S5034RT020004	S5036RT020004	2.12	2.89	6	4.6
2 X 3/4	52RT3020006	S5034RT020006	S5036RT020006	2.12	2.89	6	4.6
2 X 1	52RT3020010	S5034RT020010	S5036RT020010	2.12	2.89	6	4.6
2 X 1 1/4	52RT3020012	S5034RT020012	S5036RT020012	2.12	2.89	6	4.6
2 X 1 1/2	52RT3020014	S5034RT020014	S5036RT020014	2.12	2.89	6	4.6
2 1/2 X 1 1/2	52RT3024014	-	-	2.24	3.54	3	8.6

Fig. 52U 3, S5034U & S5036U – Union



Size in	Part Number			A in	B in	Master	Weight lb
	Steel	304/304L	316/316L				
1/8	52U 3001	S5034U 001	S5036U 001	1.66	1.48	70	0.6
1/4	52U 3002	S5034U 002	S5036U 002	1.66	1.48	70	0.6
3/8	52U 3003	S5034U 003	S5036U 003	1.83	1.66	70	0.5
1/2	52U 3004	S5034U 004	S5036U 004	2.00	1.93	50	1.0
3/4	52U 3006	S5034U 006	S5036U 006	2.31	2.38	35	1.0
1	52U 3010	S5034U 010	S5036U 010	2.42	2.78	20	1.6
1-1/4	52U 3012	S5034U 012	S5036U 012	2.86	3.35	14	2.4
1-1/2	52U 3014	S5034U 014	S5036U 014	3.00	3.70	10	3.5
2	52U 3020	S5034U 020	S5036U 020	3.50	4.42	5	4.7
2-1/2	52U 3024	S5034U 024	S5036U 024	4.25	5.22	3	7.7
3	52U 3030	S5034U 030	S5036U 030	4.42	6.15	2	11.3

Fig. 52CP3, S5034CP & S5036CP – Coupling



Size in	Part Number			A in	B in	Master	Weight lb
	Steel	304/304L	316/316L				
1/8	52CP3001	S5034CP001	S5036CP001	1.01	0.97	350	0.1
1/4	52CP3002	S5034CP002	S5036CP002	1.01	0.87	350	0.1
3/8	52CP3003	S5034CP003	S5036CP003	1.01	1.03	250	0.1
1/2	52CP3004	S5034CP004	S5036CP004	1.14	1.27	120	0.2
3/4	52CP3006	S5034CP006	S5036CP006	1.38	1.50	80	0.3
1	52CP3010	S5034CP010	S5036CP010	1.50	1.80	50	0.6
1-1/4	52CP3012	S5034CP012	S5036CP012	1.50	2.23	30	0.9
1-1/2	52CP3014	S5034CP014	S5036CP014	1.50	2.55	25	1.3
2	52CP3020	S5034CP020	S5036CP020	2.00	2.96	15	1.8
2-1/2	52CP3024	S5034CP024	S5036CP024	2.00	3.64	10	3.0
3	52CP3030	S5034CP030	S5036CP030	2.00	4.27	6	3.9
4	52CP3040	S5034CP040	S5036CP040	2.25	5.40	4	6.2

FORGED

3000#

Fig. 52HC3, S5034HC & S5036HC – Half Coupling

Size in	Part Number			A in	B in	Master	Weight lb
	Steel	304/304L	316/316L				
1/8	-	S5034HC001	S5036HC001	1.00	0.68	400	0.2
1/4	-	S5034HC002	S5036HC002	1.00	0.86	400	0.4
3/8	-	S5034HC003	S5036HC003	1.06	1.01	300	0.6
1/2	52HC3004	S5034HC004	S5036HC004	1.26	1.27	150	0.2
3/4	52HC3006	S5034HC006	S5036HC006	1.44	1.50	80	0.4
1	52HC3010	S5034HC010	S5036HC010	1.62	1.80	50	0.6
1-1/4	52HC3012	S5034HC012	S5036HC012	1.69	2.23	30	0.7
1-1/2	52HC3014	S5034HC014	S5036HC014	1.75	2.55	25	1.4
2	52HC3020	S5034HC020	S5036HC020	2.24	2.96	15	2.4
2-1/2	52HC3024	S5034HC024	S5036HC024	2.31	3.64	10	3.5
3	52HC3030	S5034HC030	S5036HC030	2.37	4.27	6	4.6
4	52HC3040	S5034HC040	S5036HC040	2.63	5.40	4	8.1

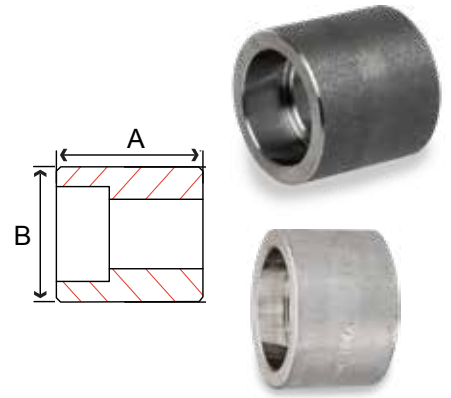
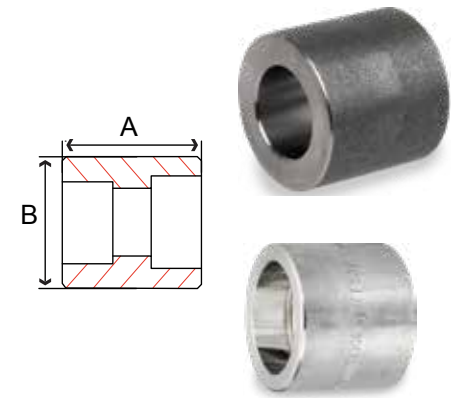


Fig. 52RC3, S5034RC & S5036RC – Reducing Coupling

Size in	Part Number			A in	B in	Master	Weight lb
	Steel	304/304L	316/316L				
1/4 x 1/8	-	S5034RC002001	S5036RC002001	0.88	0.87	350	0.1
3/8 x 1/8	-	S5034RC003001	S5036RC003001	0.88	1.03	250	0.1
3/8 x 1/4	-	S5034RC003002	S5036RC003002	0.88	1.03	250	0.1
1/2 X 1/8	-	S5034RC004001	S5036RC004001	1.14	1.27	120	0.2
1/2 x 1/4	52RC3004002	S5034RC004002	S5036RC004002	1.14	1.27	120	0.2
1/2 x 3/8	52RC3004003	S5034RC004003	S5036RC004003	1.14	1.27	120	0.2
3/4 x 1/4	52RC3006001	-	-	1.38	1.50	80	0.4
3/4 x 1/4	52RC3006002	S5034RC006002	S5036RC006002	1.38	1.50	80	0.4
3/4 x 3/8	52RC3006003	S5034RC006003	S5036RC006003	1.38	1.50	80	0.4
3/4 x 1/2	52RC3006004	S5034RC006004	S5036RC006004	1.38	1.50	80	0.4
1 x 1/4	52RC3010002	S5034RC010002	S5036RC010002	1.50	1.80	50	0.5
1 x 3/8	52RC3010003	S5034RC010003	S5036RC010003	1.50	1.80	50	0.5
1 x 1/2	52RC3010004	S5034RC010004	S5036RC010004	1.50	1.80	50	0.5
1 x 3/4	52RC3010006	S5034RC010006	S5036RC010006	1.50	1.80	50	0.5
1-1/4 x 1/2	52RC3012004	S5034RC012004	S5036RC012004	1.50	2.23	30	1.0
1-1/4 x 3/4	52RC3012006	S5034RC012006	S5036RC012006	1.50	2.23	30	1.1
1-1/4 x 1	52RC3012010	S5034RC012010	S5036RC012010	1.50	2.23	30	1.0
1-1/2 x 3/8	52RC3014003	S5034RC014003	S5036RC014003	1.50	2.55	25	2.0
1-1/2 x 1/2	52RC3014004	S5034RC014004	S5036RC014004	1.50	2.55	25	1.3
1-1/2 x 3/4	52RC3014006	S5034RC014006	S5036RC014006	1.50	2.55	25	1.3
1-1/2 x 1	52RC3014010	S5034RC014010	S5036RC014010	1.50	2.55	25	1.6
1-1/2 x 1-1/4	52RC3014012	S5034RC014012	S5036RC014012	1.50	2.55	25	1.3
2 x 1/2	52RC3020004	S5034RC020004	S5036RC020004	2.00	2.96	15	2.6
2 x 3/4	52RC3020006	S5034RC020006	S5036RC020006	2.00	2.96	15	2.3
2 x 1	52RC3020010	S5034RC020010	S5036RC020010	2.00	2.96	15	2.1
2 x 1-1/4	52RC3020012	S5034RC020012	S5036RC020012	2.00	2.96	15	2.1
2 x 1-1/2	52RC3020014	S5034RC020014	S5036RC020014	2.00	2.96	15	2.6
2-1/2 x 1/2	52RC3024004	-	-	2.00	3.64	10	4.2
2-1/2 x 3/4	52RC3024006	-	-	2.00	3.64	10	3.5
2-1/2 x 1	52RC3024010	-	-	2.00	3.64	10	3.1
2-1/2 x 1-1/4	52RC3024012	-	-	2.00	3.64	10	3.1
2-1/2 x 1-1/2	52RC3024014	-	-	2.00	3.64	10	3.1
2-1/2 x 2	52RC3024020	S5034RC024020	S5036RC024020	2.00	3.64	10	3.1
3 x 1	52RC3030010	-	-	2.00	4.27	6	4.1
3 x 1-1/4	52RC3030012	-	-	2.00	4.27	6	4.4
3 x 1-1/2	52RC3030014	S5034RC030014	S5036RC030014	2.00	4.27	6	4.1
3 x 2	52RC3030020	S5034RC030020	S5036RC030020	2.00	4.27	6	4.1
3 x 2-1/2	52RC3030024	-	-	2.00	4.27	6	4.1
4 x 1-1/2	52RC3040014	-	-	2.25	5.40	4	6.0
4 x 2	52RC3040020	-	-	2.25	5.40	4	5.9
4 x 2-1/2	52RC3040024	-	-	2.25	5.40	4	5.8
4 x 3	52RC3040030	-	-	2.25	5.40	4	5.7



FORGED

Fig. 52IN3, S5034IN & S5036IN – Insert Fitting

Size in	Part Number			A in	B in	Type	Master	Weight lb
	Steel	304/304L	316/316L					
1/4 x 1/8	-	S5034IN002001	S5036IN002001	1.26	0.87	1	300	.04
3/8 x 1/4	-	S5034IN003002	S5036IN003002	1.18	0.88	1	300	.11
1/2 x 1/4	52IN3004002	S5034IN004002	S5036IN004002	1.28	0.88	1	150	0.2
1/2 x 3/8	52IN3004003	S5034IN004003	S5036IN004003	1.28	1.02	1	150	0.2
3/4 x 1/4	52IN3006002	S5034IN006002	S5036IN006002	1.15	1.06	1	100	0.3
3/4 x 3/8	52IN3006003	S5034IN006003	S5036IN006003	1.15	1.06	2	100	0.3
3/4 x 1/2	52IN3006004	S5034IN006004	S5036IN006004	1.39	1.26	2	100	0.3
1 x 1/4	52IN3010002	S5034IN010002	S5036IN010002	1.19	1.34	2	80	0.5
1 x 3/8	52IN3010003	S5034IN010003	S5036IN010003	1.19	1.34	2	80	0.5
1 x 1/2	52IN3010004	S5034IN010004	S5036IN010004	1.19	1.34	2	80	0.3
1 x 3/4	52IN3010006	S5034IN010006	S5036IN010006	1.55	1.50	1	80	0.5
1-1/4 x 1/2	52IN3012004	S5034IN012004	S5036IN012004	1.30	1.65	2	70	0.9
1-1/4 x 3/4	52IN3012006	S5034IN012006	S5036IN012006	1.30	1.65	2	70	0.9
1-1/4 x 1	52IN3012010	S5034IN012010	S5036IN012010	1.62	1.81	1	70	0.9
1-1/2 x 3/8	52IN3014003	S5034IN014003	S5036IN014003	1.35	1.89	2	50	1.2
1-1/2 x 1/2	52IN3014004	S5034IN014004	S5036IN014004	1.35	1.89	2	50	0.9
1-1/2 x 3/4	52IN3014006	S5034IN014006	S5036IN014006	1.35	1.89	2	50	1.2
1-1/2 x 1	52IN3014010	S5034IN014010	S5036IN014010	1.35	1.89	2	50	0.6
1-1/2 x 1-1/4	52IN3014012	S5034IN014012	S5036IN014012	1.82	2.25	1	50	1.2
2 x 3/8	-	S5034IN020003	S5036IN020003	1.53	2.36	2	25	1.9
2 x 1/2	52IN3020004	S5034IN020004	S5036IN020004	1.53	2.36	2	25	1.9
2 x 3/4	52IN3020006	S5034IN020006	S5036IN020006	1.53	2.36	2	25	1.9
2 x 1	52IN3020010	S5034IN020010	S5036IN020010	1.53	2.36	2	25	1.9
2 x 1-1/4	52IN3020012	S5034IN020012	S5036IN020012	1.53	2.36	2	25	1.9
2 x 1-1/2	52IN3020014	S5034IN020014	S5036IN020014	2.00	2.50	1	25	1.9
2-1/2 x 1/2	52IN3024004	S5034IN024004	S5036IN024004	2.15	2.87	2	12	2.6
2-1/2 x 3/4	52IN3024006	S5034IN024006	S5036IN024006	2.15	2.87	2	12	2.6
2-1/2 x 1	52IN3024010	S5034IN024010	S5036IN024010	2.15	2.87	2	12	2.6
2-1/2 x 1-1/4	52IN3024012	S5034IN024012	S5036IN024012	2.15	2.87	2	12	2.6
2-1/2 x 1-1/2	52IN3024014	S5034IN024014	S5036IN024014	2.15	2.87	2	12	2.6
2-1/2 x 2	52IN3024020	S5034IN024020	S5036IN024020	2.73	2.96	1	12	2.6
3 x 1	52IN3030010	S5034IN030010	S5036IN030010	1.92	3.50	2	10	3.9
3 x 1-1/4	52IN3030012	S5034IN030012	S5036IN030012	1.92	3.50	2	10	3.9
3 x 1-1/2	52IN3030014	S5034IN030014	S5036IN030014	1.92	3.50	2	10	4.1
3 x 2	52IN3030020	S5034IN030020	S5036IN030020	1.92	3.50	2	10	4.1
3 x 2-1/2	-	S5034IN030024	S5036IN030024	2.42	3.62	2	10	3.9
4 x 2-1/2	52IN3040024	-	-	2.42	4.50	2	4	5.8

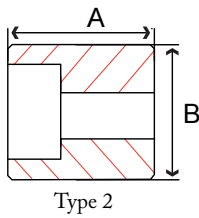
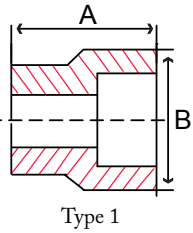
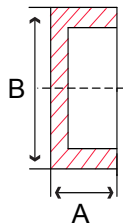


Fig. 52C 3, S5034C & S5036C – Cap

Size in	Part Number			A in	B in	Master	Weight lb
	Steel	304/304L	316/316L				
1/8	-	S5034C 001	S5036C 001	0.56	0.70	300	0.08
1/4	52C 3002	S5034C 002	S5036C 002	0.71	0.87	300	0.1
3/8	52C 3003	S5034C 003	S5036C 003	0.77	1.03	250	0.1
1/2	52C 3004	S5034C 004	S5036C 004	0.90	1.27	130	0.2
3/4	52C 3006	S5034C 006	S5036C 006	1.02	1.50	80	0.3
1	52C 3010	S5034C 010	S5036C 010	1.07	1.80	50	0.5
1-1/4	52C 3012	S5034C 012	S5036C 012	1.22	2.23	30	0.9
1-1/2	52C 3014	S5034C 014	S5036C 014	1.29	2.55	25	1.3
2	52C 3020	S5034C 020	S5036C 020	1.53	2.96	15	2.1
2-1/2	52C 3024	S5034C 024	S5036C 024	1.65	3.64	10	3.1
3	52C 3030	S5034C 030	S5036C 030	1.77	4.27	5	6.0
4	52C 3040	S5034C 040	S5036C 040	1.91	5.40	3	9.3



6000#

Fig. 42E 6 – 90° Elbow

Size in	Part Number	A in	B in	Master	Weight lb
1/2	42E 6004	1.50	1.81	25	1.7
3/4	42E 6006	1.75	2.19	20	2.8
1	42E 6010	2.00	2.44	12	3.5
1-1/4	42E 6012	2.38	2.97	5	6.4
1-1/2	42E 6014	2.50	3.31	4	8.3
2	42E 6020	3.25	4.00	2	16.1
3	42E 6030	4.13	5.69	-	36.2

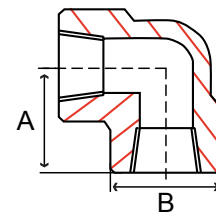


Fig. 42F 6 – 45° Elbow

Size in	Part Number	A in	B in	Master	Weight lb
1/2	42F 6004	1.12	1.81	25	1.3
3/4	42F 6006	1.31	2.19	20	2.3
1	42F 6010	1.38	2.44	12	2.7
1-1/4	42F 6012	1.69	2.97	5	4.9
1-1/2	42F 6014	1.72	3.31	4	5.5
2	42F 6020	2.06	4.00	2	9.6
2-1/2	42F 6024	2.50	4.72	-	15.4

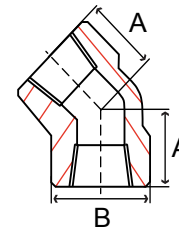


Fig. 42T 6 – Tee

Size in	Part Number	A in	B in	Master	Weight lb
1/2	42T 6004	1.50	1.81	20	2.1
3/4	42T 6006	1.75	2.19	12	3.6
1	42T 6010	2.00	2.44	10	4.7
1-1/4	42T 6012	2.38	2.97	2	7.6
1-1/2	42T 6014	2.50	3.31	2	10.3
2	42T 6020	3.25	4.00	2	17.3
2-1/2	42T 6024	3.71	4.72	1	28.8
3	42T 6030	4.13	5.70	1	49.5

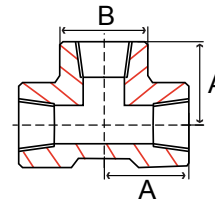


Fig. 42X 6 – Cross

Size in	Part Number	A in	B in	Master	Weight lb
1/2	42X 6004	1.50	1.81	20	2.2
3/4	42X 6006	1.75	2.19	12	3.6
1	42X 6010	2.00	2.44	6	3.8
1-1/4	42X 6012	2.38	2.97	4	8.8
2	42X 6020	3.25	4.00	1	19.8

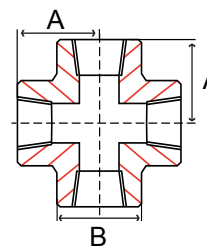
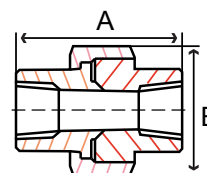


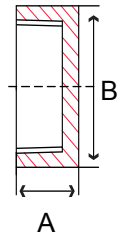
Fig. 42U 6 – Union

Size in	Part Number	A in	B in	Master	Weight lb
1-1/2	42U 6014	3.50	4.42	6	4.89
2	42U 6020	4.12	5.23	2	8.37



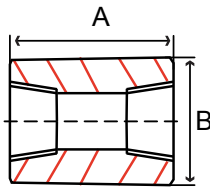
FORGED

Fig. 42C 6 – Cap



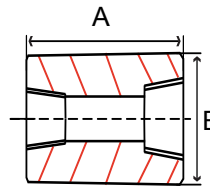
Size in	Part Number	A in	B in	Master	Weight lb
1/4	42C 6002	1.06	1.00	200	0.13
3/8	42C 6003	1.06	1.25	150	0.19
1/2	42C 6004	1.31	1.50	80	0.57
3/4	42C 6006	1.50	1.75	50	0.88
1	42C 6010	1.69	2.25	35	1.56
1-1/4	42C 6012	1.81	2.50	20	1.30
1-1/2	42C 6014	1.88	3.00	15	1.69
2	42C 6020	2.00	3.62	8	4.91

Fig. 42CP6 – Coupling



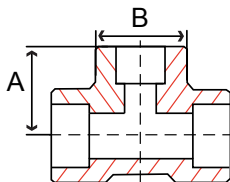
Size in	Part Number	A in	B in	Master	Weight lb
1/4	42CP6002	1.38	1.00	200	0.28
3/8	42CP6003	1.50	1.25	100	0.28
1/2	42CP6004	1.88	1.50	80	0.74
3/4	42CP6006	2.00	1.75	35	1.10
1	42CP6010	2.38	2.25	20	1.91
1-1/4	42CP6012	2.62	2.50	15	2.40
1-1/2	42CP6014	3.12	3.00	10	4.27
2	42CP6020	3.38	3.62	5	6.32

Fig. 42RC6 – Reducing Coupling



Size in	Part Number	A in	B in	Master	Weight lb
1-1/2 x 1/2	42RC6014004	3.12	3.00	10	2.64
1-1/2 x 3/4	42RC6014006	3.12	3.00	10	4.12
1-1/2 x 1	42RC6014010	3.12	3.00	10	2.18
2 x 1/2	42RC6020004	3.38	3.62	5	9.25
2 x 1	42RC6020010	3.38	3.62	5	7.49
2 x 1-1/2	42RC6020014	3.38	3.62	5	7.49

Fig. 52RT 6 – Reducing Tee



Size in	Part Number			A in	B in	Packing	Weight lb
	Steel	304/304L	316/316L				
1/2 X 3/8	52RT6004003	-	-	1.50	1.81	35	1.3
3/4 X 1/2	52RT6006004	-	-	1.75	2.19	20	2.0
1 X 1/2	52RT6010004	-	-	2.00	2.44	15	4.8
1 X 3/4	52RT6010006	-	-	2.00	2.44	15	3.5
1 1/2 X 1/2	52RT6014004	-	-	2.50	3.31	5	7.2
1 1/2 X 1 1/4	52RT6014012	-	-	2.50	3.31	5	9.7
2 X 3/4	52RT6020006	-	-	3.25	4.00	4	9.7
2 X 1 1/4	52RT6020012	-	-	3.25	4.00	4	3.7
2 X 1 1/2	52RT6020014	-	-	3.25	4.00	4	7.2

6000#

Fig. 52E 6 – 90° Elbow

Size in	Part Number	A in	B in	Master	Weight lb
1/2	52E 6004	1.13	1.33	50	0.8
3/4	52E 6006	1.38	1.62	25	1.6
1	52E 6010	1.56	1.96	20	2.5
1-1/4	52E 6012	1.75	2.31	15	3.2
1-1/2	52E 6014	2.00	2.62	6	6.1
2	52E 6020	2.24	3.27	5	7.2

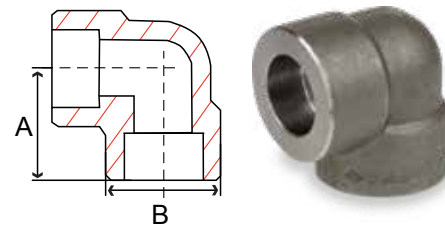


Fig. 52F 6 – 45° Elbow

Size in	Part Number	A in	B in	Master	Weight lb
1/2	52F 6004	0.88	1.33	50	0.7
3/4	52F 6006	1.06	1.62	30	1.2
1	52F 6010	1.19	1.96	20	2.0
1-1/4	52F 6012	1.31	2.31	15	2.4
1-1/2	52F 6014	1.50	2.62	8	4.4
2	52F 6020	1.74	3.27	6	4.6

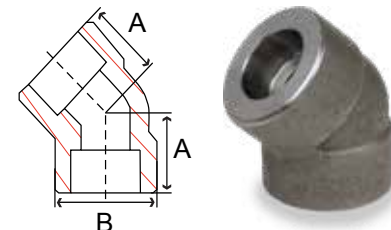


Fig. 52T 6 – Tee

Size in	Part Number	A in	B in	Master	Weight lb
1/2	52T 6004	1.13	1.33	35	1.2
3/4	52T 6006	1.38	1.62	20	2.0
1	52T 6010	1.56	1.96	15	4.7
1-1/4	52T 6012	1.75	2.31	10	4.2
1-1/2	52T 6014	2.00	2.62	5	7.4
2	52T 6020	2.24	3.27	4	8.7

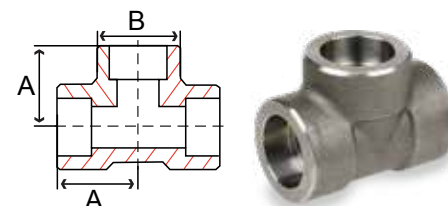


Fig. 52X 6 – Cross

Size in	Part Number	A in	B in	Master	Weight lb
1/2	52X 6004	1.13	1.33	30	1.6
3/4	52X 6006	1.38	1.62	20	2.3
1	52X 6010	1.56	1.96	12	3.9
1-1/2	52X 6014	2.00	2.62	4	8.3
2	52X 6020	2.24	3.27	2	15.8

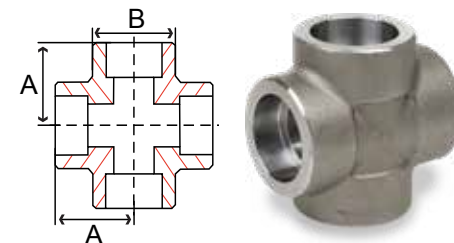


Fig. 52C 6 – Cap

Size in	Part Number	A in	B in	Master	Weight lb
1/2	52C 6004	0.81	1.33	80	0.3
3/4	52C 6006	0.81	1.62	50	0.5
1	52C 6010	0.94	1.96	35	0.7
1-1/4	52C 6012	0.94	2.31	25	1.4
1-1/2	52C 6014	1.00	2.62	15	2.0
2	52C 6020	1.19	3.27	8	3.6

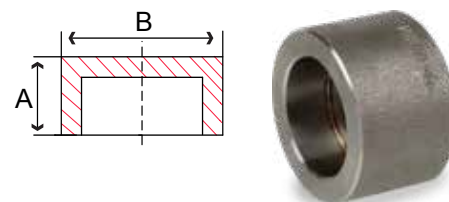


Fig. 52U 6 – Union

Size in	Part Number	A in	B in	Master	Weight lb
1/2	52U 6004	2.25	2.38	30	1.0
3/4	52U 6006	2.44	2.75	20	1.0
1	52U 6010	2.88	3.25	10	1.5
1-1/4	52U 6012	3.00	3.50	8	6.5
1-1/2	52U 6014	3.38	4.25	6	4.8
2	52U 6020	4.06	5.12	2	4.8

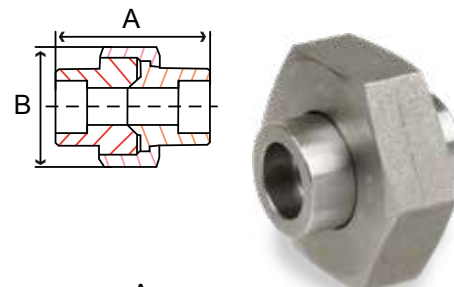
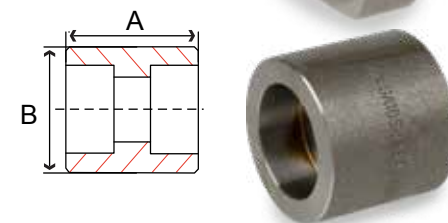


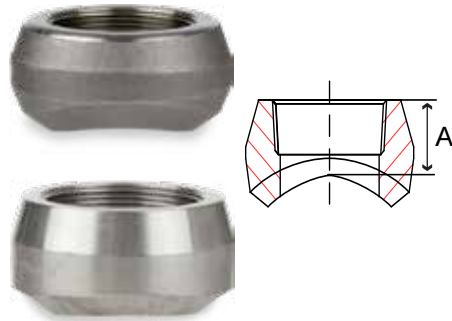
Fig. 52CP6 – Coupling

Size in	Part Number	A in	B in	Master	Weight lb
1/2	52CP6004	1.14	1.33	30	0.5
3/4	52CP6006	1.38	1.62	20	0.5
1	52CP6010	1.50	1.96	10	0.9
1-1/4	52CP6012	1.50	2.31	8	1.3
1-1/2	52CP6014	1.50	2.62	6	2.4
2	52CP6020	2.00	3.27	2	3.5



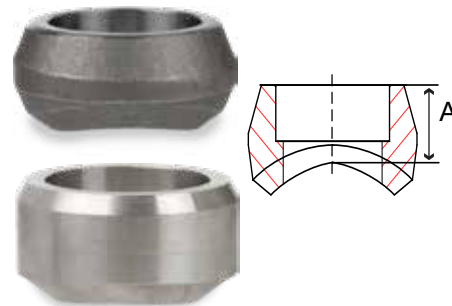
FORGED

Fig. 43T03, S4534T0 & S4536T0 – Threaded Outlet



Size in	Part Number			A in	Master	Weight lb
	Steel	304 / 304L	316 / 316L			
1/4 x 3/8 thru 36	43TO3002003360	S4534TO002	S4536TO002	0.75	200	.02
3/8 x 1/2 thru 36	-	S4534TO003	S4536TO003	0.75	150	.02
1/2 x 3/4 thru 36	43TO3004006360	S4534TO004	S4536TO004	1.00	150	0.2
3/4 x 1 thru 1-1/4	43TO3006010012	-	-	1.06	100	0.2
3/4 x 1-1/2 thru 36	43TO3006014360	S4534TO006	S4536TO006	1.06	100	0.2
1 x 1-1/4 thru 2-1/2	43TO3010012024	-	-	1.31	50	0.5
1 x 3 thru 36	43TO3010030360	S4534TO010	S4536TO010	1.31	50	0.5
1-1/4 x 1-1/2	43TO3012010004	-	-	1.31	40	0.8
1-1/4 x 2 thru 3-1/2	43TO3012020034	-	-	1.31	40	0.8
1-1/4 x 4 thru 36	43TO3012040360	S4534TO012	S4536TO012	1.31	40	0.8
1-1/2 x 2 thru 2-1/2	43TO3014020024	-	-	1.38	25	1.0
1-1/2 x 3 thru 5	43TO3014030050	-	-	1.38	25	1.0
1-1/2 x 6 thru 36	43TO3014060360	S4534TO014	S4536TO014	1.38	25	1.0
2 x 2-1/2 thru 3-1/2	43TO3020024034	-	-	1.50	10	1.7
2 x 4 thru 6	43TO3020040060	-	-	1.50	15	1.7
2 x 8 thru 36	43TO3020080360	S4534TO020	S4536TO020	1.50	15	1.7
2-1/2 x 3 thru 3-1/2	43TO3024030034	-	-	1.81	10	2.5
2-1/2 x 4 thru 5	43TO3024040050	-	-	1.81	10	2.5
2-1/2 x 6 thru 8	43TO3024060080	-	-	1.81	10	2.5
2-1/2 x 10 thru 36	43TO3024100360	S4534TO024	S4536TO024	1.81	10	2.5
3 x 3-1/2 thru 4	43TO3030034040	-	-	2.00	6	4.0
3 x 5 thru 6	43TO3030050060	-	-	2.00	6	4.0
3 x 8 thru 14	43TO3030080140	-	-	2.00	6	4.0
3 x 16 thru 36	43TO3030160360	S4534TO030	S4536TO030	2.00	6	4.0
4 x 5 thru 6	43TO3040050060	-	-	2.25	3	6.3
4 x 8 thru 10	43TO3040080100	-	-	2.25	3	6.3
4 x 12 thru 20	43TO3040120200	-	-	2.25	3	6.3
4 x 22 thru 36	43TO3040220360	-	-	2.25	3	6.3

Fig. 43S03, S4534S0 & S4536S0 – Socket Weld Outlet



Size in	Part Number			A in	Master	Weight lb
	Steel	304 / L	316 / L			
1/4 x 3/8 thru 36	-	S4534SO002	S4536SO002	0.81	200	0.1
3/8 x 1/2 thru 36	-	S4534SO003	S4536SO003	1.00	150	0.2
1/2 x 3/4 thru 36	43SO3004006360	S4534SO004	S4536SO004	1.01	150	0.2
3/4 x 1 thru 1-1/4	43SO3006010012	-	-	1.13	100	0.2
3/4 x 1-1/2 thru 36	43SO3006014360	S4534SO006	S4536SO006	1.13	100	0.2
1 x 1-1/4 thru 2-1/2	43SO3010012024	-	-	1.38	50	0.5
1 x 3 thru 36	43SO3010030360	S4534SO010	S4536SO010	1.38	50	0.5
1-1/4 x 1-1/2	43SO3012010004	-	-	1.38	40	0.8
1-1/4 x 2 thru 3-1/2	43SO3012020034	-	-	1.38	40	0.8
1-1/4 x 4 thru 36	43SO3012040360	S4534SO012	S4536SO012	1.38	40	0.8
1-1/2 x 2 thru 2-1/2	43SO3014020024	-	-	1.44	25	1.0
1-1/2 x 3 thru 5	43SO3014030050	-	-	1.44	25	1.0
1-1/2 x 6 thru 36	43SO3014060360	S4534SO014	S4536SO014	1.44	25	1.0
2 x 2-1/2 thru 3-1/2	43SO3020024034	-	-	1.56	10	1.7
2 x 4 thru 6	43SO3020040060	-	-	1.56	15	1.7
2 x 8 thru 36	43SO3020080360	S4534SO020	S4536SO020	1.56	15	1.7
2-1/2 x 3 thru 3-1/2	43SO3024030034	-	-	1.62	10	2.5
2-1/2 x 4 thru 5	43SO3024040050	-	-	1.62	10	2.5
2-1/2 x 6 thru 8	43SO3024060080	-	-	1.62	10	2.5
2-1/2 x 10 thru 36	43SO3024100360	S4534SO024	S4536SO024	1.62	10	2.5
3 x 3-1/2 thru 4	43SO3030034040	-	-	1.81	6	4.0
3 x 5 thru 6	43SO3030050060	-	-	1.81	6	4.0
3 x 8 thru 14	43SO3030080140	-	-	1.81	6	4.0
3 x 16 thru 36	43SO3030160360	S4534SO030	S4536SO030	1.81	6	4.0
4 x 5 thru 6	43SO3040050060	-	-	1.94	1	6.3
4 x 8 thru 10	43SO3040080100	-	-	1.94	1	6.3
4 x 12 thru 20	43SO3040120200	-	-	1.94	1	6.3
4 x 22 thru 36	43SO3040220360	-	-	1.94	1	6.3

FORGED

Fig. S4534W04 & S4536W04 3000# Butt Weld Outlet Sch 40 Bore

Size in	Part Number		A in	Master	Weight lb
	304 / 304L	316 / 316L			
1/4 x 3/8 thru 36	S4534WO4002	S4536WO4002	0.62	200	0.8
3/8 x 1/2 thru 36	S4534WO4003	S4536WO4003	0.75	150	0.1
1/2 x 3/4 thru 36	S4534WO4004	S4536WO4004	0.75	150	0.1
3/4 x 1 thru 36	S4534WO4006	S4536WO4006	0.88	100	0.2
1 x 2 thru 36	S4534WO4010	S4536WO4010	1.06	50	0.5
1-1/4 x 3 1/2 thru 36	S4534WO4012	S4536WO4012	1.25	40	0.8
1-1/2 x 5 thru 36	S4534WO4014	S4536WO4014	1.31	25	1.0
2 x 8 thru 36	S4534WO4020	S4536WO4020	1.50	15	1.7
2-1/2 x 10 thru 36	S4534WO4024	S4536WO4024	1.62	10	2.5
3 x 8 thru 36	S4534WO4030	S4536WO4030	1.75	6	3.8

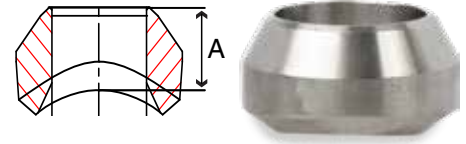
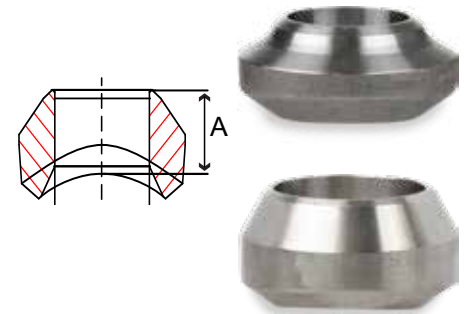


Fig. 43W03, S4534W08 & S4636W08 3000# Butt Weld Outlet Sch 80 Bore

Size in	Steel	Part Number		A in	Master	Weight lb
		304 / 304L	316 / 316L			
1/4 x 3/8 thru 36	-	S4534WO8002	S4536WO8002	0.62	200	0.8
3/8 x 1/2 thru 36	-	S4534WO8003	S4536WO8003	0.75	150	0.1
1/2 x 1	43WO3004010	-	-	0.75	150	0.3
1/2 x 1-1/4 thru 36	43WO3004012360	S4534WO8004	S4536WO8004	0.75	150	0.3
3/4 x 1 thru 2	43WO3006010020	-	-	0.88	100	0.3
3/4 x 2-1/2 thru 36	43WO3006024360	S4534WO8006	S4536WO8006	0.88	100	0.3
1 x 1-1/4 thru 1-1/2	43WO3010012014	-	-	1.06	50	0.6
1 x 2 thru 36	43WO3010020360	S4534WO8010	S4536WO8010	1.06	50	0.6
1-1/4 x 1-1/2 thru 2	43WO3012014020	-	-	1.25	40	0.9
1-1/4 x 2-1/2 thru 6	43WO3012024060	-	-	1.25	40	0.9
1-1/4 x 8 thru 36	43WO3012080360	S4534WO8012	S4536WO8012	1.25	40	0.9
1-1/2 x 2 thru 3-1/2	43WO3014020034	-	-	1.31	25	1.4
1-1/2 x 4 thru 36	43WO3014040360	S4534WO8014	S4536WO8014	1.31	25	1.4
2 x 2-1/2 thru 3	43WO3020024030	-	-	1.50	15	2.3
2 x 3-1/2 thru 6	43WO3020034060	-	-	1.50	15	2.3
2 x 8 thru 36	43WO3020080360	S4534WO8020	S4536WO8020	1.50	15	2.3
2-1/2 x 5 thru 10	43WO3024050100	-	-	1.62	10	2.9
2-1/2 x 12 thru 36	43WO3024120360	S4534WO8024	S4536WO8024	1.62	10	2.3
3 x 5 thru 6	43WO3030050060	-	-	1.75	6	4.3
3 x 8 thru 14	43WO3030080140	-	-	1.75	6	4.3
3 x 16 thru 36	43WO3030160360	S4534WO8030	S4536WO8030	1.75	6	4.3
4 x 8 thru 10	43WO3040080100	-	-	2.00	3	7.1
4 x 12 thru 20	43WO3040120200	-	-	2.00	3	7.1
4 x 22 thru 36	43WO3040220360	-	-	2.00	3	7.1



SCI ProPak™ System

FORGED

About ASC Engineered Solutions

ASC Engineered Solutions is defined by quality—in its products, services and support. With more than 1,400 employees, the company’s portfolio of precision-engineered piping support, valves and connections provides products to more than 4,000 customers across industries, such as mechanical, industrial, fire protection, oil and gas, and commercial and residential construction. Its portfolio of leading brands includes ABZ Valve®, AFCON®, Anvil®, Anvil EPS, Anvil Services, Basic-PSA, Beck®, Catawissa, Cooplet®, FlexHead®, FPPI®, Gruvlok®, J.B. Smith, Merit®, North Alabama Pipe, Quadrant®, SCI®, Sharpe®, SlideLOK®, SPF® and SprinkFLEX®. With headquarters in Commerce, CA, and Exeter, NH, ASC also has ISO 9001:2015 certified production facilities in PA, TN, IL, TX, AL, LA, KS, and RI.



asc-es.com

Building connections that last™

