

Building connections that last™



Series 9191 & Series 9192

Brass Swing Check Valve Datasheet



Brass Swing Check Valve, Threaded Series 9191



Design Features

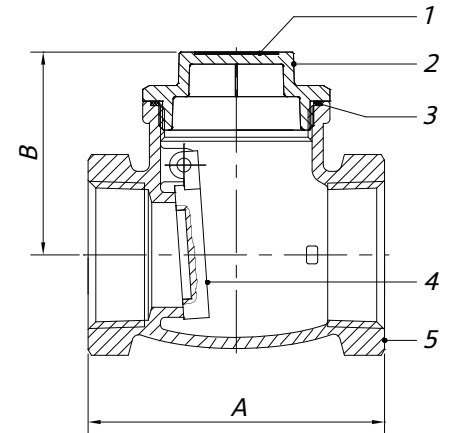
- 200 lb. CWP, 125 lb. WSP
- Cast brass body
- Forged brass disc
- Certified to NSF/ANSI 61-8
- ISO 9001:2008 manufacturer

Note: Product contains brass which does not meet federal and state requirements for drinking water.

 **WARNING:** Cancer and Reproductive Harm - www.P65Warnings.ca.gov

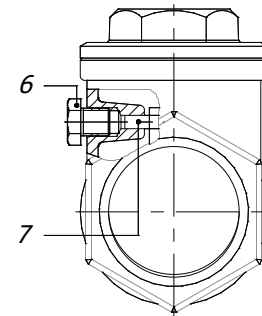
Parts & Materials

No.	Part	Material
1	Name Plate	Aluminium
2	Cap	Brass ASTM B584, C85700
3	Packing	Fibre "H"
4	Disc	Brass ASTM B584, C85700
5	Body	Brass ASTM B584, C85700
6	Bolt	Brass Alloy C36000
7	Pin	Brass Alloy C37700



Dimensions

Size	Part Number	Weight	A	B
In		Lb	In	In
3/8	01739191E	0.41	2.08	1.42
1/2	01739191G	0.41	2.08	1.42
3/4	01739191I	0.54	2.36	1.55
1	01739191K	0.74	2.62	1.77
1-1/4	01739191L	1.33	3.19	2.06
1-1/2	01739191M	1.65	3.54	2.16
2	01739191N	2.61	4.21	2.74
2-1/2	01739191P	4.50	5.14	3.10
3	01739191Q	6.60	5.77	3.80
4	01739191T	11.40	6.84	4.25



Brass Swing Check Valve, Sweat Series 9192



Design Features

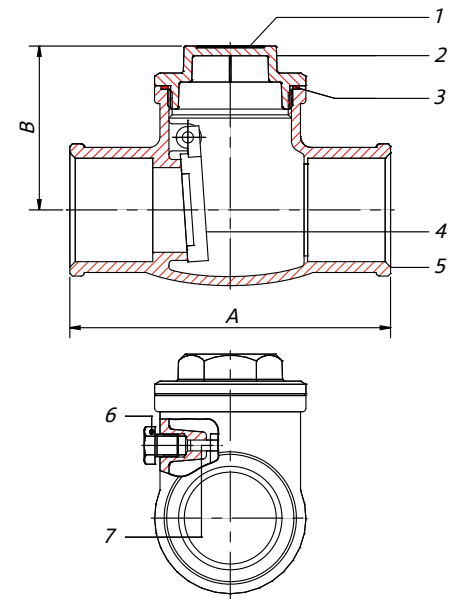
- 200 lb. CWP, 125 lb. WSP
- Cast brass body
- Forged brass disc
- Certified to NSF/ANSI 61-8
- ISO 9001:2008 manufacturer

Note: Product contains brass which does not meet federal and state requirements for drinking water.

 **WARNING:** Cancer and Reproductive Harm – www.P65Warnings.ca.gov

Parts & Materials

No.	Part	Material
1	Name Plate	Aluminium
2	Cap	Brass ASTM B584, C85700
3	Packing	Fibre "H"
4	Disc	Brass ASTM B584, C85700
5	Body	Brass ASTM B584, C85700
6	Bolt	Brass C36000
7	Pin	Brass C37700



Dimensions

Size	Part Number	Weight	A	B
In		Lb	In	In
½	01739192G	0.40	2.40	1.40
¾	01739192I	0.63	3.15	1.50
1	01739192K	0.81	3.50	1.73
1-¼	01739192L	1.30	4.15	2.07
1-½	01739192M	1.73	4.60	2.12
2	01739192N	2.64	5.47	2.67
2-½	01739192P	5.56	6.89	3.10
3	01739192Q	6.60	7.63	3.75

About ASC Engineered Solutions

ASC Engineered Solutions is defined by quality—in its products, services and support. With more than 1,400 employees, the company's portfolio of precision-engineered piping support, valves and connections provides products to more than 4,000 customers across industries, such as mechanical, industrial, fire protection, oil and gas, and commercial and residential construction. Its portfolio of leading brands includes ABZ Valve®, AFCON®, Anvil®, Anvil EPS, Anvil Services, Basic-PSA, Beck®, Catawissa, Cooplet®, FlexHead®, FPPI®, Gruklok®, J.B. Smith, Merit®, North Alabama Pipe, Quadrant®, SCI®, Sharpe®, SlideLOK®, SPF® and SprinkFLEX®. With headquarters in Commerce, CA, and Exeter, NH, ASC also has ISO 9001:2015 certified production facilities in PA, TN, IL, TX, AL, LA, KS, and RI.



asc-es.com

Building connections that last™

FC-DS-Series-9191-9192-v01 20211215

