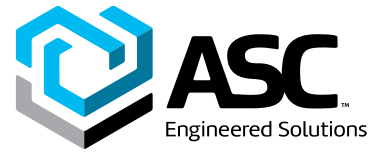


Building connections that last™



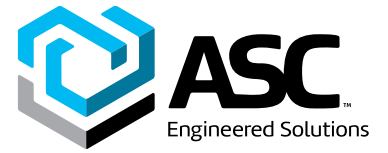
# Series 22FCW

AWWA Swing Check Valve,  
Flanged Ductile Iron with  
Lever and Weight Datasheet



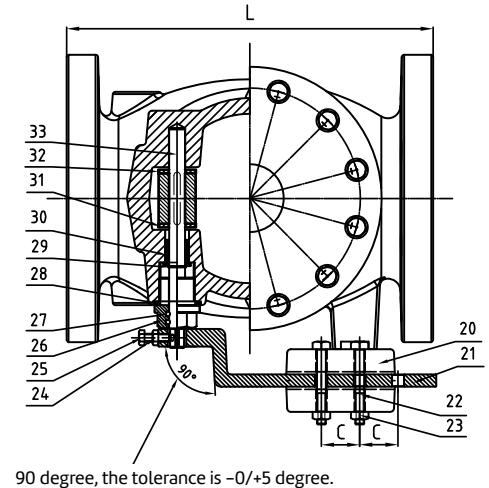
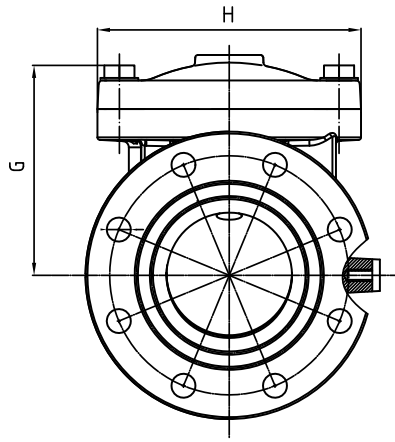
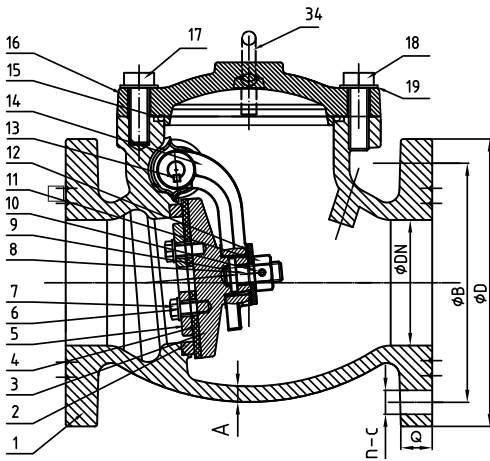
# AWWA Swing Check Valve, Flanged Ductile Iron with Lever and Weight

## Series 22FCW



### Design Features

- 300 PSI CWP (cold working pressure)
- Ductile Iron ASTM A536, Grade 65-45-12 body
- Resilient disc, brass seat
- Fusion bonded epoxy coating
- ANSI/AWWA C550
- Conforms to AWWA C508
- Meets MSS-SP-71
- Spring kits available
- NSF/ANSI 372-2011

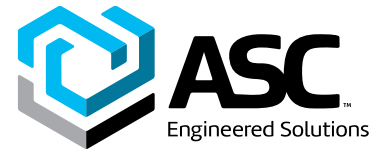


### Parts & Materials

No.	Part	Material
1	Valve Body	Ductile Iron ASTM A536, 65-45-12
2	Seat	ASTM B62 C83600
3	Disc	Ductile Iron ASTM A536, 65-45-12
4	Disc Seat Ring	EPDM
5	Retainer Washer	Ductile Iron ASTM A536, 65-45-12
6	Washer	AISI 316 Stainless Steel
7	Bolt	AISI 316 Stainless Steel
8	Stud	Bronze ASTM B62
9	Roll Pin	AISI 304 Stainless Steel
10	Roll Pin	AISI 304 Stainless Steel
11	Nut	Bronze ASTM B62
12	Washer	Bronze ASTM B62
13	Flat Key	AISI 304 Stainless Steel
14	Clapper Arm	Ductile Iron ASTM A536, 65-45-12
15	O-Ring	EPDM
16	Bonnet	Ductile Iron ASTM A536, 65-45-12
17	Bolt	AISI 316 Stainless Steel

No.	Part	Material
18	Bolt	AISI 316 Stainless Steel
19	Washer	AISI 316 Stainless Steel
20	Weight	Ductile Iron ASTM A536, 65-45-12
21	Arm	Cast Steel WCB
22	Bolt	AISI 316 Stainless Steel
23	Nut	AISI 316 Stainless Steel
24	Nut	AISI 316 Stainless Steel
25	Bolt	AISI 316 Stainless Steel
26	Seat Nut	ASTM B62 C83600
27	O-Ring	EPDM
28	Gasket	PTFE
29	Circlip	Carbon Steel
30	Shaft Sleeve Gland	Bronze ASTM B62
31	Washer	Bronze ASTM B62
32	Washer	Bronze ASTM B62
33	Hinge Pin	AISI 410 Stainless Steel
34	Eye Bolt	Carbon Steel (4" - 12")

AWWA Swing Check Valve,  
Flanged Ductile Iron with  
Lever and Weight  
**Series 22FCW**



**Dimensions**

Size	Item Number	ØDN	ØB	ØD	G	H	L	n-C	Q	A	C	Weight	ASC 10-Digit
In	#	In	In	In	In	In	In	In	In	In	In	Lb	#
2	017322FCW020	1.99	4.75	5.91	5.57	7.17	7.99	4 - 0.75	0.63	0.26	.0787 x .9843	1.41	4349004600
2-½	017322FCW025	2.56	5.50	7.09	6.18	6.89	8.50	4 - 0.75	0.69	0.31	.0787 x .9843	1.92	4349004610
3	017322FCW030	3.15	6.00	7.48	6.81	7.91	9.49	4 - 0.75	0.75	0.25	.0787 x .9843	2.31	4349004620
4	017322FCW040	3.94	7.50	9.06	6.91	8.27	11.50	8 - 0.75	0.94	0.33	.0787 x 1.2008	3.11	4349004630
6	017322FCW060	5.91	9.50	11.02	9.07	11.22	14.02	8 - 0.87	1.00	0.47	.0787 x 1.2008	6.02	4349004640
8	017322FCW080	7.87	11.75	13.58	10.26	13.50	19.49	8 - 0.87	1.12	0.59	.1181 x 1.5748	10.67	4349004650
10	017322FCW100	9.84	14.25	15.94	12.36	15.98	24.49	12 - 1.00	1.20	0.63	.1181 x 1.8898	17.68	4349004660
12	017322FCW120	11.81	17.00	19.09	13.66	17.99	27.52	12 - 1.00	1.26	0.67	.1181 x 1.8898	24.05	4349004670



### **About ASC Engineered Solutions**

ASC Engineered Solutions is defined by quality—in its products, services and support. With more than 1,400 employees, the company’s portfolio of precision-engineered piping support, valves and connections provides products to more than 4,000 customers across industries, such as mechanical, industrial, fire protection, oil and gas, and commercial and residential construction. Its portfolio of leading brands includes ABZ Valve®, AFCON®, Anvil®, Anvil EPS, Anvil Services, Basic-PSA, Beck®, Catawissa, Cooplet®, FlexHead®, FPPI®, Gruvlok®, J.B. Smith, Merit®, North Alabama Pipe, Quadrant®, SCI®, Sharpe®, SlideLOK®, SPF® and SprinkFLEX®. With headquarters in Commerce, CA, and Exeter, NH, ASC also has ISO 9001:2015 certified production facilities in PA, TN, IL, TX, AL, LA, KS, and RI.

**Note:** Responsibility for proper selection, use and maintenance of any product remains solely with the purchaser and end user. We reserve the right to modify or improve the designs or specifications of any product at any time without notice.



[asc-es.com](http://asc-es.com)

Building connections that last™

