

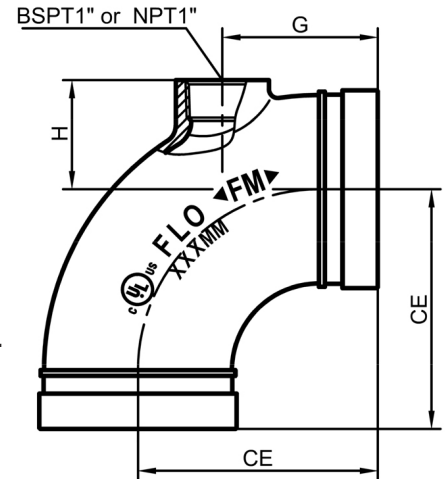
GROOVED DRAIN ELBOW

Model 2601



The Model DE1 is a grooved-end ductile iron cast elbow with an integral 1" NPT drain.

The DE1 was primarily designed for, but not limited to, used on fire protection standpipes



Pipe Material

- Carbon steel, Schedule 10, Schedule 40.

Maximum Working Pressure

- Up to 300 psi/20 bar

Function

- Joins carbon steel pipe.
- Provides a rigid pipe joint designed to restrict axial or angular movement.

CERTIFICATIONS/LISTINGS

Underwriters Laboratories,
Underwriters Laboratories Canada,
Factory Mutual.

SPECIFICATIONS - MATERIAL

Housing Sections:

Ductile Iron conforming to ASTM A 536, Grade 65-45-12.

Housing Coating:

Standard: Orange Enamel
Available:
Hot Dipped Galvanized

Item #	Nominal Size in/mm	Pipe O.D. in/mm	Max Working Pressure psi/Bar	Dimensions		
				C-E inches mm	H inches mm	G inches mm
7010054	2	2.375	300	2.27	1.75	2.0
	50	60.3	20	83	44.5	50.8
7010055	2-1/2	2.875	300	3.74	2.75	2.0
	65	73.0	20	95	69.85	50.8
7010056	3	3.5	300	4.25	2.50	2.0
	80	88.9	20	108	63.5	50.8
7010057	4	4.5	300	5.00	3.0	2.25
	100	114.3	20	127	76.2	57.15
7010058	6	6.625	300	6.50	4.0	2.50
	150	165.3	20	185	101.6	63.5

- Working Pressure is total, from all internal and external loads, based on standard weight (ANSI) steel pipe, standard roll or cut grooved in accordance with ARGCO specifications.
- The allowable pipe separation dimension shown is for system layout purposes only. ARGCO couplings are considered rigid connections and will not accommodate expansion or contraction of the piping system.
- When assembling ARGCO couplings onto end caps, take additional care to make certain the end cap is fully seated against the gasket end stop.

System No.		Location		Spec Section		Paragraph	
Submitted By		Date		Approved		Date	